

# DRIVELINE COMPONENTS CATALOG

## YOKE SHAFTS

# SPICER®



**J300P-8  
OCTOBER, 2000**

**Supersedes  
J300-P8 Dated  
January, 1997**

**Now Included...  
Spicer Life Series® Yoke Shafts!**



# HOW TO USE THIS CATALOG

To identify a yoke shaft:

- ❶ Determine the Series
- ❷ Determine the spline outside diameter and number of teeth.
- ❸ Determine the length from centerline of joint to end of spline.

Use of the above data will narrow the selection down to a specific yoke shaft with exact dimensions or a selection of yoke shafts having common dimensions.

Within those common shafts, there may be part numbers that have different lengths of spline, different distances from the end of the spline to the radius at the neck of the shaft or different maximum working angles.

Footnotes are located immediately below the yoke dimensional data, alleviating the need to look at the bottom of the page.

Series and all pertinent series dimensions appear as shown in the samples below:

## Spicer Life Series®:

M Major Diameter	Number of Teeth of Spline	K Centerline to End of Spline	L Centerline to End of Can/Tube	Angle	Style	Boot Can/ Tube Assembly Part Number	Plug Part Number	Spicer Part Number
<b>❶ SPL140 SERIES</b>		<b>E-5.028"</b>				<b>D-1.936"</b>	<b>USE KIT NO. SPL140-1X</b>	
<b>3.071-30 Involute Spline</b>								
3.071	30 I	11.811 <sup>❸</sup>	8.661	1	0	91-30-2-132M	140-68-13	140-82-21X
<b>❷ SPL170 SERIES</b>		<b>E-6.024"</b>				<b>D-2.166"</b>	<b>USE KIT SPL170X</b>	
<b>3.464-34 Involute Spline</b>								
3.464	34 I	13.850	10.335	1	0	100-30-2-156M	170-68-23	170-82-71X

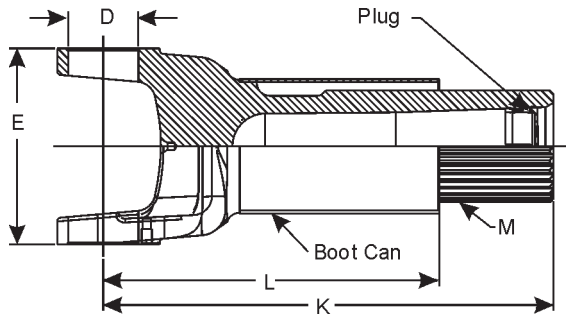
## All Others:

M Major Diameter	Number of Teeth of Spline	L Spline Length	R End of Spline to Point of Radius	Angle	K Centerline to End of Spline	Spicer Part Number
<b>❶ 1310 SERIES</b>		<b>E-3.469</b>	<b>D-1.062</b>	<b>USE KIT NO. 5-153X OR 5-200X</b>		
<b>1.250-16 Spline</b>						
1.250	16	1.656	2.938	0	4.594	2-82-211
1.250	16	1.875	3.562	16	5.125 <sup>❸</sup>	2-82-51
1.250	16	2.000	2.063	0	5.812	2-82-41
1.250	16	2.000	4.812	0	6.875	2-82-431X

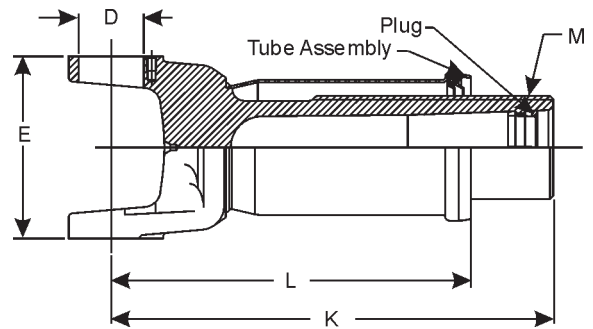
*Spline not glidecoated*

**IMPORTANT NOTICE:** The data listed herein is correct to the best of our knowledge and belief; having been compiled from reliable and official sources of information. However, WE CANNOT ASSUME ANY RESPONSIBILITY for possible error.





Style 1

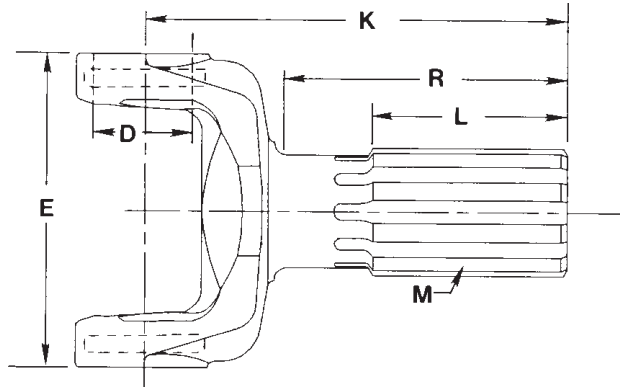


Style 2

M Major Diameter	Number of Teeth of Spline	K Centerline to End of Spline	L Centerline to End of Can/Tube	Angle	Style	Boot Can/ Tube Assembly Part Number	Plug Part Number	Spicer Part Number	
<b>SPL140 SERIES</b>					<b>E-5.028"</b>	<b>D-1.936"</b>	<b>USE KIT NO. SPL140X</b>		
<b>3.071-30 Involute Spline</b>									
3.071	30 I	11.811	8.661	1	0	91-30-2-132M	140-68-13	140-82-21X	
<b>SPL170 SERIES</b>					<b>E-6.024"</b>	<b>D-2.166"</b>	<b>USE KIT SPL170X</b>		
<b>3.464-34 Involute Spline</b>									
3.464	34 I	13.85	10.335	1	0	100-30-2-156M	170-68-23	170-82-71X	
<b>3.858-38 Involute Spline</b>									
3.858	38 I	11.811	9.193	1	0	109-30-2-132M	170-68-13	170-82-21X	
<b>SPL250 SERIES</b>					<b>E-5.984"</b>	<b>D-2.362"</b>	<b>USE KIT NO. SPL250X</b>		
<b>3.858-38 Involute Spline</b>									
3.858	38 I	11.811	8.555	1	0	109-30-2-132M	250-68-13	250-82-21X	



# YOKE SHAFTS



M Major Diameter	Number of Teeth of Spline	L Spline Length	R End of Spline to Point of Radius	Angle	K Centerline to End of Spline	Spicer Part Number
<b>1000 SERIES</b>						
<b>E-2.188</b>		<b>D-.938</b>	<b>USE KIT NO. 5-170X</b>			
<b>1.250-16 Spline</b>						
1.250	16	1.625	3.688	60	5.562	10-82-21
<b>1100 SERIES</b>						
<b>E-2.656</b>		<b>D-.938</b>	<b>USE KIT NO. 5-153X</b>			
<b>1.060-16 Spline</b>						
1.060	16	1.750	3.720	21	5.312	1-82-141
1.060	16	1.688	2.875	30	3.656	1-82-21
<b>1210 SERIES</b>						
<b>E-2.688</b>		<b>D-1.062</b>	<b>USE KIT NO. 5-443X</b>			
<b>1.062-16 Spline</b>						
1.062	16	1.750	2.594	30	3.969	2-82-1651
<b>1.250-15 Based on 16 Spline</b>						
1.250	15/16	2.000	4.125	14	6.250	2-82-1641
1.250	15/16	2.000	4.125	30	6.250	2-82-1541
						<i>Spline not glidecoated</i>
1.250	15/16	2.250	7.866	0	8.391	2-82-1731
1.250	15/16	3.250	4.125	14	6.250	2-82-1781
						<i>Spline not glidecoated</i>
<b>1310 SERIES</b>						
<b>E-3.469</b>		<b>D-1.062</b>	<b>USE KIT NO. 5-153X OR 5-200X</b>			
<b>1.156-27 Involute Spline</b>						
1.156	27 I	1.562	6.422	0	8.547	2-82-1371
<b>1.25-16 Spline</b>						
1.250	16	1.656	2.938	0	4.594	2-82-211
1.250	16	1.875	3.562	16	5.125	2-82-51
1.250	16	2.000	2.063	0	5.812	2-82-41
1.250	16	2.000	4.812	0	6.875	2-82-431X
						<i>Spline not glidecoated</i>
<b>1.297-30 Involute Spline</b>						
1.297	30 I	2.500	3.875	33	5.625	2-82-871
<b>1.375-16 Spline</b>						
1.375	16	1.922	3.219	16	4.562	2-82-11
1.375	16	2.063	3.406	9	4.625	2-82-641
1.375	16	2.250	3.844	16	5.312	2-82-21
1.375	16	2.250	6.938	17	9.375	2-82-201X
						<i>Spline not glidecoated</i>
1.375	16	2.500	5.190	0	8.000	2-82-58X
						<i>Spline not glidecoated</i>
<b>1.500-16 Spline</b>						
1.500	16	1.141	2.406	3	3.656	2-82-861

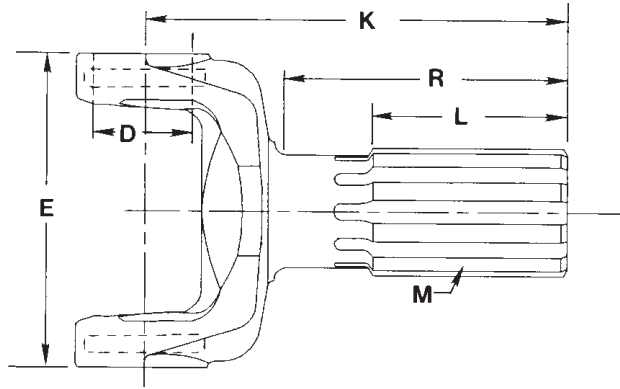




M Major Diameter	Number of Teeth of Spline	L Spline Length	R End of Spline to Point of Radius	Angle	K Centerline to End of Spline	Spicer Part Number
<b>1310 SERIES (Continued) E-3.469 D-1.062 USE KIT NO. 5-153X OR 5-200X</b>						
<b>3.000-23 Involute Spline</b>						
3.000	23 I	3.310	4.720	0	7.420	2-82-1891 <i>Material: aluminum</i>
3.000	23 I	3.310	4.720	0	7.420	2-82-1891 <i>Material: aluminum</i>
<b>1330 SERIES E-3.625 D-1.062 USE KIT NO. 5-213X</b>						
<b>1.302-30 Involute Spline</b>						
1.302	30 I	2.000	3.500	22	6.578	2-82-1491-1 <i>Bearing strap style</i>
1.302	30 I	2.000	4.340	22	7.422	2-82-1491-2 <i>Bearing strap style</i>
<b>1350 SERIES E-3.875 D-1.188 USE KIT NO. 5-178X</b>						
<b>1.175-27 Involute Spline</b>						
1.175	27 I	1.844	2.031	20	6.062	3-82-1201 <i>Wheel yoke shaft w/bearing straps</i>
<b>1.175-29 Involute Spline</b>						
1.175	29 I	1.750	3.062	20	5.531	3-82-1161 <i>Wheel yoke shaft w/bearing straps</i>
<b>1.177-27 Involute Spline</b>						
1.177	27 I	1.844	3.481	20	6.740	3-82-1141-1 <i>GM differential yoke shaft, BS style</i>
1.177	27 I	1.844	4.031	20	7.290	3-82-1141-2 <i>GM differential yoke shaft, BS style</i>
1.177	27 I	1.875	4.000	22	7.230	3-82-1001-2 <i>Bearing strap style</i>
<b>1.252-31 Involute Spline</b>						
1.252	31 I	1.440	1.719	0	4.547	3-82-1381 <i>GM differential yoke shaft, BS style</i>
1.252	31 I	1.440	1.719	0	4.547	3-82-1431
<b>1.302-30 Involute Spline</b>						
1.302	30 I	2.000	4.340	22	7.422	3-82-961-2 <i>Bearing strap style</i>
1.302	30 I	2.219	5.430	0	6.590	3-82-1151-2 <i>Wheel yoke shaft w/bearing straps</i>
1.302	30 I	2.219	5.750	0	7.360	3-82-1151-1 <i>Wheel yoke shaft w/bearing straps</i>
<b>1.500-10 Spline</b>						
1.500	10	1.500	0.000	0	5.820	3-82-981
1.500	16	1.375	2.531	17	4.188	3-82-971
1.500	16	1.750	2.781	20	4.812	3-82-71 <i>Spline not glidecoated</i>
1.500	16	2.000	3.063	20	5.188	3-82-61 <i>Spline not glidecoated</i>
1.500	16	2.000	3.781	0	5.844	3-82-1321
1.500	16	2.000	4.344	20	6.406	3-82-341
1.500	16	2.500	4.406	9	6.531	3-82-161
1.500	16	2.500	4.688	9	6.812	3-82-181
1.500	16	2.500	5.125	9	7.250	3-82-211
1.500	16	2.500	5.125	0	7.750	3-82-761X <i>Spline not glidecoated</i>
<b>1410 SERIES E-4.438 D-1.188 USE KIT NO. 5-160X</b>						
<b>1.358-21 Involute Spline</b>						
1.358	21 I	2.000	2.700	0	5.547	3-82-1291



# YOKE SHAFTS



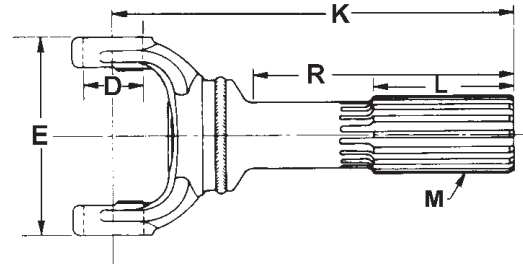
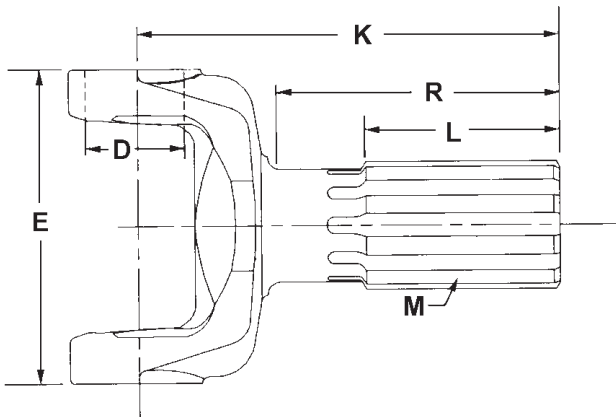
M Major Diameter	Number of Teeth of Spline	L Spline Length	R End of Spline to Point of Radius	Angle	K Centerline to End of Spline	Spicer Part Number
<b>1410 SERIES (Continued)</b>		<b>E-4.438</b>	<b>D-1.188</b>	<b>USE KIT NO. 5-160X</b>		
<b>1.500-16 Spline</b>						
1.500	16	2.000	3.250	16	4.969	3-82-1191
1.500	16	2.000	3.312	0	5.406	3-82-1301
1.500	16	2.500	4.470	16	6.312	3-82-201
1.500	16	3.000	5.250	0	7.844	3-82-168X
1.500	16	3.000	5.750	16	8.406	<i>Spline not glidecoated</i> 3-82-58X
1.500	16	3.000	6.281	0	8.969	<i>Spline not glidecoated</i> 3-82-268X
<b>1.750-16 Spline</b>						
1.750	16	1.438	2.672	9	4.547	3-82-261
1.750	16	1.438	3.531	9	5.406	3-82-811
1.750	16	3.000	4.410	0	6.340	3-82-781
<i>Spline not glidecoated</i>						
<b>1480 SERIES</b>		<b>E-4.438</b>	<b>D-1.375</b>	<b>USE KIT NO. 5-188X</b>		
<b>1.562-16 Spline</b>						
1.562	16	2.750	4.500	22	6.750	3-82-1121
<b>2.250-10 Spline</b>						
2.250	10	1.594	2.812	7	4.380	3-82-271
<b>1550 SERIES</b>		<b>E-5.250</b>	<b>D-1.375</b>	<b>USE KIT NO. 5-155X</b>		
<b>1.750-16 Spline</b>						
1.750	16	1.438	2.500	8	4.750	4-82-341
1.750	16	2.500	4.156	45	6.375	4-82-601-1
1.750	16	2.500	4.250	45	6.812	4-82-371
1.750	16	2.875	4.531	45	9.750	4-82-361-2
1.750	16	3.000	5.375	45	7.940	4-82-411-7
1.750	16	3.000	5.875	45	8.438	4-82-411-1
1.750	16	3.000	5.812	45	8.625	4-82-401
1.750	16	3.000	7.094	30	9.750	4-82-561
<b>2.000-16 Spline</b>						
2.000	16	2.250	3.594	22	5.844	4-82-511
2.000	16	3.000	4.484	8	6.120	4-82-211
<b>2.500-16 Spline</b>						
2.500	16	1.562	2.750	8	4.562	4-82-191
2.500	16	1.562	2.938	8	4.812	4-82-201
2.500	16	1.562	3.328	13	5.172	4-82-621-1
2.500	16	1.562	4.250	0	6.188	4-82-621-4
2.500	16	1.562	4.734	13	6.672	4-82-621-2



J300P-8

# YOKE SHAFTS

**SPICER®**



M Major Diameter	Number of Teeth of Spline	L Spline Length	R End of Spline to Point of Radius	Angle	K Centerline to End of Spline	Spicer Part Number
------------------------	---------------------------------	-----------------------	--	-------	--	-----------------------

**1610 SERIES E-5.312 D-1.875 USE KIT NO. 5-279X, 5-674X**

**2.000-16 Spline**

2.000	16	2.750	6.438	22	7.875	5-82-921
2.000	16	3.000	6.500	0	10.063	5-82-791-3
2.000	16	3.000	4.547	0	7.297	5-82-871
2.000	16	3.000	5.312	22	7.875	5-82-211
2.000	16	3.000	5.969	35	9.531	5-82-791-2
2.000	16	3.500	6.875	35	10.438	5-82-831-4
2.000	16	3.500	7.562	22	10.812	5-82-781
2.000	16	3.500	8.500	35	12.063	5-82-831-1
2.000	16	3.500	9.063	45	13.063	5-82-961-3
2.000	16	3.500	10.063	0	14.063	5-82-961-5
2.000	16	3.500	10.406	45	14.406	5-82-961-7
2.000	16	3.500	10.562	45	14.562	5-82-961-6
2.000	16	3.500	11.000	0	15.000	5-82-961-1
2.000	16	3.500	11.500	0	15.500	5-82-961-2

**2.500-16 Spline**

2.500	16	4.000	9.094	22	12.969	5-82-1011M <i>Metric Yokeshaft</i>
-------	----	-------	-------	----	--------	---------------------------------------

**2.672-17 Based on 18 Spline**

2.672	17/18 I	1.594	2.531	42	4.219	5-82-191
-------	---------	-------	-------	----	-------	----------

**2.672-18 Involute Spline**

2.672	18 I	1.500	2.500	12	4.125	5-82-161
2.672	18 I	1.500	5.470	0	7.530	5-82-951-1

**1710 SERIES E-6.094 (6.190 FOR HR STYLE) D-1.938 USE KIT NO. 5-280X, 5-675X**

**2.500-10 Spline**

2.500	10	4.000	8.938	45	12.281	6-82-451
-------	----	-------	-------	----	--------	----------

**2.500-15 Based on 16 Spline**

2.500	15/16	3.500	6.656	0	9.656	6-82-1331-1
-------	-------	-------	-------	---	-------	-------------

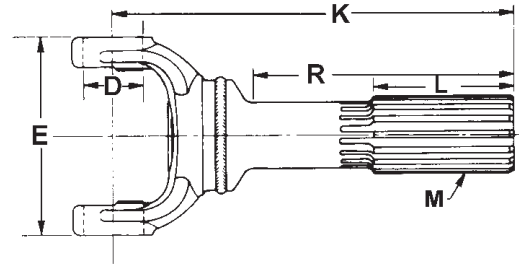
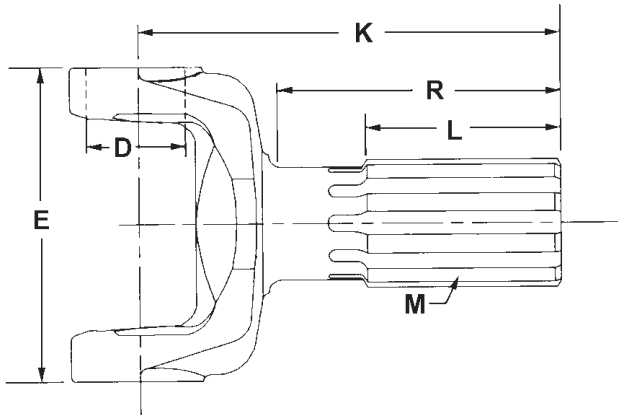
**2.500-16 Spline**

2.500	16	2.750	5.570	0	8.910	6-82-1371
2.500	16	3.000	5.406	22	8.156	6-82-1251
2.500	16	3.000	5.281	0	8.281	6-82-1321
2.500	16	3.000	5.906	0	8.650	6-82-1391
2.500	16	3.375	6.281	32	9.031	6-82-1291
2.500	16	3.500	6.688	29	10.031	6-82-1171-1
2.500	16	3.500	6.812	24	10.156	6-82-1171-11
2.500	16	3.500	6.906	45	10.656	6-82-1281-6
2.500	16	3.500	7.312	29	10.656	6-82-1171-12
2.500	16	3.500	8.656	45	10.660	6-82-1351-5



**Important: See Safety Information in General Information Section (J300P-GI)**

# YOKE SHAFTS



M Major Diameter	Number of Teeth of Spline	L Spline Length	R End of Spline to Point of Radius	Angle	K Centerline to End of Spline	Spicer Part Number
------------------------	---------------------------------	-----------------------	--	-------	--	-----------------------

**1710 SERIES (Continued) E-6.094 (6.190 FOR HR STYLE) D-1.938 USE KIT NO. 5-280X, 5-675X**

**2.500-16 Spline (Continued)**

2.500	16	3.500	7.688	29	11.031	6-82-1171-7
2.500	16	3.500	7.812	29	11.156	6-82-1171-2
2.500	16	3.500	7.625	45	11.375	6-82-1281-5
2.500	16	3.500	8.312	29	11.656	6-82-1171-13
2.500	16	3.500	7.969	45	12.094	6-82-1351-2
2.500	16	3.500	9.094	29	12.438	6-82-1171-6
2.500	16	3.500	8.844	45	12.594	6-82-1281-3
2.500	16	3.500	8.656	45	12.781	6-82-1351-3
2.500	16	3.500	9.656	24	13.000	6-82-1171-5
2.500	16	3.500	9.344	45	13.094	6-82-1281-1
2.500	16	3.500	8.969	45	13.094	6-82-1351-4
2.500	16	3.500	5.781	22	8.531	6-82-1131-2
2.500	16	3.500	6.312	0	9.063	6-82-1131-4
2.500	16	3.500	6.312	24	9.656	6-82-1171-10
2.500	16	4.000	8.094	29.5	11.531	6-82-1141
2.500	16	4.000	8.094	29	11.781	6-82-1091-12
2.500	16	4.000	8.312	29	12.000	6-82-1091-16
2.500	16	4.000	8.469	29	12.156	6-82-1091-1
2.500	16	4.000	8.594	29	12.281	6-82-1091-13
2.500	16	4.000	8.562	45	12.688	6-82-1341-1
2.500	16	4.000	12.625	45	13.156	6-82-1341-13
2.500	16	4.000	9.625	45	13.375	6-82-1061-15
2.500	16	4.000	9.250	45	13.375	6-82-1341-2
2.500	16	4.000	9.938	29	13.625	6-82-1091-9
2.500	16	4.000	9.625	45	13.750	6-82-1341-3
2.500	16	4.000	9.875	45	14.000	6-82-1341-4
2.500	16	4.000	10.469	29	14.156	6-82-1091-3
2.500	16	4.000	10.156	45	14.281	6-82-1341-5
2.500	16	4.000	10.625	45	14.750	6-82-1341-6
2.500	16	4.000	10.906	45	15.031	6-82-1341-7
2.500	16	4.000	11.250	45	15.375	6-82-1341-8
2.500	16	4.000	11.625	45	15.750	6-82-1341-9
2.500	16	4.000	11.906	45	16.031	6-82-1341-10
2.500	16	4.000	12.281	45	16.406	6-82-1341-11
2.500	16	4.000	9.562	0	16.688	6-60-275-0214
2.500	16	4.000	12.625	45	16.750	6-82-1341-12
2.500	16	4.000	9.562	0	16.875	6-60-275-0220







M Major Diameter	Number of Teeth of Spline	L Spline Length	R End of Spline to Point of Radius	Angle	K Centerline to End of Spline	Spicer Part Number
<b>1710 SERIES (Continued) E-6.094 (6.190 FOR HR STYLE) D-1.938 USE KIT NO. 5-280X, 5-675X</b>						
<b>2.500-16 Spline (Continued)</b>						
2.500	16	4.000	13.281	0	17.031	6-60-275-0225
2.500	16	4.000	13.750	0	17.500	6-60-275-0308
<b>3.250-18 Spline</b>						
3.250	18	2.000	3.875	15	6.125	6-82-691
3.250	18	2.000	4.938	15	7.250	6-82-411
3.250	18	2.000	5.563	15	7.875	6-82-1001
<b>3.250-18 Involute Spline</b>						
3.250	18 I	2.000	3.016	15	5.250	6-82-341
<b>1760 SERIES E-7.000 (7.094 FOR HR STYLE) D-1.938 USE KIT NO. 5-407X, 5-677X</b>						
<b>2.500-16 Spline</b>						
2.500	16	4.000	8.188	35	11.000	6.3-82-21-1
2.500	16	4.000	8.688	35	11.500	6.3-82-21-2
2.500	16	4.000	9.188	35	12.000	6.3-82-21-3
2.500	16	4.000	9.562	35	12.375	6.3-82-21-5
2.500	16	4.000	9.688	35	12.500	6.3-82-21-4
2.500	16	4.000	10.562	35	13.375	6.3-82-21-7
2.500	16	4.000	11.062	35	13.875	6.3-82-21-8
2.500	16	4.000	11.562	35	14.375	6.3-82-21-9
2.500	16	4.000	12.062	35	14.875	6.3-82-21-10
2.500	16	4.000	12.562	35	15.375	6.3-82-21-11
<b>1810 SERIES E-7.547 (7.643 FOR HR STYLE) D-1.938 USE KIT NO. 5-281X, 5-676X</b>						
<b>3.000-16 Spline</b>						
3.000	16	4.000	6.562	45	10.438	6.5-82-451-12
3.000	16	4.000	7.312	0	10.938	6.5-82-451-14
3.000	16	4.000	7.812	45	11.438	6.5-82-451-1
3.000	16	4.000	8.312	45	11.938	6.5-82-451-3
3.000	16	4.000	8.813	45	12.438	6.5-82-451-5
3.000	16	4.500	8.562	45	12.188	6.5-82-461-1
3.000	16	4.500	9.062	45	12.688	6.5-82-461-2
3.000	16	4.500	9.562	45	13.188	6.5-82-461-3
3.000	16	4.500	10.062	45	13.688	6.5-82-461-4
3.000	16	4.500	10.188	45	13.812	6.5-82-461-8
3.000	16	4.500	10.812	45	14.438	6.5-82-461-9
3.000	16	4.500	11.438	45	15.062	6.5-82-461-10
3.000	16	4.500	12.062	45	15.688	6.5-82-461-11
3.000	16	4.500	12.688	45	16.312	6.5-82-461-12
<b>3.248-18 Involute Spline</b>						
3.248	18 I	2.750	4.312	12	6.719	6.5-82-511-1
3.248	18 I	2.750	4.812	12	7.219	6.5-82-511-3
<b>1880 SERIES E-8.094 D-2.188 USE KIT NO. 5-308X</b>						
<b>3.000-16 Spline</b>						
3.000	16	4.500	8.531	22	12.844	8-82-161-1
3.000	16	4.500	10.531	22	14.844	8-82-161-6
3.000	16	4.500	11.031	22	15.344	8-82-161-7
<b>4.156-24 involute Spline</b>						
4.156	24 I	2.625	4.156	8	7.219	8-82-171-1



1-82-141 ..... 4	3-82-761X ..... 5	6.5-82-451-12 ..... 9
1-82-21 ..... 4	3-82-781 ..... 6	6.5-82-451-14 ..... 9
250-82-21X ..... 3	3-82-811 ..... 6	6.5-82-451-3 ..... 9
2-82-11 ..... 4	3-82-961-2 ..... 5	6.5-82-451-5 ..... 9
2-82-1371 ..... 4	3-82-971 ..... 5	6.5-82-461-1 ..... 9
2-82-1491-1 ..... 5	3-82-981 ..... 5	6.5-82-461-10 ..... 9
2-82-1491-2 ..... 5	4-82-191 ..... 6	6.5-82-461-11 ..... 9
2-82-1541 ..... 4	4-82-201 ..... 6	6.5-82-461-12 ..... 9
2-82-1641 ..... 4	4-82-211 ..... 6	6.5-82-461-2 ..... 9
2-82-1651 ..... 4	4-82-341 ..... 6	6.5-82-461-3 ..... 9
2-82-1731 ..... 4	4-82-361-2 ..... 6	6.5-82-461-4 ..... 9
2-82-1781 ..... 4	4-82-371 ..... 6	6.5-82-461-8 ..... 9
2-82-1891 ..... 5	4-82-401 ..... 6	6.5-82-461-9 ..... 9
2-82-1891 ..... 5	4-82-411-1 ..... 6	6.5-82-511-1 ..... 9
2-82-201X ..... 4	4-82-411-7 ..... 6	6.5-82-511-3 ..... 9
2-82-21 ..... 4	4-82-511 ..... 6	6-60-275-0214 ..... 8
2-82-211 ..... 4	4-82-561 ..... 6	6-60-275-0220 ..... 8
2-82-41 ..... 4	4-82-601-1 ..... 6	6-60-275-0225 ..... 9
2-82-431X ..... 4	4-82-621-1 ..... 6	6-60-275-0308 ..... 9
2-82-51 ..... 4	4-82-621-2 ..... 6	6-82-1001 ..... 9
2-82-58X ..... 4	4-82-621-4 ..... 6	6-82-1061-15 ..... 8
2-82-641 ..... 4	5-82-1011M ..... 7	6-82-1091-1 ..... 8
2-82-861 ..... 4	5-82-161 ..... 7	6-82-1091-12 ..... 8
2-82-871 ..... 4	5-82-191 ..... 7	6-82-1091-13 ..... 8
3-82-1001-2 ..... 5	5-82-211 ..... 7	6-82-1091-16 ..... 8
3-82-1121 ..... 6	5-82-781 ..... 7	6-82-1091-3 ..... 8
3-82-1141-1 ..... 5	5-82-791-2 ..... 7	6-82-1091-9 ..... 8
3-82-1141-2 ..... 5	5-82-791-3 ..... 7	6-82-1131-2 ..... 8
3-82-1151-1 ..... 5	5-82-831-1 ..... 7	6-82-1131-4 ..... 8
3-82-1151-2 ..... 5	5-82-831-4 ..... 7	6-82-1141 ..... 8
3-82-1161 ..... 5	5-82-871 ..... 7	6-82-1171-1 ..... 7
3-82-1191 ..... 6	5-82-921 ..... 7	6-82-1171-10 ..... 8
3-82-1201 ..... 5	5-82-951-1 ..... 7	6-82-1171-11 ..... 7
3-82-1291 ..... 6	5-82-961-1 ..... 7	6-82-1171-12 ..... 7
3-82-1301 ..... 6	5-82-961-2 ..... 7	6-82-1171-13 ..... 8
3-82-1321 ..... 5	5-82-961-3 ..... 7	6-82-1171-2 ..... 8
3-82-1381 ..... 5	5-82-961-5 ..... 7	6-82-1171-5 ..... 8
3-82-1431 ..... 5	5-82-961-6 ..... 7	6-82-1171-6 ..... 8
3-82-161 ..... 5	5-82-961-7 ..... 7	6-82-1171-7 ..... 8
3-82-168X ..... 6	6.3-82-21-1 ..... 9	6-82-1251 ..... 7
3-82-181 ..... 5	6.3-82-21-10 ..... 9	6-82-1281-1 ..... 8
3-82-201 ..... 6	6.3-82-21-11 ..... 9	6-82-1281-3 ..... 8
3-82-211 ..... 5	6.3-82-21-2 ..... 9	6-82-1281-5 ..... 8
3-82-261 ..... 6	6.3-82-21-3 ..... 9	6-82-1281-6 ..... 7
3-82-268X ..... 6	6.3-82-21-4 ..... 9	6-82-1291 ..... 7
3-82-271 ..... 6	6.3-82-21-5 ..... 9	6-82-1321 ..... 7
3-82-341 ..... 5	6.3-82-21-7 ..... 9	6-82-1331-1 ..... 7
3-82-58X ..... 6	6.3-82-21-8 ..... 9	6-82-1341-1 ..... 8
3-82-61 ..... 5	6.3-82-21-9 ..... 9	6-82-1341-10 ..... 8
3-82-71 ..... 5	6.5-82-451-1 ..... 9	6-82-1341-11 ..... 8



6-82-1341-12 .....	8
6-82-1341-13 .....	8
6-82-1341-2 .....	8
6-82-1341-3 .....	8
6-82-1341-4 .....	8
6-82-1341-5 .....	8
6-82-1341-6 .....	8
6-82-1341-7 .....	8
6-82-1341-8 .....	8
6-82-1341-9 .....	8
6-82-1351-2 .....	8
6-82-1351-3 .....	8
6-82-1351-4 .....	8
6-82-1351-5 .....	7
6-82-1371 .....	7
6-82-1391 .....	7
6-82-341 .....	9
6-82-411 .....	9
6-82-451 .....	7
6-82-691 .....	9
8-82-161-1 .....	9
8-82-161-6 .....	9
8-82-161-7 .....	9
8-82-171-1 .....	9
10-82-21 .....	4
140-82-21X .....	3
170-82-21X .....	3
170-82-71X .....	3



**SPICER<sup>®</sup>**



Drivetrain Service Division  
Dana Corporation  
P.O. Box 321  
Toledo, OH 43697  
Phone: 419-866-3900  
Fax: 419-866-3925

[www.dana.com](http://www.dana.com)  
[www2.dana.com/expert](http://www2.dana.com/expert)

© Dana Corporation, 2000