



Remanufactured Parts 2002



CHRYSLER

Jeep

DODGE • CHRYSLER • JEEP

T H E M O P A R D I F F E R E N C E

PRODUCT DEVELOPMENT

- DaimlerChrysler Engineering reviews Reman product specifications.
- Stringent qualification standards for cores ensure Mopar quality.
- DaimlerChrysler Engineering establishes test standards.
- Specifications include latest engineering upgrades.
- DaimlerChrysler manufacturing processes are used to establish the remanufacturing processes.

DISTRIBUTION

- Mopar's DDS transportation system ensures timely delivery to meet your customers' needs.

MARKETING SUPPORT

- Marketing/Merchandising/Promotional Material is available.

CORE RETURN

- Global Core Return System ensures a continuous supply of remanufactured parts.

WARRANTY

- Mopar Remanufactured Parts provides a 3-year/36,000-mile limited nationwide warranty on the following remanufactured powertrain parts: gasoline long and short block engine assemblies, front-wheel drive transaxles, rear-wheel drive transmissions, manual transaxles and transmissions, and torque converters. Parts and labor are covered when original installations and warranty repairs are performed by an authorized Chrysler, Dodge or Jeep® dealer. A flat labor allowance is available to the original installing Independent Repair Facilities.
- Mopar Remanufactured Parts, except for remanufactured Cummins Diesel and powertrain assemblies, are warranted for part and labor for 12 months/12,000 miles or 12 months/unlimited miles, whichever is more favorable to the customer, when original installations and warranty repairs are performed by an authorized Chrysler, Dodge or Jeep® dealer. Mopar Remanufactured Parts sold over-the-counter or wholesaled are warranted for 12 months/unlimited mileage for parts (exchange) only. There is no flat rate labor allowance available.
- Mopar Cummins-Diesel Remanufactured Parts feature a 12-month, 100,000-mile limited nationwide warranty.



WHAT'S NEW IN THE 2002 REMANUFACTURED PARTS CATALOG

- Engine component matrix.
- Updated acronym/abbreviation decoder.
- Core return policy.
- Diesel engines and components are now combined in one section.
- The latest part number supersessions have been included in this catalog.

NEW PART NUMBERS

Below are the new part numbers added to the 2002 Remanufactured Parts Catalog:

Cylinder Heads	Engines	Transmissions
R5635488	R0424857	R2119159
CV Axles	R0424867	R2119160
R2073381	R0424880	R4883729AA
R2073385	R1632488	R5013629AA
R2073388	R1635488	R5013631AA
R2073389	R2640402AA	Transaxles
R2073395	R9852422	R4549230
R2073398	Four Cylinder	R4567002
R2073654	Controllors	R4741473
R2073664	R4874190	R5014300AB
R2073703	R4874191	R5014302AA
R2073719	R4882238	R5016305AA
R2073729	Heater Control	R5016445AA
R2073802	Module	R5016446AA
R2073812	R4429546	R5016447AA
R2073973	Starters	R5016448AA
R2073978	R4428221	R5016449AA
R2073979	SBEC	R5016450AA
R2073988	R4605137	R5017921AA
R2073989	R4606175	Water Pumps
CV Axle Boots	R4741523	R4621172
R2826201	R4886469AA	R4882837
R2826202	R4887051	R5281175
R2826203	5015121AA	
R2826204	5015122AA	
R2826205	R6026870	
R2826206	R6027840	
R2826207		

GETTING TO KNOW THIS CATALOG

This edition of the Mopar Remanufactured Parts Catalog can be an important tool for you. It features multiple product groups with more than 1,600 part numbers. It represents the complete line of Mopar Remanufactured Parts, including alternators, brake master cylinders, front CV axles, starters, torque converters, engine, transmission and transaxle assemblies.

This catalog contains technical and vehicle details designed to give you accurate application information. To get the most out of this catalog, take a few minutes to read the following information:

HOW THIS CATALOG IS ARRANGED

1. **General Information:** This section gives you details about the Mopar Reman program and has a list of telephone numbers to call for technical, installation and application help. In this section you will also find a complete list of vehicle model codes and engine and transmission sales codes, to enable you to make positive identification.
2. **Chrysler/Plymouth/Dodge/Jeep®/Eagle Remanufactured Parts:** This section gives you a complete listing of Mopar Remanufactured Parts available for Chrysler, Plymouth and Dodge vehicles from 1978 through 2002 and Jeep/Eagle vehicles for 1985 through 2002 (as applicable).
3. **Diesel Components:** Refer to this section for all remanufactured diesel products.



CATALOG LISTINGS FORMAT

All major categories of remanufactured parts – i.e. brakes, driveline, etc., are arranged in alphabetical order. The part applications are organized by Passenger Car, Minivan, Truck, Imports, and Jeep. The parts are identified by model year — newest listed first, then model application and, finally, the Original Equipment (O.E.) part number, if available. Any special instructions to help you identify parts will be found alongside the part number(s).

CATALOG REPLACEMENT

This catalog contains the latest Mopar Remanufactured Parts information available and supersedes all previous catalogs. Replace your old catalog with this edition. Additional catalogs are available in limited quantities by ordering 00PM3713 (loose-leaf) or 00PM3712 (bound).

NOTE: Since the time of printing, some of the information you'll find in this catalog may have been updated. See your dealer for the latest Mopar product information.

T A B L E O F C O N T E N T S

GENERAL INFORMATION

Reman Support Materials	6
Acronyms and Abbreviations	7
Core Return Policy	8
Technical Support Hotlines	9
Sales Codes	10
New Vehicle Warranty Part Numbers	10
Model Codes	11

PRODUCT APPLICATIONS

BRAKES (Group 5)	
Calipers	15
Master Cylinders	16
RWAL & SWAL Valves	17
ABS Components	18
DRIVELINE (Group 2)	
CV Axle Assemblies	21
ELECTRICAL/ELECTRONICS (Group 8)	
Alternators	29
Distributors	33
Window Lift Motors	35
Window Wiper Motors	36
Backlite Window Wiper Motors	37
Starters	38
Four Cylinder Controllers	42
Single Board Engine Controllers (SBEC)	43
Single Module Engine Controllers (SMEC)	50
FENIX	52
Logic Modules	53
Power Modules	53
Spark Control Computers	54
EATXII	58
Jeep® Transmission Controllers	59
ABS Electronic Controllers	60
ENGINES/ENGINE PARTS (Groups 7, 9, 25)	
Long Blocks	63
Short Blocks	84
Cylinder Heads	86
Turbochargers	93
Water Pumps	94
FUEL SYSTEMS (Group 14)	
Electric Fuel Pumps	99

HEATING/AIR CONDITIONING (Group 24)

A/C Clutch and Coil Kits	103
Blower Motors	104
A/C Compressors	105

STEERING PARTS (Group 19)

Power Steering Pumps	111
Rack & Pinions	113
Power Steering Gears	118

TRANSMISSIONS/TRANSAXLES/ COMPONENTS/TRANSFER CASES (Group 21)

Automatic Transaxles	121
Automatic Transmissions	125
Manual Transaxles	128
Manual Transmissions	128
Torque Converters	129
Valve Bodies	131
Front Pumps	131
Transfer Cases	132

DIESEL ENGINE ASSEMBLIES/ ENGINE COMPONENTS AND PRODUCTS

Cummins-Diesel Engines	137
Cummins-Diesel Connecting Rods	142
Cummins-Diesel Crankshafts	143
Cummins-Diesel Cylinder Heads	143
Cummins-Diesel Lube Pump Kits	143
Cummins-Diesel Turbochargers	144
Cummins-Diesel Injector Pumps	145
Cummins-Diesel Injectors	145
Diesel Alternators	146
Diesel A/C Compressors	146
Cummins-Diesel Water Pumps	147
Diesel Water Pumps	147
Diesel Power Steering Pumps	147
Cummins-Diesel Starters	148
Diesel Fuel Pumps	149
Diesel Transmissions	150
Diesel Torque Converters	151
Diesel Transfer Cases	152
Cummins-Diesel Electronic Control Modules	153
Diesel Single Board Engine Controllers (SBEC)	154
Cummins-Diesel Heater Control Module	154

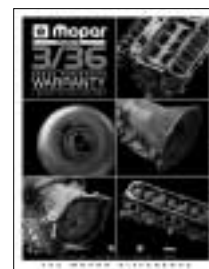
REMAN SUPPORT MATERIALS ARE AVAILABLE TO ASSIST YOU. ORDER THE FOLLOWING ITEMS OVER GOP:

- 2002 Mopar Remanufactured Parts Application Catalogs are available in limited quantities by ordering 00PM3713 (loose-leaf) and 00PM3712 (bound).
- Mopar Remanufactured Parts provides a 3-year/36,000-mile Limited Nationwide Warranty on the following remanufactured powertrain assemblies: gasoline long and short block engine assemblies, front-wheel-drive transaxles, rear-wheel-drive transmissions, manual transaxles and transmissions, and torque converters. Parts and labor are covered when original installations and warranty repairs are performed by an authorized Chrysler, Dodge or Jeep® dealer. A flat-rate labor allowance is available to the original installing Independent Repair Facility.



Facilities Registration Cards	00PM3492	Pack of 10
Policy Statement	00PM3493	Pack of 10
Wholesale Flyer	00PM3494	Pack of 10
Retail Flyer	00PM3495	Pack of 10
Dealer Procedure Guide	00PM3496	1 each

- Wholesale compensation is available for most product lines from 5% to 20%, depending upon the commodity.
- Purchases of Reman CV Axles, Axle Boot Kits, Rack & Pinion Steering Assemblies, Windshield Wiper Motors, Window Lift Motors and Rear Wiper Motors can be combined to meet the Reman minimum purchase qualifier of \$600. Points will be awarded according to the revised schedule. Award points are based on purchases shipped and billed during the quarter. For example, if a dealer purchases a total of \$30,000 of Mopar Pro Points qualifying parts during a quarter: \$30,000 (\$125) = 240 points. Dealerships will be mailed a notification of their purchase status each month with total purchases provided at the end of each quarter. **TAKE ADVANTAGE OF MOPAR PRO POINTS ... INCREASE YOUR SALES AND MARKET PENETRATION!** Note: Only these six product categories are included. To check your award points status at any time during the quarter, call the Mopar Pro Points Hotline at 1-800-525-4165. Mopar Pro Point parts and Reman purchases cannot be combined to attain qualifying or total purchase amounts.



PURCHASE LEVELS

<u>Total \$ Purchased Quarterly</u>	<u>Award Points Earned</u>
\$600-\$9,999	1 point for each \$200 purchased
\$10,000-\$29,999	1 point for each \$150 purchased
\$30,000-Plus	1 point for each \$125 purchased

- The Global Core Return System (GCRS) is a comprehensive core management program that integrates the return, processing and management of cores into one system. Dealers will find their control of cores simplified by the GCRS' improved trackability and the one-time core credit accounting process.



GCRS Quick-Reference Guide	00PM3510	1 each
GCRS Flowchart	00PM3575	1 each
Core Return Envelope (81-670-0408)	00PM1262	Pack of 100
Warranty Return Envelope	00PM1568	Pack of 100
DPSS Return Envelope	00PM1569	Pack of 100
MRA Return Envelope	00PM2943	Pack of 100
Engine Core ID Tag (81-610-1221)	Call DMM or 1-800-84-MOPAR	
Regular Core ID Tag (81-610-1233)	Call DMM or 1-800-84-MOPAR	

- Mopar's Returnable Container Program (RCP) assists dealers with transporting engines and transmissions. Easy to store, environmentally friendly containers are used throughout the delivery and core return process.



RCP Overview Brochure	00PM3166	1 each
-----------------------	----------	--------

A C R O N Y M S A N D A B B R E V I A T I O N S

BELOW ARE COMMON ACRONYMS AND ABBREVIATIONS YOU WILL FIND THROUGHOUT THIS CATALOG:

ACRONYM	DESCRIPTION
ABS	Antilock Brake System
ACR	American Club Racing
AIS	Air Speed Motor
AT	Automatic Transmission/Transaxle
AWAL	All Wheel Antilock
AWD	All Wheel Drive
BBL	Barrel
BUX	Built Up Export
CARB	California Air Resource Board
CCD	Chrysler Collision Detection Bus
CID	Cubic Inch Displacement
CNG	Compressed Natural Gas
CPL	Control Parts Listing
DOHC	Dual Overhead Cam
EATXII	Electronic Automatic Transaxle Controller (Second Generation)
ECM	European Community Market
EFI	Electronic Fuel Injection
EGR	Exhaust Gas Recirculation Valve
EPA	Environmental Protection Agency Rating
EPROM	Electronic Programmable Read Only Memory
FE	Front Exhaust
FED	Federal
FF	Firm Feel
FFV	Flexible Fuel Vehicle
FWD	Front Wheel Drive
GCC	Gulf Coast Community
HD	Heavy-Duty
HP	Horsepower
INT HSG	Internal Housing
LD	Light-Duty
LDP	Leak Detection Pump
LE	Longitudinal Electronic
MMC	Mitsubishi Motor Company
MPH	Miles Per Hour
MPI	Multi-Point Injection
MT	Manual Transmission/Transaxle
NAA	Emission Sales Code for Federal
NAE	Emission Sales Code for California
OBDII	On Board Diagnostics (Second Generation)
OHV	Overhead Valve
P/N	Part Number
P/U	Pick Up
RE	Rear Exhaust

ACRONYM	DESCRIPTION
RFI	Radio Frequency Interference
RH	Rear Wheel Hydraulic
RWAL	Rear Wheel Antilock
RWD	Rear Wheel Drive
SAE	Society of Automotive Engineers
SBEC	Single Board Engine Controller
SCC	Spark Control Computer
SMEC	Single Module Engine Controller
SOHC	Single Overhead Cam
SS	Standard Steering
S.T.A.R.	Service Technical Assistance Resource
STD. ALT.	Standard Alternator
SWAL	Small Wall Antilock
TBI	Throttle Body Injected
TCM	Transmission Control Module
TE	Transverse Electronic
TRS	Transmission Range Switch
TH	Transverse Hydraulic
TLEV	Transitional Low Emissions Vehicle
VTA	Vehicle Theft Alarm
WB	Wheel Base

R E M A N U F A C T U R E D P A R T S C O R E R E T U R N P O L I C Y

Core Return and Credit Eligibility

1. Only those parts with an active core part number offered on the Mopar Remanufactured Parts program are eligible for return and credit.
2. Only cores generated by the purchase and sale of Mopar Remanufactured Parts are eligible for return to DaimlerChrysler for exchange credit on a one for one replacement basis. The quantity of cores received from a dealer cannot exceed the quantity of Mopar Remanufactured Parts purchased.
3. Cores that result from dealer to dealer sales must have eligibility transferred in the Global Core Return System - screen GCRN.
4. DaimlerChrysler may chargeback dealers for credit paid on damaged, disassembled, or incomplete cores.
5. DaimlerChrysler may take other actions as necessary if the core return policy is not followed.

Core Return Requirements and Acceptability of Cores



1. Returned cores must be drained completely, fully assembled, undamaged and complete with the same components provided with the replacement Mopar remanufactured part.
2. No credit will be paid for broken, disassembled or incomplete cores.
3. All cores must be returned in the box or crate in which the replacement Mopar remanufactured part was shipped.

Changes in Core Value

Mopar reserves the right to adjust core values depending upon market conditions. Dealers will be given a minimum 60 days advanced notification when core values are being reduced. Cores should be returned weekly to avoid core devaluation losses.

TECHNICAL SUPPORT HOTLINES

When technical, application or diagnostic information is needed to complete a repair using Mopar Remanufactured Parts, the following hotlines are available. Each is staffed by experienced technicians ready to help answer your questions.

PARTS CATEGORY	AVAILABLE TIMES	HOTLINE NUMBER
		
Alternators and Starters	9:00 am - 7:00 pm EST	1-800-850-0846
CV Axle Assemblies	7:30 am - 3:30 pm EST	1-800-833-0884 Fax (614) 443-1184
Electronic Engine/Transmission Controllers SCC's, FENIX, Jeep® Microprocessors TBI/Turbo Power & Logic Modules SMEC, SBEC, EATX, FCC	8:00 am - 5:00 pm EST	1-800-866-6727
Engines/Cylinder Heads I4 and V6 Passenger Car/Minivan, V10	9:00 am - 4:00 pm EST	1-800-387-0009
V6 and V8 Cast Iron Car/Truck	9:00 am - 4:00 pm EST	1-800-421-0058
Jeep® Engines	8:00 am - 5:00 pm CST	1-800-520-8324
Cummins Diesel	7:00 am - 8:00 pm EST 8:00 am - 5:00 pm CST	1-800-343-7357 1-800-777-3266
Rack & Pinion Steering Gears	9:00 am - 4:00 pm CST	1-800-879-3775 ext.116
Transaxles/Transmissions	8:00 am - 5:00 pm CST	1-800-520-8324
Torque Converters	9:00 am - 4:00 pm EST	1-800-463-5383 ext. 406
Water Pumps	9:00 am - 5:00 pm EST	1-800-850-0846
S.T.A.R. Center (Dealer Only)	9:00 am - 4:00 pm EST	1-800-850-7827

CST – Central Standard Time
EST – Eastern Standard Time
PST – Pacific Standard Time

S A L E S C O D E S

The Body Code Plate contains the specific sales codes of components used in the particular vehicle. This information is useful to the technician to identify the vehicle's engine and transmission. By comparing the sales codes for engines and transmissions from the Body Code Plate with the sales codes provided below, you can more accurately identify the correct replacement parts. Refer to the applicable service manual for body code plate location and decoding.

ENGINE SALES CODES

ENGINE CODE	DESCRIPTION
EBG	2.0L DOHC, Turbo
ECC	2.0L DOHC
ECF	2.0L DOHC
ECG	3.5L SOHC
EER	2.7L DOHC
EES	2.7L DOHC
EF7	3.0L SOHC
EF8	3.0L DOHC
EF9	3.0L DOHC, Turbo
EGD	3.3L V6
EGG	3.5L SOHC
EGM	3.3L Ethanol Flex Fuel
EGW	3.2L DOHC
EJA	1.8L SOHC
EJB	1.5L SOHC
ELM	5.9L MPI
ELN	5.2L CNG
ELP	5.2L LPG
EPE	2.5L MPI
ERH	4.0L MPI
ETC	5.9L Turbo Diesel
EWA	8.0L MPI
EWB	8.0L V10
EY7	2.4L SOHC

TRANSMISSION SALES CODES

TRANSMISSION CODE	DESCRIPTION
DD4	5-Speed Manual (NVT 350)
DD5	5-Speed Manual (NVT 350)
DDC	5-Speed Manual (NVG 3500)
DDK	5-Speed Manual (NVG 1500)
DDO	5-Speed Manual (AX15)
DDP	5-Speed Manual (NVG 4500)
DDP	5-Speed Auto (NVG 4500)
DDQ	5-Speed Manual (AX15) (AX5)
DEE	6-Speed Manual (NVG 5600)
DGA	3-Speed Auto (31TH)
DGB	4-Speed Auto (47RE)
DGD	3-Speed Auto (30RH)
DGG	3-Speed Auto (32RH)
DGK	4-Speed Auto (42RE)
DGL	4-Speed Electronic Auto Transaxle (41TE)
DGM	3-Speed Auto (31TH)
DGP	4-Speed Auto (47RE)
DGS	4-Speed Auto (AW4)
DGT	4-Speed Auto (46RE)
DGW	4-Speed Auto (44RE)
DGX	4-Speed Electronic Auto Transaxle (42LE)

N E W V E H I C L E W A R R A N T Y P A R T N U M B E R S

Below are the reman part numbers currently approved for new vehicle warranty repairs. Refer to your GPOP system for updates.

When performing repairs to a vehicle during the New Vehicle Prep process, use Mopar O.E. parts only. Mopar Remanufactured Parts cannot be used before the vehicle has been sold.

BRAKES

Calipers
R4746344
R4746345
R4746354
R4746355
R4746366
R4746367
R4886072AA
R4886073AA

ELECTRONICS

EATX
R4865022AE

ENGINES

R0420402AA
R0420445AA
R0420469AA
R0420755AA
R0420767AA
R0625480
R0630013
R0630045
R0639480
R2080468
R2852480
R2859488

Cylinder Heads

R5080411
R5080446
R5420402

ENGINES (Cont.)

Cylinder Heads (Cont.)

R5420469
R5424650
R5420659
R5639480
R5852480
R5633480
R5852426
R6625480
RM553080
RM553087

CUMMINS – DIESEL

All Engines and Components

TRANSAXLES/ TRANSMISSIONS AND COMPONENTS

- 41TE and 42LE Automatic Transaxles
- All RWD Automatic Transmissions
- All Jeep® Automatic Transmissions
- All Domestic Passenger Car and Truck Manual Transmissions
- All Torque Converters
- All 41TE and 42LE Transaxle Valve Bodies
- All 31TH, 41TE and 42LE Transaxle Front Pumps

M O D E L C O D E S

VEHICLE MODEL CODES 1978 – 2002 DOMESTIC PASSENGER CARS AND TRUCKS

Vehicles are identified in this catalog by one or two character codes. The matrix below easily identifies codes by model year.

1993 – 02 CHRYSLER, PLYMOUTH, DODGE, DODGE TRUCK

BODY CODE	VEHICLE MODEL
AA	Acclaim, LeBaron Sedan, Spirit
AB	Ram Van, Wagon (RWD)
AC	Dynasty, New Yorker Landau/Salon
AD	Ram Pickup, Ramcharger, Ram Cab & Chassis (RWD & 4WD)
AG	Daytona
AJ	LeBaron Coupe/Convertible
AN	Dakota Pickup, Dakota Cab & Chassis (RWD & 4WD)
AP	Shadow, Shadow Convertible, Sundance
AS/NS/ RS	Caravan, Grand Caravan, Town & Country, Voyager, Grand Voyager (FWD & AWD)
AY	Imperial, New Yorker, 5th Avenue
BB	Monaco
BD	Laser
BE	Ram Quad Cab
BR	Ram Pickup (RWD & 4WD)
B2	Colt
B4	Ram 50, Power Ram 50 (RWD & 4WD)
B7	Stealth (FWD & AWD)
B8	Colt Vista (FWD & AWD)
B9	Colt, Summit
CZ	Vista, Summit Wagon
DN	Durango
DR	Ram Pickup 1500
FJ	Avenger, Sebring
JA	Breeze, Cirrus, Stratus
JX	Sebring Convertible
LH	300M, Concorde, Intrepid, LHS, New Yorker, Vision
PL	Neon
PR	Prowler
PT	PT Cruiser
SR	Viper
ST	Sebring Coupe, Stratus Coupe

1990 – 92 CHRYSLER, PLYMOUTH, DODGE, DODGE TRUCK

BODY CODE	VEHICLE MODEL
AA	Acclaim, LeBaron Sedan, Spirit
AB	Ram Van, Wagon (RWD)
AC	Dynasty, New Yorker Landau/Salon
AD	Ram Pickup, Ramcharger, Ram Cab & Chassis (RWD & 4WD)
AG	Daytona
AJ	LeBaron Coupe/Convertible
AL	Horizon, Omni (through 1990)
AN	Dakota Pickup, Dakota Cab & Chassis (RWD & 4WD)
AP	Shadow, Shadow Convertible, Sundance
AQ	Chrysler TC (by Maserati)
AS	Caravan, Grand Caravan, Caravan C/V, Town & Country, Voyager, Grand Voyager (FWD & AWD)
AY	Imperial, New Yorker, 5th Avenue
BB	Monaco
BD	Laser
B2	Colt
B3	Colt Vista (FWD & AWD)
B4	Ram 50, Power Ram 50 (RWD & 4WD)
B7	Stealth (FWD & AWD)
LC	Colt, Summit
SR	Viper

1987 – 89 CHRYSLER, PLYMOUTH, DODGE

BODY CODE	SERIES	VEHICLE MODEL
A	D	Spirit (from 1989)
	P	Acclaim (from 1989)
C	C	New Yorker (from 1988)
	D	Dynasty (from 1988)
E	E	600 (to 1988)
	J	Caravelle (to 1988)
	T	New Yorker (to 1988)
G	V	Daytona, Laser
H	C	LeBaron GTS
	D	Lancer
J	C	LeBaron Coupe
K	C	LeBaron, Town & Country
	D	Aries
	P	Reliant
L	M	Horizon, Turismo
	Z	Omni, Charger
M	B	Gran Fury
	F	5th Avenue
	G	Diplomat
P	D	Shadow
	P	Sundance
Q	C	Chrysler TC by Maserati (from 1989)
S	H	Voyager, Grand Voyager
	K	Caravan, Grand Caravan, Caravan C/V

1984 – 86 CHRYSLER, PLYMOUTH, DODGE

BODY CODE	SERIES	VEHICLE MODEL
E	E	600
	J	Caravelle (from 1985)
	T	New Yorker
G	C	Laser
	V	Daytona
H	C	LeBaron GTS
	D	Lancer
K	C	LeBaron, Town & Country
	D	Aries
	P	Reliant
	V	400
L	M	Horizon, Turismo
	Z	Omni, Charger
M	B	Gran Fury
	F	Newport, 5th Avenue
	G	Diplomat
S	H	Voyager, Grand Voyager
	K	Caravan, Grand Caravan, Caravan C/V

MODEL CODES (continued)

VEHICLE MODEL CODES

1981 - 83 CHRYSLER, PLYMOUTH, DODGE

BODY CODE	SERIES	VEHICLE MODEL
E	E	600 (from 1983)
	T	New Yorker (from 1983)
J	S	Cordoba
	X	Mirada
	Y	Imperial
K	C	LeBaron, Town & Country
	D	Aries
	P	Reliant
	V	400
L	M	Horizon, Turismo
	Z	Omni, Charger, Rampage
M	B	Gran Fury
	F	Newport, 5th Avenue
	G	Diplomat
R	E	St. Regis (to 1981)
	J	Gran Fury (to 1981)
	T	Newport, New Yorker (to 1981)

1978 - 80 CHRYSLER, PLYMOUTH, DODGE

BODY CODE	SERIES	VEHICLE MODEL
B	R	Fury (to 1978)
	S	Cordoba (to 1978)
	W	Monaco (to 1978)
	X	Charger, Magnum (to 1978)
C	C	Newport, New Yorker (to 1978)
F	H	Volare
	N	Aspen
J	S	Cordoba (from 1980)
	X	Mirada (from 1980)
L	M	Horizon, Turismo
	Z	Omni, Charger, Rampage
M	F	LeBaron
	G	Diplomat
R	E	St. Regis
	J	Gran Fury
	T	Newport, New Yorker

1990 - 02 DODGE TRUCKS

REFER TO PASSENGER CAR/TRUCK LISTINGS

1984 - 89 DODGE TRUCKS

BODY CODE	VEHICLE MODEL
B	Full Size Van & Wagon
D1, 2, 3	Pickup (2WD)
D4	Sport Utility (2WD)
D5, 6, 7	Pickup (4WD)
D8	Sport Utility (4WD)
N1	Midsize Pickup (2WD)
N5	Midsize Pickup (4WD)
T	Cab & Chassis (2WD)

1988 - 2002 JEEP®/EAGLE PASSENGER CARS AND TRUCKS

1993-02 JEEP/EAGLE

BODY CODE	VEHICLE MODEL
BB	Premier
BD	Talon
B2	Summit
B8	Summit Wagon
B9	Summit
KJ	Liberty
LH	Vision
MJ	Comanche (RWD & 4WD)
TJ	Wrangler
XJ	Cherokee (RWD & 4WD)
WJ	Grand Cherokee
YJ	Wrangler
ZJ	Grand Cherokee

1988 - 93 JEEP/EAGLE

BODY CODE	VEHICLE MODEL
BB	Premier
BD	Talon
BZ	Summit, Summit Wagon
MJ	Comanche (RWD & 4WD)
SJ	Grand Wagoneer
XJ	Cherokee (RWD & 4WD)
YJ	Wrangler
ZJ	Grand Cherokee

BRAKES

5

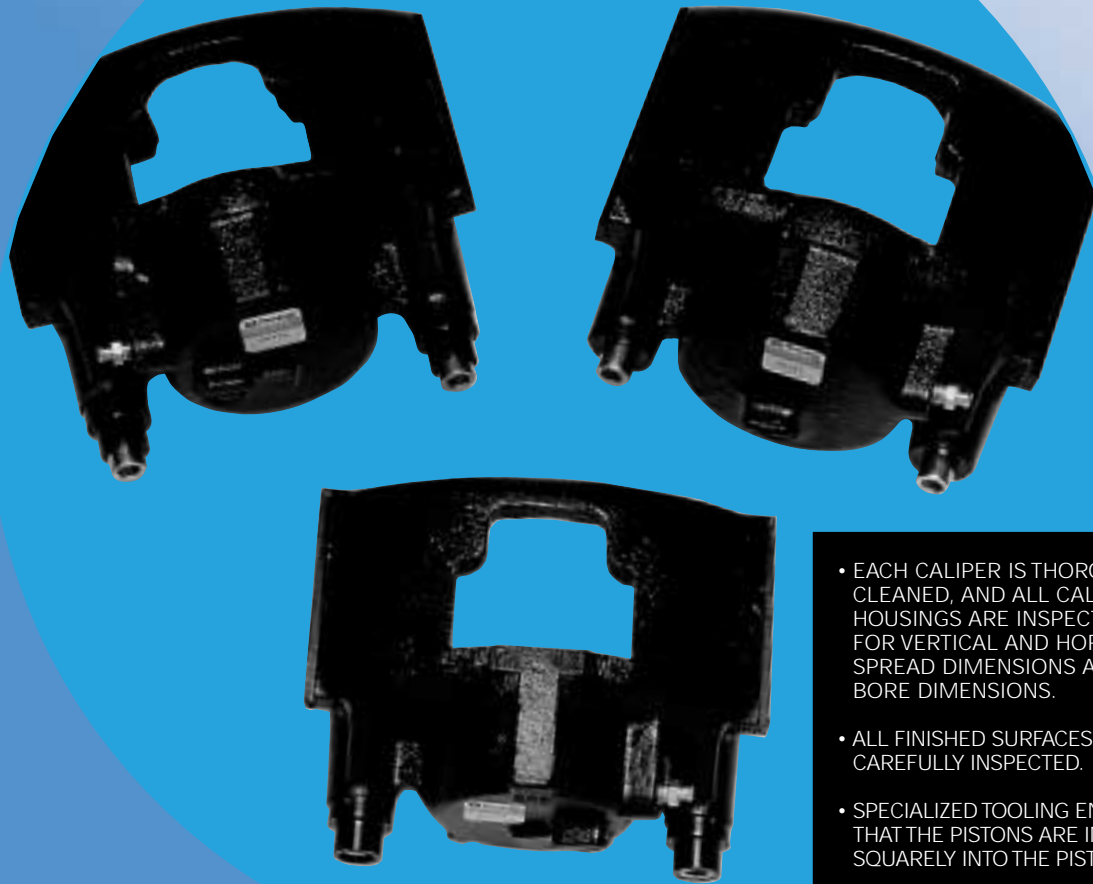
GROUP

Calipers

Master Cylinders

Rear Wheel
Anti-Lock Brake System





- EACH CALIPER IS THOROUGHLY CLEANED, AND ALL CALIPER HOUSINGS ARE INSPECTED FOR VERTICAL AND HORIZONTAL SPREAD DIMENSIONS AND BORE DIMENSIONS.
- ALL FINISHED SURFACES ARE CAREFULLY INSPECTED.
- SPECIALIZED TOOLING ENSURES THAT THE PISTONS ARE INSTALLED SQUARELY INTO THE PISTON BORE.
- FINAL ASSEMBLY IS PRESSURE TESTED FOR LOW AND HIGH PRESSURE LEAKAGE.

NEW COMPONENTS

- RUBBER BUSHINGS
- SEALS
- DUST SHIELDS
- BLEEDER SCREWS

CALIPERS

The Mopar Difference

CALIPERS

PRODUCT FEATURES:

- Meets O.E. specifications as set by DaimlerChrysler Engineering
- Rubber bushings, seals, dust shields, and bleeder screws are 100% new
- Pressure tested for leakage
- Brake pads not included



PASSENGER CARS

MODEL YEAR	APPLICATION	O.E. PART NO. LEFT SIDE	O.E. PART NO. RIGHT SIDE	REMAN PART NO. LEFT SIDE	REMAN PART NO. RIGHT SIDE
1993-91	A, P, G, J Bodies	5273007	5273006	R5273007	R5273006
	C, Y Bodies w/14" Wheel	4423467	4423466	R4423467	R4423466
1990-83	P Body, (w/o turbo), J, G Bodies (w/disc brakes)	4313961	4313960	R0070047	R0070046
	K Body, (22,27) w/ or w/o sensors				
	K (C,V) G, H, G (24), Bodies w/brake sensor				
1989-83	P Body (w/turbo), K (P, D, 41, 45) Bodies - w/HD brakes, E (41), G (24) Bodies all w/o sensors	4238711	4238710	-	R0070048

MINIVANS

MODEL YEAR	APPLICATION	O.E. PART NO. LEFT SIDE	O.E. PART NO. RIGHT SIDE	REMAN PART NO. LEFT SIDE	REMAN PART NO. RIGHT SIDE
1993-91	AS Body w/14" Wheel	4423467	4423466	R4423467	R4423466
	AS Body w/15" Wheel	4423717	4423716	R4423717	R4423716
1990-84	AS Body	4313245	4313244	R0070063	R0070062

TRUCKS & VANS

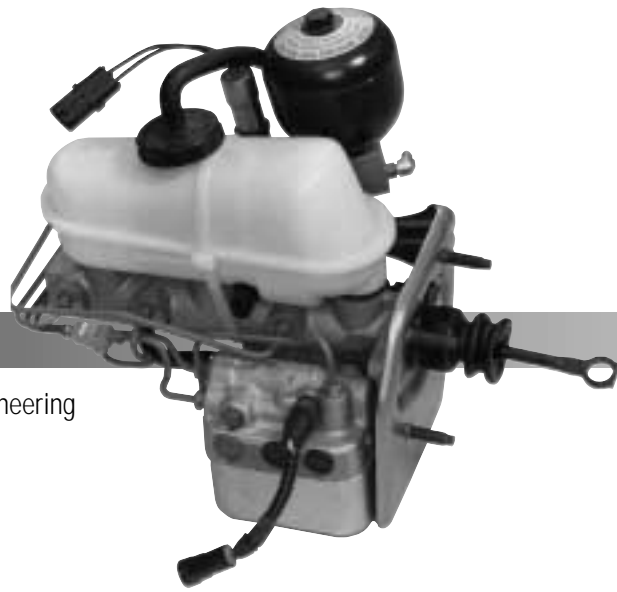
MODEL YEAR	APPLICATION	O.E. PART NO. LEFT SIDE	O.E. PART NO. RIGHT SIDE	REMAN PART NO. LEFT SIDE	REMAN PART NO. RIGHT SIDE
1998-97	AN Body	4886073AA	4886072AA	R4886073AA*	R4886072AA*
1998-94	BR Body - (75MM) 1500 Series	4746367	4746366	R4746367*	R4746366*
1998-94	BR Body - (80MM) 2500 Series	4746355	4746354	R4746355*	R4746354*
1998-94	BR Body - (86MM) 3500 Series	4746345	4746344	R4746345*	R4746344*
1997-86	AB Body	4313391	4313390	R4313391	R4313390
1996-91	AN Body	52007057	52007056	R2007057	R2007056
1990-86	AN Body	4313867	4313866	R4313867	R4313866

*Approved for new vehicle warranty usage.

JEEP®

MODEL YEAR	APPLICATION	O.E. PART NO. LEFT SIDE	O.E. PART NO. RIGHT SIDE	REMAN PART NO. LEFT SIDE	REMAN PART NO. RIGHT SIDE
1997-91	MJ, XJ, YJ, ZJ Bodies	5252985	5252984	R5252985	R5252984

MASTER CYLINDERS



PRODUCT FEATURES:

- Meets O.E. specifications as set by DaimlerChrysler Engineering
- ABS master cylinders are approved for warranty repairs

PASSENGER CARS

MODEL YEAR	APPLICATION	O.E. PART NO.	REMAN PART NO.
ABS			
1993-91	C, Y Bodies w/ABS	4683633	R4683633
1993	P, A, J, G Bodies w/front & Rear Disc 14" & 15" wheels w/MT or 4-speed automatic w/ABS	4509604	R4509604
1992	BB Body w/ABS	4584895	R4584895
1990-88	C, Y Bodies w/ABS	4485865	R4485865
STANDARD			
1994-91	P Body w/14" or 15" wheels (w/o ABS)	4294861/4509602	R4509602
1994-91	A, G, J Bodies w/15" wheels (w/o fluid window)	4294946	R4294946
1990	L, P Bodies (w/o fluid window)	4294861/4509602	R4509602
1990	J, G, L Bodies w/4 wheel disc & 15" or 16" wheels (w/o fluid window)	4294946	R4294946
1990-88	All Bodies (w/o ABS and fluid window)	4294861/4509602	R4509602
1989	J Body w/4 wheel disc 15" or 16" wheels (w/o fluid windows)	4294946	R4294946
	G Body w/4 wheel disc w/CS Performance Package		
	C Body (w/o fluid window)		
1989-78	M Body (Alum) 6- & 8-cyl.	3880289	R0050035
1987-83	All FWD Bodies (w/o fluid window)	4294861/4509602	R4509602
1986-82	H, K Bodies	4294268	R0050036

MINIVANS

MODEL YEAR	APPLICATION	O.E. PART NO.	REMAN PART NO.
ABS			
1993-91	AS Body w/ABS, Short WB - AWD	4683522	R4683522
	AS Body w/ABS, Long WB - FWD	4683398	R4683398
	AS Body w/ABS, Short WB - FWD	4683474	R4683474
	AS Body w/ABS, Long WB - AWD	4683555	R4683555
STANDARD			
1990	AS Body w/4 wheel disc & 15" or 16" wheels (w/o fluid window)	4294946	R4294946
1989	AS Body (w/o fluid window)	4294946	R4294946

MASTER CYLINDERS (continued)

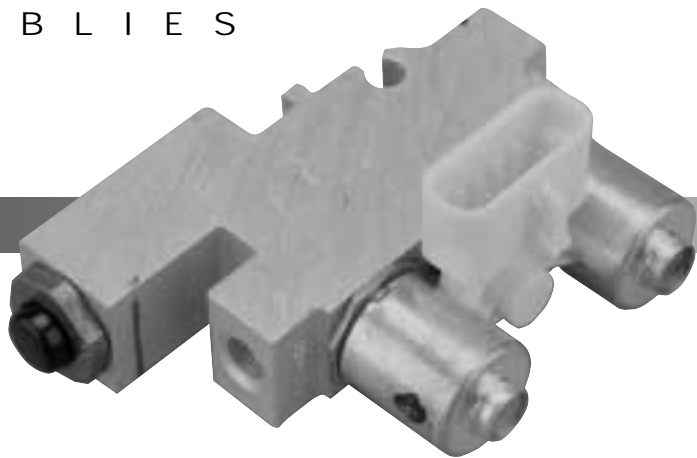
TRUCKS

MODEL YEAR	APPLICATION	O.E. PART NO.	REMAN PART NO.
1992-80	D1/2/3, W1/2/3, AD, AW	4294884	R0050037
1986-79	W2/3/4, w/4,500-lb, 3500 lb. front axle	4112654	R0050023

RWAL & SWAL VALVE ASSEMBLIES

PRODUCT FEATURES:

- Brake pressure limiting valve
- Includes solenoid control valves



RWAL - TRUCKS & VANS

MODEL YEAR	APPLICATION	O.E. PART NO.	REMAN PART NO.
1993-89	BR Body (1/2 Ton), AD Body	4294857/52004693/52006185	R2004693
1993-89	BR Body (3/4 Ton), AB Body	4485143/52004694/52004016	R2004016
1993-89	BR Body (1 Ton)	4485144/52004695	R2004695
1992-89	AN Body	4294919	R4294919

SWAL - TRUCKS & VANS

MODEL YEAR	APPLICATION	O.E. PART NO.	REMAN PART NO.
1997-95	AB Body w/rear wheel ABS	52008934	R2008934
1997-94	BR Body (1,2,6,7) 2 & 4WD w/rear wheel ABS	52007312	R2007312
1997	AN Body (1,5) 2 & 4WD w/rear wheel ABS	52007312	R2007312
1996-93	AN Body (1,5) 2 & 4WD w/rear wheel ABS	52008304	R2008304
1994	AB Body w/rear wheel ABS	52007312	R2007312

A B S C O M P O N E N T S

PRODUCT FEATURES:

- Meets O.E. specifications

ACTUATOR ASSEMBLY W/ABS - JEEP®

MODEL YEAR	APPLICATION	O.E. PART NO.	REMAN PART NO.
1993-89	XJ Body	4637621/4746415	R4746415
1993-89	XJ Body	4637620/4746418	R4746418

ACTUATOR PISTON KITS W/ABS - PASSENGER CARS, MINIVAN, TRUCK & JEEP®

MODEL YEAR	APPLICATION	O.E. PART NO.	REMAN PART NO.
1993-91	C, Y Bodies	4740084	R4740084
1993-91	AS Body	4740086	R4740086
1992-91	BB Body	4856887	R4856887
1990-89	XJ Body	4773175	R4773175

PUMP & MOTOR ASSEMBLIES - MINIVAN, TRUCK & JEEP®

MODEL YEAR	APPLICATION	O.E. PART NO.	REMAN PART NO.
1993-91	AS Body	4509292	R4509292
1992	AB Body	4723544	R4723544
1992-91	AB Body	4584472	R4584472
1991	XJ Body	52007515	R2007515
1990-89	XJ Body	52003297	R2003297

MODULATOR - JEEP®

MODEL YEAR	APPLICATION	O.E. PART NO.	REMAN PART NO.
1991-90	XJ Body	4637626	R4637626

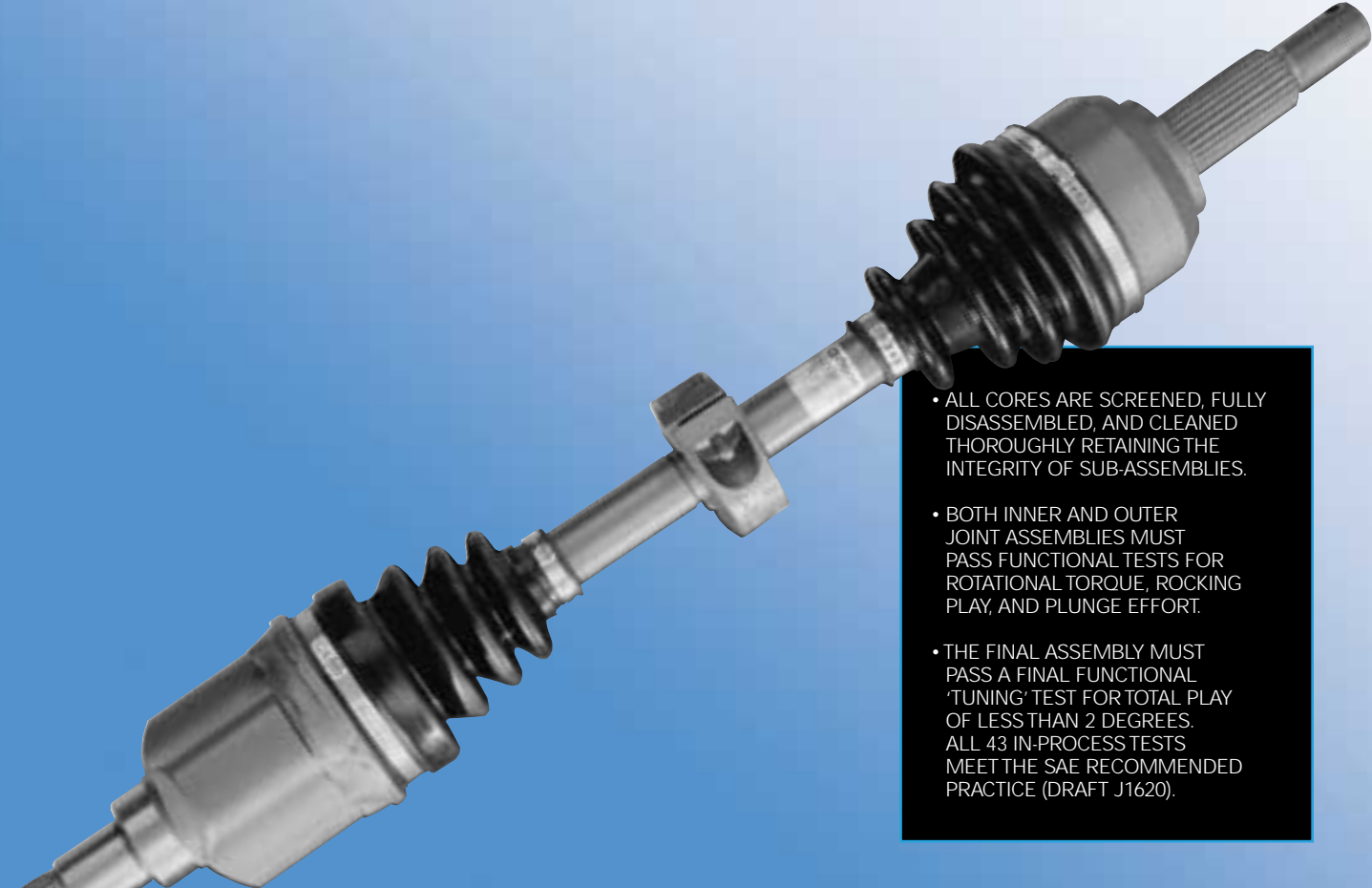
DRIVELINE

CV Axle Assemblies

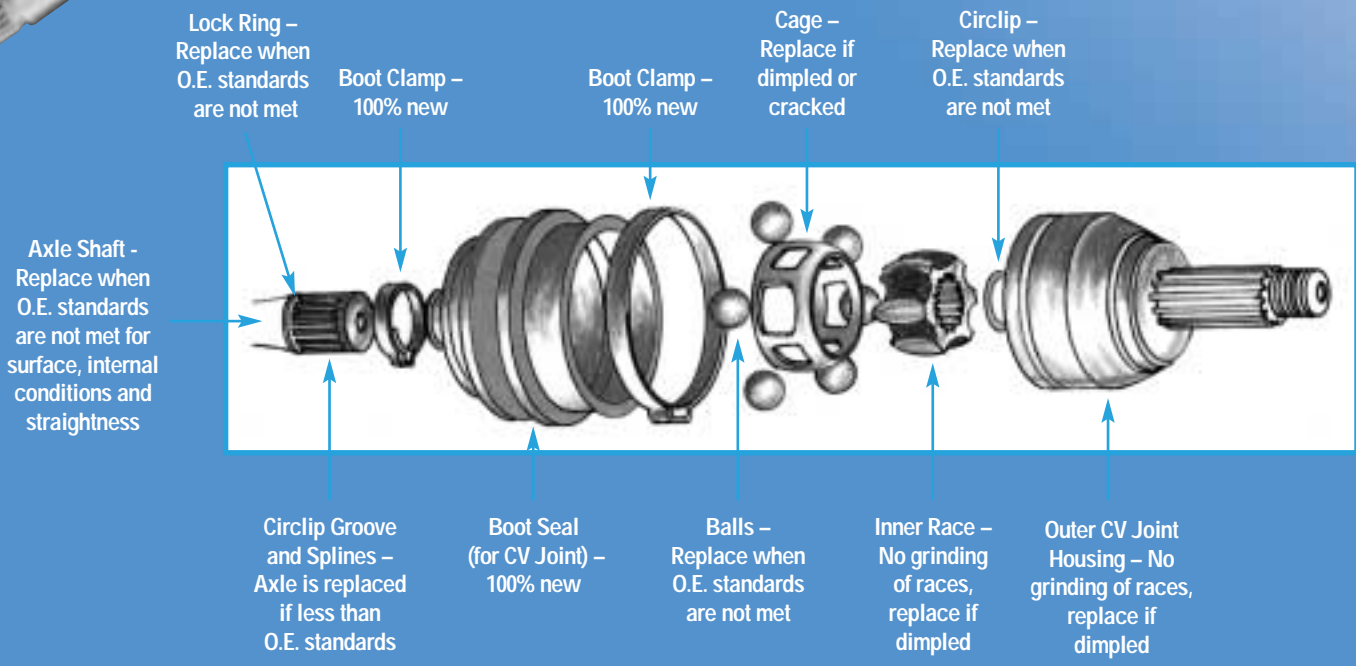
2

GROUP





- ALL CORES ARE SCREENED, FULLY DISASSEMBLED, AND CLEANED THOROUGHLY RETAINING THE INTEGRITY OF SUB-ASSEMBLIES.
- BOTH INNER AND OUTER JOINT ASSEMBLIES MUST PASS FUNCTIONAL TESTS FOR ROTATIONAL TORQUE, ROCKING PLAY, AND PLUNGE EFFORT.
- THE FINAL ASSEMBLY MUST PASS A FINAL FUNCTIONAL 'TUNING' TEST FOR TOTAL PLAY OF LESS THAN 2 DEGREES. ALL 43 IN-PROCESS TESTS MEET THE SAE RECOMMENDED PRACTICE (DRAFT J1620).



C V A X L E
A S S E M B L Y

The Mopar Difference

DAIMLERCHRYSLER HALF-SHAFT IDENTIFICATION
(IDENTIFY USING INNER JOINT & BOOT)

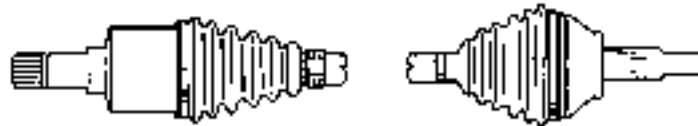
INNER SIDE

OUTER SIDE



ACI

(Y-Shaped Inner w/3 Ribs Tapered – Cone-Shaped)



SAGINAW (SAG)

(Round Inner w/6 Ribs Tapered – Cone-Shaped)
1991 and up - Y-Shaped Inner - Without Plastic Cap



GKN

(Round Inner w/3 Ribs [2 Small, 1 Large] – Spaced)
1991 and up - Y-Shaped Inner - With Plastic Cap



CITROEN (CIT)

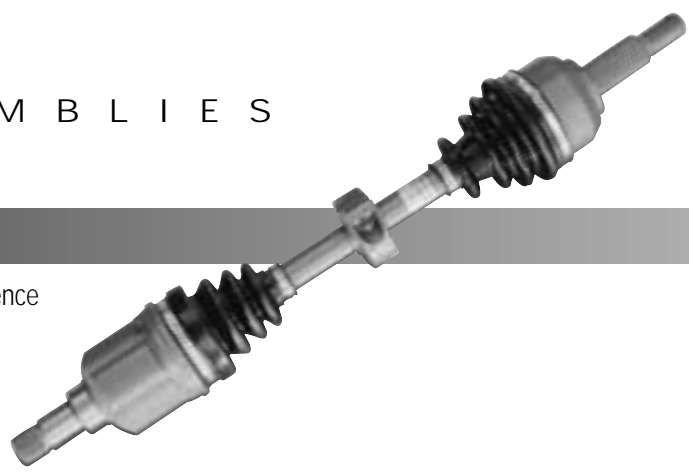
(Round Inner Welded w/3 Ribs – Narrow Neck)

IMPORTANT NOTE:
COMPLETE SHAFT TYPES ARE INTERCHANGEABLE – COMPONENTS ARE NOT.

Replacement shafts may be different from the shaft being removed due to part number consolidations. If there are visible differences, verification can be made by checking the following as being the same:

1. Overall length should be the same – compress shaft and measure end to end.
2. Inner CV joint splines, diameter and contact surfaces should be the same for the areas that insert into the transmission.
3. Outer CV joint splines, diameter and contact surfaces should be the same for the areas that insert into the wheel hub.

C V A X L E A S S E M B L I E S



PRODUCT FEATURES:

- Required to pass 43 tests to ensure quality and adherence to DaimlerChrysler Engineering specifications
- Quality inspections are performed throughout the entire remanufacturing process from preliminary core inspection through final assembly

Driveline

PASSENGER CARS

MODEL YEAR	APPLICATION	ENGINE/ TRANS.	REMAN PART NUMBER LEFT/RIGHT SIDE	NOTE	AXLE BOOTS (LEFT SIDE) OUTER/INNER	AXLE BOOTS (RIGHT SIDE) INNER/OUTER
2001-98	JA Body w/ABS	All	R2073677/R2073687		R2826038/R2826072	R2826064/R2826038
2001-95	JA Body w/o ABS	All	R2073672/R2073682		R2826038/R2826064	R2826072/R2826038
2001-00	PL Body w/o ABS	3 spd. AT	R2073398/R2073388		R2826004/R2826195	R2826194/R2826004
2001-00	PL Body w/o ABS	All w/MT	R2073398/R2073389		R2826004/R2826195	R2826194/R2826004
2001-00	PL Body w/ ABS	3 spd. AT	R2073395/R2073385		R2826004/R2826195	R2826194/R2826004
2001-00	PL Body w/ ABS	All w/MT	R2073395/R2073381		R2826004/R2826195	R2826194/R2826004
2001-00	PL Body w/o ABS	4 spd. AT	R2073812/R2073802		R2826202/R2826203	R2826204/R2826202
2001-00	PL Body w/ ABS	4 spd. AT	R2073812/R2073802		R2826202/R2826203	R2826204/R2826202
2001-98	LH Body w/ABS	All	R2073753/R2073763		R2826038/R2826072	R2826064/R2826038
2001-93	LH Body w/o ABS	All	R2073756/R2073766		R2826038/R2826072	R2826064/R2826038
1999-98	PL Body w/ABS	All w/MT	R2073397/R2073387		R2826004/R2826195	R2826194/R2826004
1999-98	PL Body w/ABS	All w/AT	R2073396/R2073386		R2826004/R2826195	R2826194/R2826004
1999-95	FJ Body w/ABS	2.5L	R2078318/R2078325		R2826075/ -	- /R2826075
1999-95	FJ Body w/o ABS	2.5L	R2078317/R2078324		R2826075/ -	- /R2826075
1999-95	PL Body w/o ABS	All w/AT	R2073392/R2073382		R2826004/R2826195	R2826194/R2826004
	PL Body w/o ABS	All w/MT	R2073392/R2073384		R2826004/R2826195	R2826194/R2826004
1997-96	LH Body w/ABS	All	R2073759/R2073769		R2826038/R2826072	R2826064/R2826038
1997-95	JA Body w/ABS	All	R2073673/R2073683		R2826038/R2826064	R2826072/R2826038
1997-95	PL Body w/ABS	All w/AT	R2073393/R2073383		R2826004/R2826195	R2826194/R2826004
1997-95	PL Body w/ABS	All w/MT	R2073393/R2073385		R2826004/R2826195	R2826194/R2826004
1995	JX Body w/ABS	2.0L, 2.4L, MT	R2073674/R2073686		R2826075/ -	- /R2826075
1995	JX Body w/ABS	2.5L, AT	R2073674/R2073684		R2826075/ -	- /R2826075
1995	JX Body w/o ABS	All	R2073675/R2073685		R2826075/ -	- /R2826075
1995-93	LH Body w/ABS	All	R2073757/R2073767		R2826038/R2826072	R2826064/R2826038

^Internal housing outside maximum diameter (lobes).

C V A X L E
A S S E M B L I E S (continued)

PASSENGER CARS (CONT.)

MODEL YEAR	APPLICATION	ENGINE/ TRANS	REMAN PART NUMBER LEFT/RIGHT SIDE	NOTE	AXLE BOOTS (LEFT SIDE) OUTER/INNER	AXLE BOOTS (RIGHT SIDE) INNER/OUTER
1995-91	AA, AC, AG, AJ, AP, AY Bodies w/o ABS	2.2L, 2.5L w/o Turbo 3.0L, 3.3L, 3.8L w/o Equal Length Shaft System	R2073192/R2073202	^3 3/8 SAG	R2826043/R2826172	R2826172/R2826043
				GKN	R2826552/R2826003	R2826003/R2826552
				^3 5/8 SAG	R2826038/R2826064	R2826064/R2826038
				GKN	R2826075/R2826559	R2826559/R2826075
1995-91	AA, AC, AG, AJ, AP, AY Bodies w/ABS	2.2L, 2.5L w/o Turbo 3.0L, 3.3L, 3.8L w/o Equal Length Shaft System	R2073372/R2073422	^3 3/8 SAG	R2826043/R2826172	R2826172/R2826043
				GKN	R2826552/R2826003	R2826003/R2826552
				^3 5/8 SAG	R2826038/R2826064	R2826064/R2826038
				GKN	R2826075/R2826559	R2826559/R2826075
1994-91	AA, AC, AG, AJ, AP, AY Bodies w/o ABS	2.2L, 2.5L w/Turbo* 3.0L, 3.3L, 3.8L w/Equal Length Shaft System*	R2073192/R2073204	^3 3/8 SAG	R2826043/R2826172	R2826172/R2826043
				GKN	R2826552/R2826003	R2826003/R2826552
				^3 5/8 SAG	R2826038/R2826064	R2826064/R2826038
				GKN	R2826114/R2826559	R2826559/R2826114
1994-91	AA, AC, AG, AJ, AP, AY Bodies w/ABS	2.2L, 2.5L w/Turbo* 3.0L, 3.3L, 3.8L w/Equal Length Shaft System*	R2073372/R2073427	^3 3/8 SAG	R2826043/R2826172	R2826172/R2826043
				GKN	R2826552/R2826003	R2826003/R2826552
				^3 5/8 SAG	R2826038/R2826064	R2826064/R2826038
				GKN	R2826114/R2826559	R2826559/R2826114
1994-90	A, C, G, J, P, Y Bodies**	w/Turbo or w/Equal Length Shaft System	R2043201* Intermediate Shaft		-	-
1992-88	BB Body w/o ABS	3.0L	R2078412/ -		R2826075/R2826559	R2826559/R2826075
	BB Body	3.0L	R2078413/R2078423		R2826075/R2826559	R2826559/R2826075
1990-87	A, C, E, G, H, J,K,P,Y Bodies w/o ABS**	2.5L w/o Turbo, 3.0L, 3.3L, 3.8L, w/o Equal Length Shaft System	R2073192/R2073202	SAG	R2826043/R2826130	R2826130/R2826043
				GKN	R2826552/R2826024	- /R2826552
1990-87	A, C, E, G, H, J,K,P,Y Bodies w/o ABS**	3.0L, 3.3L, 3.8L w/Equal Length Shaft System*	R2073192/R2073204	SAG	R2826043/R2826130	R2826130/R2826043
				GKN	R2826552/R2826024	- /R2826552
1990-87	A, C, E, G, H, J,K,P,Y Bodies w/ ABS**	2.5L w/o Turbo, 3.0L, 3.3L, 3.8L, w/o Equal Length Shaft System	R2073372/R2073422	SAG	R2826043/R2826130	R2826130/R2826043
				GKN	R2826552/R2826024	- /R2826552

*Intermediate Shaft must be ordered separately.
**Body Codes - add "A" before each code.

^Internal housing outside maximum diameter (lobes).

C V A X L E A S S E M B L I E S (continued)

PASSENGER CARS (CONT.)

MODEL YEAR	APPLICATION	ENGINE	REMAN PART NUMBER LEFT/RIGHT SIDE	NOTE	AXLE BOOTS (LEFT SIDE) OUTER/INNER	AXLE BOOTS (RIGHT SIDE) INNER/OUTER
1990-87	A, C, E, G, H, J, K, P, Y Bodies w/ ABS**	3.0L, 3.3L, 3.8L w/Equal Length Shaft System*	R2073372/R2073427	SAG	R2826043/R2826130	R2826130/R2826043
				GKN	R2826552/R2826024	- /R2826552
1990-87	A, C, E, G, H, J, K, P, Y Bodies w/o ABS**	2.2L, 2.5L w/Turbo*	R2073192/R2073204	SAG	R2826043/R2826130	R2826130/R2826043
				GKN	R2826552/R2826024	- /R2826552
1990-87	A, C, E, G, H, J, K, P, Y Bodies** w/ABS	2.2L, 2.5L w/Turbo*	R2073372/R2073427	SAG	R2826043/R2826130	R2826130/R2826043
				GKN	R2826552/R2826024	- /R2826552
1990-87	A, H, J, P Bodies**	2.2L w/o Turbo	R2073192/R2073202		R2826004/R2826140	R2826140/R2826004
1989-87	L Body w/MT	All w/o Turbo	-	ACI	R2826004/ -	- /R2826004
				GKN	R2826044/ -	- /R2826044
1989-87	L Body w/MT	All w/Turbo	-	GKN	R2826044/ -	- /R2826044
				CIT	R2826024/R2826130	R2826130/R2826024
1989-87	L Body w/AT	All	R2073615/R2073625		R2826044/ -	- /R2826044
1986-84	C, E, G, K Bodies	All w/o Turbo	R2073532/ -	ACI	R2826004/R2826140	R2826140/R2826004
				SAG	R2826043/R2826130	R2826130/R2826043
				GKN	R2826044/R2826028	R2826027/R2826044
				CIT	R2826024/R2826130	- /R2826024
1986-84	C, E, G, K Bodies	All w/Turbo	R2073532/R2073602◆		R2826024/R2826130	R2826130/R2826024
1986-84	L Body	All w/Turbo	-	GKN	R2826044/ -	R2826028/R2826044
				CIT	R2826024/R2826130	R2826130/R2826024
1986-84	L Body	All w/o Turbo	-	GKN	R2826044/ -	R2826027/R2826044
				CIT	R2826024/R2826130	- /R2826024
1983-82	E, K Bodies	All	R2073512/R2073522		R2826044/ -	- /R2826044
1981	E, K Bodies	All	-		R2826044/ -	- /R2826044

* Intermediate Shaft must be ordered separately.

** Body Codes - add "A" before each code.

◆ See O.E. parts listing for Intermediate Shaft.

MINIVANS

MODEL YEAR	APPLICATION	ENGINE	REMAN PART NUMBER LEFT/RIGHT SIDE	NOTE	AXLE BOOTS (LEFT SIDE) OUTER/INNER	AXLE BOOTS (RIGHT SIDE) INNER/OUTER
2002-01	RS Body	All	R2073654/R2073664		R2826130/R2826064	R2826201/R2826130
2002-01	RS Body Front AWD	All	R2073654/R2073703		R2826130/R2826064	R2826201/R2826130
2002-01	RS Body Rear AWD	All	R2073719/R2073729		R2826205/R2826205	R2826205/R2826205

C V A X L E
A S S E M B L I E S (continued)

MINIVANS (CONT.)

MODEL YEAR	APPLICATION	ENGINE	REMAN PART NUMBER LEFT/RIGHT SIDE	NOTE	AXLE BOOTS (LEFT SIDE) OUTER/INNER	AXLE BOOTS (RIGHT SIDE) INNER/OUTER
2000-96	NS Body w/o ABS	All	R2073658/R2073668		R2826130/R2826064	R2826064/R2826130
2000-96	NS Body w/ABS	All	R2073659/R2073669		R2826130/R2826064	R2826064/R2826130
2000-96	NS Body w/ABS Front AWD	All	R2073659/R2073702		R2826130/R2826064	R2826064/R2826130
2000-96	NS Body w/ABS Rear AWD	All	R2073718/R2073718		R2826559/R2826559	R2826559/R2826559
1995-91	AS Body FWD	2.5L w/AT	R2073652/R2073662	Int Hsg Round	R2826552/R2826068	R2826068/R2826552
				Trilobal	R2826552/R2826559	R2826559/R2826552
1995-91	AS Body FWD	2.5L w/MT	R2073657/R2073662	GKN	R2826552/R2826003	R2826003/R2826552
1995-91	AS Body FWD w/ABS	2.5L w/MT	R2073653/R2073665		R2826552/R2826003	R2826003/R2826552
1995-91	AS Body FWD	2.5L w/MT	R2043206* Intermediate Shaft		-	-
1995-91	AS Body FWD w/o ABS	3.0L, 3.3L, 3.8L w/Reg. Shaft System	R2073652/R2073662	Int Hsg Round	R2826552/R2826024	R2826024/R2826552
				Trilobal	R2826552/R2826559	R2826559/R2826552
1995-91	AS Body FWD w/o ABS	3.0L, 3.3L, 3.8L w/Equal Length Shaft System	R2073652/R2073652*	Int Hsg Round	R2826552/R2826024	R2826024/R2826552
				Trilobal	R2826552/R2826559	R2826559/R2826552
1995-91	AS Body FWD w/ABS	3.0L, 3.3L, 3.8L w/Reg. Length Shaft System	R2073656/R2073665	Int Hsg Round	R2826552/R2826024	R2826024/R2826552
				Trilobal	R2826552/R2826559	R2826559/R2826552
1995-91	AS Body FWD w/ABS	3.0L, 3.3L, 3.8L w/Equal Length Shaft System	R2073656/R2073656*	Int Hsg Round	R2826552/R2826024	R2826024/R2826552
				Trilobal	R2826552/R2826559	R2826559/R2826552
1995-91	AS Body FWD	3.0L, 3.3L, 3.8L	R2043206* Intermediate Shaft		-	-
1995-91	AS Body AWD Front w/o ABS	All	R2073652/R2073666		R2826552/R2826003	R2826003/R2826552
1995-91	AS Body AWD Front w/ABS	All	R2073656/R2073667		R2826064/R2826130	R2826130/R2826064
1995-91	AS Body AWD Rear w/o ABS	All	R2073714/R2073714		R2826559/R2826559	R2826559/R2826559
1995-91	AS Body AWD Rear w/ABS	All	R2073715/R2073715		R2826559/R2826559	R2826559/R2826559
1990-87	AS Body w/AT	All	R2073652/R2073662		R2826552/R2826068	R2826068/R2826552
1990-87	AS Body w/MT	All	R2073652/R2073652		R2826552/R2826068	R2826068/R2826552
1990-87	AS Body w/MT	All	R2043206* Intermediate Shaft		-	-
1986-84	AS Body	All	R2073632/R2073642		R2826024/ -	R2826130/R2826024

*Intermediate Shaft must be ordered separately.

C V A X L E
A S S E M B L I E S (continued)

IMPORT PASSENGER CARS

MODEL YEAR	APPLICATION	ENGINE	REMAN PART NUMBER LEFT/RIGHT SIDE	AXLE BOOTS (LEFT SIDE) OUTER/INNER	AXLE BOOTS (RIGHT SIDE) INNER/OUTER
1992-89	Colt/Eagle Hatchback	1.5L	R2073933/R2073947	-	-

RENAULT PASSENGER CARS

MODEL YEAR	APPLICATION	O.E PART NO.	REMAN PART NO.
1987	GTA, right side w/MT	T1349660	JR775065
1987-86	Alliance/Encore, left side w/AT, & 1.4L engine	T1349757	JR775071
1987-85	Alliance/Encore, left side w/AT, & 1.7L engine	T1349757	JR775071
1987-83	Alliance, right side w/MT	T1349660/T1349172	JR775065
1986-84	Encore, right side w/MT	T1349660	JR775065
1986-84	Encore, right side w/AT	T1349172	JR775065

Notes: (1) Also order one T0715149 hub.
(2) If model 136B with Fab. No. 00001 to 17100, also order one T0649103 hub; for models with Fab. No. 17101 and higher, also order one T0715149 hub.

TRUCKS

MODEL YEAR	APPLICATION	ENGINE	REMAN PART NUMBER LEFT/RIGHT SIDE	AXLE BOOTS (LEFT SIDE) OUTER/INNER	AXLE BOOTS (RIGHT SIDE) INNER/OUTER
2002-00	PT Body	All	R2073812/R2073802	R2826202/R2826203	R2826204/R2826202
2001-00	AN, DN Bodies	All	R2073973/R2073973	R2826207/R2826206	R2826206/R2826207
1999-97	AN, DN Bodies	All	R2073976/R2073976	R2826038/R2826038	R2826038/R2826038
1996-91	AN Body w/o ABS	All	R2073974/R2073974	R2826038/R2826038	R2826038/R2826038
1996-91	AN Body w/ABS	All	R2073975/R2073975	R2826038/R2826038	R2826038/R2826038
1990-87	AN Body w/o ABS	All	R2073972/R2073972	R2826552/ -	- /R2826552

JEEP®

MODEL YEAR	APPLICATION	ENGINE	REMAN PART NUMBER LEFT/RIGHT SIDE	AXLE BOOTS (LEFT SIDE) OUTER/INNER	AXLE BOOTS (RIGHT SIDE) INNER/OUTER
2002-99	WJ Body	Vari-Lock	R2073978/R2073988	R2826003/R2826003	R2826003/R2826003
2002-99	WJ Body	w/o Vari-Lock	R2073979/R2073989	R2826003/R2826003	R2826003/R2826003
1998-92	ZJ, SJ Bodies	All	R2073977/R2073987	R2826003/**	**/R2826003

**Inner boot not applicable.

ELECTRICAL / ELECTRONICS



GROUP

Alternators

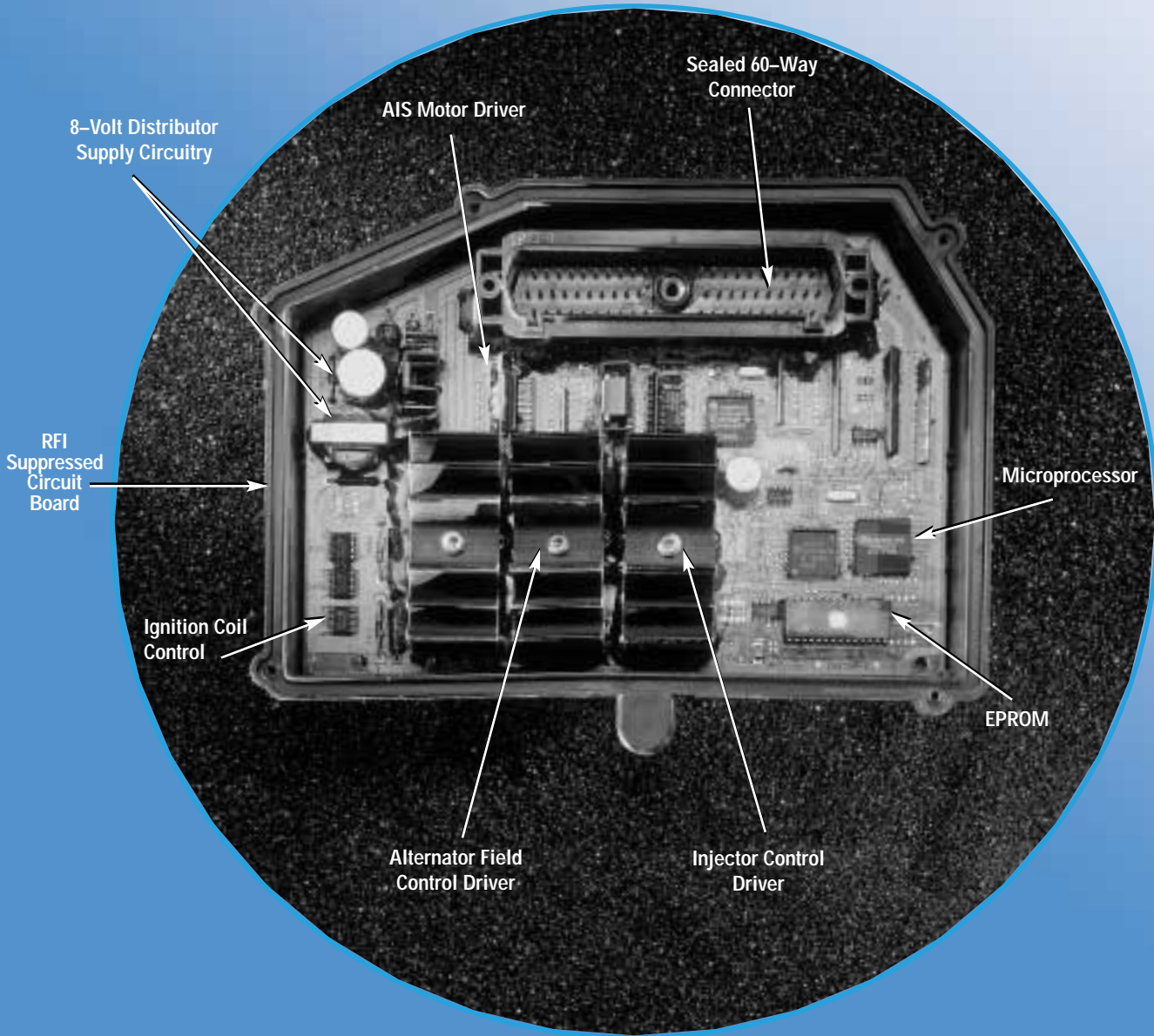
Distributors

Motors

Starters

Electronic Engine
Controllers





ELECTRONIC ENGINE
CONTROLLER

The Mopar Difference

A L T E R N A T O R S

PRODUCT FEATURES:

- New bearings
- New brushes
- New slip ring assembly (when necessary)
- New positive and negative heat sinks
- Load tested to DaimlerChrysler specifications

All other parts are cleaned with an environmentally sound recyclable Aqueous cleaning system. Inner parts are tested to ensure they meet O.E. specifications.



Electrical/
Electronics

PASSENGER CARS

MODEL YEAR	APPLICATION	RATING	O.E. PART NO.	REMAN PART NO.
1998-96	LH Body w/3.3L, 3.5L	105-amp	4609093	R4609093
1995-90	A, S Bodies w/2.5L	120-amp	5234208	R5234208
1995-90	A, C, Y, G, J Bodies w/3.0L, 3.3L, 3.8L	90-amp	5234032	R5234032
	A, C, G, N, J, P Bodies w/2.2L & 2.5L	90-amp	5234031	R5234031
1990	G, J, P Bodies w/2.2L, 2.5L	120-amp	5234208	R5234208
1990	A, C, G, J Bodies w/3.0L	90-amp	5234029	R5234029
1990-85	A, C, G, J Bodies w/2.2L, 2.5L, 3.0L, 3.9L, 5.2L, 5.9L	40/90-amp	5233718	R5252539
1989	A, C, G, J, P Bodies w/2.2L, 2.5L	90-amp	5233418	R5252539
1989	A Body w/3.0L w/Pulley Number 5233843	120-amp	5233660	R5233660
1989	A, C, Y Bodies w/3.0L	90-amp	5233449	R5233449
1989	G, H, J, P, Q Bodies, w/2.2L, 2.5L	50/120-amp	5233608	R5233608
1989-88	M Body w/3.9L, 5.2L, 5.9L	90-amp	5233672	R5233672
1989-88	M Body w/3.9L, 5.2L, 5.9L	120-amp	5233599	R5233599
1989-88	All Bodies w/Pulley Number 5227174	40/90-amp	5233472	R5233472
1989-88	All w/2.2L, 2.5L, 3.9L, 5.2L, 5.9L w/Pulley Number 5227174	50/120-amp	5233199	R5233199
1987-84	All Bodies w/78 SAE w/2.2L (w/o turbo)	65-amp	5226135	R0291215
1987-83	All Bodies w/2.6L	80-amp (IC V/R)	MD062007	R062007M
1987-76	All Bodies w/6- & 8-cyl. engines	60-amp	4091460	R0291186
1986-74	All Bodies w/5.2L	100-amp	4091460	R0291174
1983-81	All Bodies w/78 SAE w/1.7L, 2.2L	78-amp	5213053	R0291216
1979-78	L Body w/1.7L	65-amp	4240442	R0291199
1975-70	All Bodies w/6- & 8-cyl. engines	60-amp	-	R0291185

ALTERNATORS (continued)

MINIVANS

MODEL YEAR	APPLICATION	RATING	O.E. PART NO.	REMAN PART NO.
1995-90	AS Body w/3.0L, 3.3L, 3.8L	90-amp	5234032	R5234032
1995-90	AS Body w/2.2L, 2.5L	90-amp	5234031	R5234031
1995-90	AS Body w/3.0L, 3.3L, 3.8L	120-amp	5234033	R5234033
1995-90	AS Body w/2.2L, 2.5L	120-amp	5234208	R5234208
1990	AS Body w/3.0L	90-amp	5234029	R5234029
1989	AS Body w/2.2L, 2.5L	90-amp	5233418	R5252539
1989	AS Body w/3.0L	120-amp	5233660	R5233660
1989	AS Body w/3.0L	90-amp	5233449	R5233449
1989-87	AS Body w/2.5L, 3.0L	40/90-amp	5233472	R5233472
1987-83	AS Body w/2.6L	80-amp (IC V/R)	MD062007	R062007M

TRUCKS

MODEL YEAR	APPLICATION	RATING	O.E. PART NO.	REMAN PART NO.
1996-90	AN Body w/2.5L	120-amp	5234208	R5234208
1995-90	AN Body w/2.2L, 2.5L	90-amp	5234031	R5234031
1991	AN Body w/5.2L	120-amp	5234033	R5234033
1991	AN Body w/5.2L	90-amp	5234032	R5234032
1990	AN Body w/2.2L, 2.5L	90-amp	5233418	R5252539
1989	AN Body w/2.2L, 2.5L	50/120-amp	5233608	R5233608
1989-88	AB, AD, AN Bodies w/3.9L, 5.2L, 5.9L	90-amp	5233672	R5233672
1989-88	AD, AN Bodies w/3.9L, 5.2L, 5.9L	120-amp	5233599	R5233599
1987-76	All Bodies w/6- & 8-cyl. engines	60-amp	4091460	R0291186
1986-74	All Bodies w/5.2L	100-amp	4091460	R0291174

Note: Refer to the Diesel product section for diesel applications.

A L T E R N A T O R S (continued)

IMPORT AND DIAMOND STAR PASSENGER CARS

MODEL YEAR	APPLICATION	RATING	O.E. PART NO.	REMAN PART NO.
1996-95	Colt/Summit w/1.5L	70-amp	MD309333	R309333M
1996-94	Colt/Summit/Vista w/1.8L	75-amp	MD193323	R193323M
1995-91	Stealth w/3.0L	110-amp	MD197470	R150657M
1995-91	Stealth w/3.0L	90-amp	MD112323	R112323M
1994-93	Vista w/2.4L	75-amp	MD190819	R190819M
1994-92	Vista w/1.8L	60-amp	MD175810	R175810M
1994-90	Laser/Talon w/1.8L	65-amp	MD102088	R102088M
1993-92	Vista w/1.8L	65-amp	MD189659	R189659M
1992	Eagle/Colt Vista 3 door	65-amp	MD136838	R136838M
	Mini Eagle Vista/Colt Vista 3 door	75-amp	MD136839	R136839M
1992-91	Colt/Summit, Summit 2 and 4 door	75-amp	MD114620	R114620M
1992-89	Laser/Talon w/1.8L	75-amp	MD117156	R117156M
1991-89	Laser/Talon w/1.5L, 1.6L (w/o balance shaft), Colt/Summit 2 door	75-amp	MD136839	R136839M
1991-87	Vista (built after 11/1/86), w/2.0L	65-amp	MD102085	R102085M
1990	Colt/Summit (w/o balance shaft), w/1.5L/1.6L	90-amp	MD149750	R149750M
1990-89	Laser/Talon w/1.5L, 1.6L (w/o balance shaft), Colt/Summit 2 door	65-amp	MD136838	R136838M
1990-89	Eagle/Colt Vista w/1.5L, 1.6L (w/o balance shaft), Colt/Summit 2 door and 4 door	75-amp	MD114620	R114620M
1990-87	Colt LA (w/o balance shaft), w/1.5L, 1.6L 2 door and 4 door	75-amp	MD108305	R108509M
1989-88	Conquest w/inter cooler, w/2.6L	75-amp	MD125569	R125569M
1987	Colt (w/o balance shaft), w/1.5L, 1.6L	75-amp	MD114620	R114620M

IMPORT AND DIAMOND STAR TRUCKS

MODEL YEAR	APPLICATION	RATING	O.E. PART NO.	REMAN PART NO.
1990	Ram 5, w/2.4L, 3.0L	65-amp	MD134315	R134315M
	Ram 5, w/2.4L, 3.0L	45-amp	MD108230	R108230M
1989-87	Ram w/2.0L, 2.6L	45-amp	MD108509	R108509M
	Raider w/2.6L	50-amp	MD110318	R110318M
	Ram w/2.0L, 2.6L	45-amp	MD108230	R108230M

ALTERNATORS (continued)

JEEP®

MODEL YEAR	APPLICATION	RATING	O.E. PART NO.	REMAN PART NO.
1991-83	SJ Body w/std. alt.	63-amp	J8134663	JR775004
1990-87	MJ, XJ Bodies w/2.5L, w/o AC, w/std. alt.	61-amp	53003802	JR775131
	MJ, XJ Bodies w/2.5L, w/AC, w/std. alt.	61-amp	53004264	JR775128
	MJ, XJ Bodies w/2.5L, w/AC, w/HD alt.	74-amp	53004265	JR775128
	MJ, XJ Bodies w/4.0L, w/std. alt.	61-amp	53004632	JR775127
	MJ, XJ Bodies w/4.0L, w/HD alt.	85-amp	53002898	JR775126
	MJ, XJ Bodies w/4.0L, w/HD alt.	100-amp	53002897	JR775125
	YJ Body (all)	78-amp	J8134664	JR775005
1986-83	SJ Body w/HD alt.	78-amp	J8134664	JR775005
1982-81	All Bodies w/HD alt.	70-amp	J8134665	JR775007
1982-78	All Bodies w/8-cyl. eng. w/std. alt.	61-amp	J8134663	JR775004
1982-75	All Bodies w/6-cyl. eng. w/std. alt.	61-amp	J8134663	JR775004

Note: Refer to the Diesel product section for diesel applications.

EAGLE

MODEL YEAR	APPLICATION	RATING	O.E. PART NO.	REMAN PART NO.
1990-88	Medallion w/AC	90-amp	773469	JR775146
	Premier w/3.0L, w/AC	105-amp	33002941	JR775150

AMC/RENAULT

MODEL YEAR	APPLICATION	RATING	O.E. PART NO.	REMAN PART NO.
1987	GTA w/AC, (alt. #A14N89, A14N99)	75-amp	33002470	JR775024
1987-85	Alliance w/1.7L, w/AC (alt. #A14N89, A14N99)	75-amp	33002470	JR775024
1987-83	All AMC w/std. alt.	63-amp	J8134663	JR775004
	All AMC w/HD alt.	78-amp	J8134664	JR775005
1986-85	Encore w/1.7L, w/AC, (alt. #A14N89, A14N99)	75-amp	33002470	JR775024
1986-84	Fuego w/2.2L (alt. #A14N63, A14N65)	90-amp	753172	JR775020
	18i, w/2.2L (alt. #A14N63, A14N65)			
1982-75	All AMC w/4- & 6-cyl engines	61-amp	J8134663	JR775004

DELCO ALTERNATOR CROSS REFERENCE

REMAN NO.	DELCO NO.	REMAN NO.	DELCO NO.
JR775004	1105363	JR775127	1101168
JR775005	1105372	JR775128	1101172
JR775007	1105347	JR775128	1101171
JR775126	1101170	JR775131	1101175

D I S T R I B U T O R S

PRODUCT FEATURES:

- New bushings
- New nylon gears
- New points (point-type)
- New roll pins
- New condensers (point-type)
- New gaskets
- New oil felts
- New O-rings

Each distributor is fully tested and calibrated to DaimlerChrysler specifications.



Electrical/
Electronics

PASSENGER CARS... 4-CYLINDER ENGINE

MODEL YEAR	APPLICATION	ENGINE	TYPE	O.E. PART NO.	REMAN PART NO.
1994-86	All w/Turbo; dual switch (partial)	2.2L/2.5L	Elect.	5227274	R5227274
1994-81	All w/TBI; single switch (complete)	2.2L/2.5L	Elect.	5226575	R5226575
1983-78	L Body (excluding 1980)	1.7L	Elect.	5206276	R0212143
1980	L Body, w/AT	1.7L	Elect.	4318111	R0212144
	L Body, w/MT	1.7L	Elect.	4318112	R0212145

PASSENGER CARS... 6-CYLINDER ENGINE

MODEL YEAR	APPLICATION	ENGINE	TYPE	O.E. PART NO.	REMAN PART NO.
1983-73	All	225 CID	Elect.	3874083	R0212101

PASSENGER CARS... 8-CYLINDER ENGINE 318 CID

MODEL YEAR	APPLICATION	TYPE	O.E. PART NO.	REMAN PART NO.
1981-77	All (excluding lean burn)	Elect.	3874299	R0212104
1976-73	All	Elect.	3874299	R0212104

PASSENGER CARS... 8-CYLINDER ENGINE 340 CID

MODEL YEAR	APPLICATION	TYPE	O.E. PART NO.	REMAN PART NO.
1973-72	All	Elect.	3874299	R0212104

D I S T R I B U T O R S (continued)

PASSENGER CARS... 8-CYLINDER ENGINE 360 CID

MODEL YEAR	APPLICATION	TYPE	O.E. PART NO.	REMAN PART NO.
1978-75	F, M, B, C Bodies w/SCN 95-96	Elect.	3874116	R0212104
1978-72	All (excluding lean burn)	Elect.	3874299	R0212104
1972	All (excluding lean burn)	Elect.	3755366	R0212104

TRUCKS... 6-CYLINDER ENGINE

MODEL YEAR	APPLICATION	ENGINE	TYPE	O.E. PART NO.	REMAN PART NO.
1993-88	All Trucks	3.9L	Elect.	4379229	R4379229
1983-73	All Trucks	225 CID	Elect.	3874083	R0212101

TRUCKS... 8-CYLINDER ENGINE 318 CID

MODEL YEAR	APPLICATION	TYPE	O.E. PART NO.	REMAN PART NO.
1992-90	All	Elect.	4379233	R4379233
1989-74	All, excluding 4-bbl	Elect.	3755202	R0212104
1981-80	All w/4-bbl	Elect.	3874299	R0212104
1979	All light-duty w/o lean burn	Elect.	3874299	R0212104
1978	All	Elect.	3874299	R0212104
1977-74	A1, B1-2-3, D-W1, R-M, 500-600 Series	Elect.	3874299	R0212104
1973-72	All	Elect.	3874299	R0212104

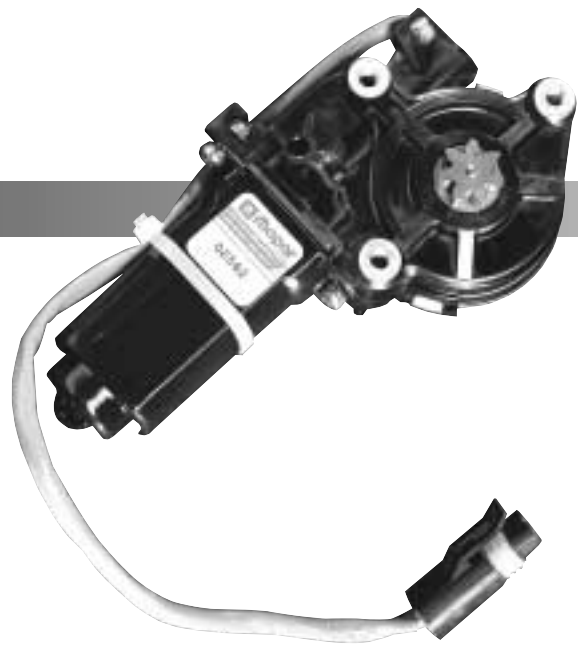
TRUCKS... 8-CYLINDER ENGINE 360 CID

MODEL YEAR	APPLICATION	TYPE	O.E. PART NO.	REMAN PART NO.
1992-90	All	Elect.	4379233	R4379233
1989-80	All (excluding 30 HD)	Elect.	4111955	R0212104
1981-72	All	Elect.	3874299	R0212104

W I N D O W L I F T M O T O R S

PRODUCT FEATURES:

- Brushes, brush springs, circuit breakers, gaskets, and O-rings 100% new
- Drive gears, armature, bushings, permanent magnet field remanufactured to DaimlerChrysler standards
- Armatures are rewound to O.E. specifications
- Tested for proper current, ground and contact
- Fully computerized testing and measurement system ensures proper functioning of the motor
- All Reman applications apply to front and rear windows unless noted



Electrical/
Electronics

PASSENGER CARS

MODEL YEAR	APPLICATION	O.E. PART NO.	REMAN PART NO.
1997-93	LH Body (Right)	4624624	R4624624
1997-93	LH Body (Left)	4624625	R4624625
1995-93	AJ Body Convertible, Y Body (Right)	4467290	R4467290
1995-93	AJ Body Convertible, Y Body (Left)	4467291	R4467291
1992-89	C, J, Q, Y Bodies (Right)	4467290	R4467290
1992-89	C, J, Q, Y Bodies (Left)	4467291	R4467291

MINIVANS

MODEL YEAR	APPLICATION	O.E. PART NO.	REMAN PART NO.
1995-91	AS Body (Left)	4675181	R4675181
1995-91	AS Body (Right)	4675180	R4675180
1990-84	AS Body (Right)	4467360	R4467360
1990-84	AS Body (Left)	4467361	R4467361

TRUCKS

MODEL YEAR	APPLICATION	O.E. PART NO.	REMAN PART NO.
1990-80	AD Body (Left)	4467283	R4467283
1990-80	AD Body (Right)	4467282	R4467282

JEEP®

MODEL YEAR	APPLICATION	O.E. PART NO.	REMAN PART NO.
1998-93	ZJ Body (Right) - Front window only	56005164	R6005164
1998-93	ZJ Body (Left) - Front window only	56005165	R6005165

W I N D O W W I P E R M O T O R S

PRODUCT FEATURES:

- Component parts gauged and tested to DaimlerChrysler specifications
- Replacement of all worn parts



PASSENGER CARS AND TRUCKS

MODEL YEAR	APPLICATION	SHAFT SIZE	O.E. PART NO.	REMAN PART NO.
1998-97	PL Body	-	5011390AA	R5011390AA
1998-96	NS Body	-	4673013	R4673013
1998-95	JA, JX Bodies	-	5288416AE	R5288416AE
1997-93	LH Body	-	4769121	R4769121
1997-88	AB, AD Bodies	-	4389131	R4389131
1996-94	PL Body	-	4741484	R4741484
1996-89	AN Body	-	4389131	R4389131
1995-89	G, J, Q, S Bodies	-	4389132	R4389132
1995-89	A, C, P, Y Bodies	-	4389131	R4389131
1992-91	E Body	-	4584260	R4584260
1987-85	All Bodies	5/16"	4339449/4467258	R0810006
1984-78	All Bodies with "On Glass" Park (2-speed)	5/16"	4205998	R0810001
	E, F, L, K, M Bodies (2-speed)	5/16"	4205951	R0810005
1980	All Bodies with "On Glass" Park (2-speed)	5/16"	4186956	R0810004

JEEP®

MODEL YEAR	APPLICATION	O.E. PART NO.	REMAN PART NO.
1999-94	XJ Body	4856478	R4856478
1998-97	TJ Body	4864892	R4864892
1998-97	ZJ Body	4874839	R4874839
1996-93	ZJ Body	55155288	R5155288
1995-87	YJ Body	56030005	R6030005
1993-91	MJ, XJ Bodies	4856478	R4856478
1990-87	MJ, XJ Bodies	4856478	R4856478
1986-84	MJ, XJ Bodies	4856478	R4856478

Note: For 1991-84 applications, order jumper wire P/N 04728877.

B A C K L I T E W I P E R M O T O R S

PRODUCT FEATURES:

- Brushes, brush springs, circuit breakers, gaskets, and O-rings 100% new
- Drive gears, armature, bushings, permanent magnet field remanufactured to DaimlerChrysler standards
- Armatures are rewound to O.E. specifications
- Tested for proper current, ground and contact
- Fully computerized testing and measurement system ensures proper functioning of the motor



MINIVANS

MODEL YEAR	APPLICATION	O.E. PART NO.	REMAN PART NO.
1998-96	NS Body	4673010	R4673010
1995-91	AS Body (includes bracket)	4673326	R4673326
1990-84	AS Body (includes bracket)	4270437	R4270437

TRUCKS

MODEL YEAR	APPLICATION	O.E. PART NO.	REMAN PART NO.
1999-98	DN Body	55076648	R5076648

JEEP®

MODEL YEAR	APPLICATION	O.E. PART NO.	REMAN PART NO.
2000-97	TJ Body	55155322AB	R5155322AB
1996-95	ZJ Body	55155040	R5155040
1996-91	XJ Body	55155317	R5155317
1995-94	ZJ Body	55154787	R5154787
1990-84	XJ Body	4856364	R4856364

S T A R T E R S



PRODUCT FEATURES:

- New brushes and holders
- New battery posts, copper field coils and noise reduction pads
- A new pinion assembly
- A new solenoid switch
- A new over-running clutch

All remanufactured starters are torque- and load-tested to O.E. specifications and are sold as complete, replaceable assemblies.

PASSENGER CARS

MODEL YEAR	APPLICATION	O.E. PART NO.	REMAN PART NO.
1999-97	PR Body w/3.9L	4609011	R4609011
1997-94	JA, JX, PL Bodies w/2.0L	4793210AB	R4793210AB
1997-93	LH Body w/3.5L	4609011	R4609011
1995-90	AA, AJ, AP Bodies w/2.2L, 2.5L	5233006	R5233006
1995-90	AA, AJ, AP Bodies w/3.0L	4557284	R4557284
1994-93	A, P Bodies w/3.0L	4557284	R4557284
1994-91	A, C, G, J, P Bodies w/2.2L, 2.5L	4671130	R4671130
1993	C, Y Bodies w/3.3L, 3.8L	4686045	R4686045
1993-91	C, G, J, Y Bodies w/3.0L	4557284	R4557284
1992	C, Y Bodies w/3.3L	4686045	R4686045
1991-90	C, Y Bodies w/3.3L	4686045	R4686045
1990	A, C, G, J, Y Bodies w/3.0L	5234648	R5234648
1990	A, C, G, J Bodies w/3.0L Bosch	4467185	R4467185
1990-86	All w/2.2L, 2.5L (FWD)	5233006	R5233006
1989-88	M Bodies w/5.2L	4379144	R4379144
1987-81	All w/2.6L	MD025235	R0171383
1987-75	All RWD w/6- & 8-cyl. (1.8 hp)	4145360	R0171375
1985-84	All w/2.2L Turbo	5213450	R5213450
1985-81	All w/2.2L (w/o Turbo)	5213045	R0171382
1982-79	L Body w/1.7L (AT & 460 MT)	4240430	R0171377
1982-78	L Body w/1.7L (412 MT)	4057937	R0171378
1981-69	All RWD w/6- & 8-cyl. (1.5 hp)	4145359	R0171376

MINIVANS

MODEL YEAR	APPLICATION	O.E. PART NO.	REMAN PART NO.
1995-93	AS Body w/3.0L	4557284	R4557284
1995-90	AS Body w/2.2L, 2.5L	4671130	R4671130
1993	AS Body w/3.3L, 3.8L (except ES)	4686045	R4686045
1992	AS Body w/3.3L (except ES)	4686045	R4686045
1992-91	AS Body w/3.0L	4557284	R4557284
1991-90	AS Body w/3.3L	4686045	R4686045
1990	AS Body w/3.0L	5234648	R5234648
1990	AS Body w/3.0L Bosch	4467185	R4467185

STARTERS (continued)

TRUCKS

MODEL YEAR	APPLICATION	O.E. PART NO.	REMAN PART NO.
1998-87	AN Body w/2.5L	4796981	R4796981
1996-89	AN Body w/2.5L	4671130	R4671130
1995-94	AB, BR, AN Bodies w/3.9L, 5.2L, 5.9L	53005984	R3005984
1993-91	AB, AD, AN Bodies w/3.9L, 5.2L, 5.9L		
1990-88	AN Body w/3.9L	4379144	R4379144
1990-88	AN Body w/5.9L	4428221	R4428221
1990-88	B, D, W 100-350 Bodies w/3.9L	4379144	R4379144

IMPORT AND DIAMOND STAR PASSENGER CARS

MODEL YEAR	APPLICATION	O.E. PART NO.	REMAN PART NO.
1996-95	Stealth w/3.0L, AT	MD309472	R309472M
1996-95	Stealth w/3.0L, 6-speed	MD309471	R309471M
1994-92	Colt/Summit/Vista w/1.8L, AT	MD174482	R174482M
	Colt w/2.4L, AT	MD172861	R162840M
1994-91	Laser/Talon w/1.8L, AT	MD162838	R162838M
	Laser/Talon w/2.0L, AT	MD172861	R162840M
	Stealth w/3.0L, AT	MD162843	R162843M
	Stealth w/3.0L, MT	MD172863	R162842M
1994	Colt w/1.8L, AT	MD180241	R180241M
	Colt w/1.8L, MT	MD174483	R174483M
	Colt w/2.4L, MT	MD099667	R099667M
	Vista w/2.4L, AT	MD178511	R178511M
1992	Vista w/1.8L, MT	MD161437	R161437M
1992-89	Laser/Talon w/1.8L	MD100431	R100431M
	Laser/Talon w/2.0L	MD099667	R099667M
1991	Colt/Summit w/1.5L, AT	MD162838	R162838M
	Stealth w/3.0L & 5-speed	MD162842	R162842M
1990	Colt LC w/1.5L, MT	MD081567	R081567M
	Colt LC w/1.6L	MD099667	R099667M
	Vista w/2.0L, AT		
1990-87	Vista w/2.0L, MT	MD100431	R100431M
1989	Colt LC w/1.5L, MT	MD081567	R081567M
	Colt w/1.6L	MD099667	R099667M
	Vista w/2.0L, AT		
1988-87	Colt w/1.5L, 1.6L	MD100431	R100431M
	Colt w/1.5L, 1.6L, MT	MD081567	R081567M
	Vista w/2.0L, AT	MD099667	R099667M

S T A R T E R S (continued)

IMPORT AND DIAMOND STAR PASSENGER CARS (CONT.)

MODEL YEAR	APPLICATION	O.E. PART NO.	REMAN PART NO.
1986	Colt w/1.5L, 1.6L, AT	MD100431	R100431M
1986-84	Colt w/1.6L, MT	MD081567	R081567M

IMPORT AND DIAMOND STAR TRUCKS

MODEL YEAR	APPLICATION	O.E. PART NO.	REMAN PART NO.
1994	D50 w/3.0L	MD313327	R313327M
1991	Ram w/3.0L	MD162842	R162842M
1990	D50 w/2.4L & 5-speed trans	MD100431	R100431M
	D50 w/2.4L, AT	MD099667	R099667M
1989	D50, Raider w/2.0L, 2.6L, MT	MD099667	R099667M
1989-87	D50 w/2.0L, 5-speed (RWD only)	MD100431	R100431M
1988-87	D50 w/2.0L, 2.6L, 2 & 4 WD	MD099667	R099667M

Note: Refer to the Diesel product section for diesel applications.

JEEP®

MODEL YEAR	APPLICATION	O.E. PART NO.	REMAN PART NO.
1998-97	TJ, XJ Bodies w/2.5L	4796981	R4796981
1998-97	TJ, XY, ZJ Bodies w/4.0L	56041014	R6041014
1998-93	ZJ Body w/5.2L, 5.9L	56004934	R6004934
1996	XJ Body w/2.5L	4796981	JR775132
1996-94	XJ, YJ Bodies w/2.5L	4796981	R4796981
1996-94	XY, YJ, ZY Bodies w/4.0L	56041014	R6041014
1995-94	XJ, YJ Bodies w/2.5L	56027350	JR775132
1993-91	MJ, XJ, YJ, ZJ Bodies w/4.0L, 5.9L	56041014	R6041014
1993-87	MJ, XJ, YJ Bodies w/2.5L	4796981	R4796981
1993-86	MJ, XJ, YJ Bodies w/2.5L	83503480	JR775132
1990-88	SJ, YJ Bodies w/4.2L, 5.9L	56041014	R6041014
1990-87	MJ, XJ Bodies w/4.0L	56041014	R6041014
1987-83	All CJ, MJ, XJ Bodies w/2.5L, 4-cyl. Engine, w/o EFI	J3242283	JR775012
1987-72	All w/4.2L 6-cyl. & V8 Engine	J5752791	JR775001
1986	CJ Body w/2.5L	4796981	R4796981
1986-85	All w/V6 GM Engine	53002124	JR002124
1984	All w/V6 GM Engine	53000760	JR775013

S T A R T E R S (continued)

EAGLE/AMC PASSENGER CARS

MODEL YEAR	APPLICATION	O.E. PART NO.	REMAN PART NO.
1989-88	Premier, w/3.0L	33003210	JR775152
1987-72	All AMC w/6-cyl.	J5752791	JR775001
1986-83	All AMC w/2.5L (carb. only)	J3242283	JR775012
1979-72	All AMC w/V8	J5752791	JR775001

RENAULT

MODEL YEAR	APPLICATION	O.E. PART NO.	REMAN PART NO.
1989-88	Medallion	T0757741	JR775018
1987-86	GTA, Alliance, Encore w/1.7L	83503479	JR775133
1986-84	18i/Fuego, w/2.2L	T0757741	JR775018
1986-83	Alliance/Encore, w/1.4L	T0758217	JR775017
1985	Alliance/Encore w/1.7L*	33002633	JR775060

* In some early versions of the 1985 1.7L engine, a unique engine block was used which caused tight clearances between the engine block and the starter field housing. This block uses a starter motor with a flat cut on the field housing on the side towards the engine block. In addition to the cut, this modified starter has a daub of green paint on the drive housing. When replacing this type of starter, refer to the 1985 Jeep®/Eagle Parts Catalog.

FOUR CYLINDER CONTROLLERS

PRODUCT FEATURES:

- Engine controller for 2.0L 4-cylinder engine
- First powertrain control module (PCM) to contain the new OBDII emissions diagnostic system
- Utilizes "Task Manager" software
- Each unit is tested to meet O.E. specifications using the same series of tests as new parts
- Faulty components are replaced with new
- Unit fully re-sealed



PASSENGER CARS

MODEL YEAR	APPLICATION	TRANS.	O.E. PART NO.	REMAN PART NO.
1995	FJ Body w/2.0L MPI, DOHC, Fed (built after 6/19/94) ¹	MT	5013113AA	R5013113AA
	FJ Body w/2.0L MPI, DOHC, Fed, CA (built after 6/19/94)	AT (4EATX)	4874192	R4874192
	FJ Body w/2.0L MPI, DOHC, Bux (built after 6/19/94)	MT	5269657	R5269657
	FJ Body w/2.0L MPI, DOHC, CA (built after 6/19/94) ²	MT	5013112AA	R5013112AA
	FJ, FJ24 Body w/2.0L MPI, DOHC, CA (built after 6/19/94)³	MT	4874190	R4874190
	FJ, FJ24 Body w/2.0L MPI, DOHC, Fed (built after 6/19/94)³	MT	4874191	R4874191
1995-94	PL Body w/2.0L MPI, Fed, Low Alt.	MT	4874154	R4874154
	PL Body w/2.0L MPI, Fed, Hi Alt., CA	MT	4874155	R4874155
	PL Body w/2.0L MPI, Fed, Low Alt.	AT (3ATX)	4874156	R4874156
	PL Body w/2.0L Fed, Hi Alt.	AT (3ATX)	4874158	R4874158
	PL Body w/2.0L MPI, CA (TLEV)	AT (3ATX)	4874159	R4874159
	PL Body w/2.0L MPI, DOHC, Fed, Low Alt.	MT	4874162	R4874162
	PL Body w/2.0L MPI, DOHC, Fed, CA, Hi Alt.	MT	4874163	R4874163
	PL Body w/2.0L MPI, DOHC, Fed, CA, (ACR)	MT	4874164	R4874164
	PL Body w/2.0L MPI, DOHC, Fed, Low Alt.	AT (3ATX)	4874165	R4874165
	PL Body w/2.0L MPI, DOHC, Fed, CA, Hi Alt.	AT (3ATX)	4874166	R4874166
1995-94	PL Body w/2.0L MPI, DOHC, Bux	MT	5293393	R5293393
	P1 Body w/2.0L MPI, DOHC, Mexico	MT	5293479	R5293479
	P1 Body w/2.0L MPI, DOHC, Mexico	AT (3ATX)	5293481	R5293481
	PL Body w/2.0L MPI, DOHC, Bux	MT	5293393	R5293393
	PL Body w/2.0L MPI, DOHC, Mexico	MT	5293479	R5293479
	PL Body w/2.0L MPI, DOHC, Mexico	AT (3ATX)	5293481	R5293481
1995-94	FJ Body w/2.0L MPI, DOHC, Fed (built before 6/19/94) ¹	MT	5013115AA	R5013115AA
	FJ Body w/2.0L MPI, DOHC, Fed, CA (built before 6/19/94)	AT (4EATX)	4882239	R4882239
	FJ Body w/2.0L MPI, DOHC, CA (built before 6/19/94) ²	MT	5013114AA	R5013114AA
	FJ, FJ24 Body w/2.0L MPI, DOHC, Fed (built after 6/19/94)³	MT	4882238	R4882238

¹Emissions recall #7671 must be completed on vehicle prior to installing module.

²Emissions recall #7672 must be completed on vehicle prior to installing module.

³W/O Emissions recall #7671 and #7672.

S I N G L E B O A R D E L E C T R O N I C C O N T R O L L E R S (S B E C)

PRODUCT FEATURES:

- Preprogrammed, digital computer – adjusts air-fuel ratios, ignition timing, and alternator charge rate for optimal performance
- Self tests many input and output circuits
- Faults stored in memory – accessed by Diagnostic Readout Box III (DRBIII)



PASSENGER CARS

MODEL YEAR	APPLICATION	TRANS.	O.E. PART NO.	REMAN PART NO.
1997	FJ Body 2.5L MPI	AT	4606319AE	R4606319AE
	FJ Body 2.0L MPI DOHC Fed, CA, Taiwan	AT(4EATX)	5293014AD	R5293014AD
	FJ Body 2.0L MPI DOHC Fed, CA	MT	5293013AD	R5293013AD
	JA Body 2.0L 126 MPH Lim 50 State	MT	4606481AD	R4606481AD
	JA Body 2.4L 108 MPH Lim 50 State	AT	4606483AF	R4606483AF
	JA Body 2.4L 126 MPH Lim 50 State	AT	4606484AF	R4606484AF
	JA, J2 Bodies 2.4L Mex.	AT	4606644AE	R4606644AE
	JA Body 2.5L 108 MPH Lim 50 State	AT	4606386AJ	R4606386AJ
	JA Body 2.5L 126 MPH Lim 50 State	AT	4606685AJ	R4606685AJ
	JA Body 2.5L Euro	AT	4606825AF	R4606825AF
	JA Body 2.5L 108 MPH Lim GCC	AT	4606427AC	R4606427AC
	JA Body 2.5L 126 MPH Lim GCC	AT	4606428AC	R4606428AC
	JX Body 2.0L Euro, BUX	MT	4671262AD	R4671262AD
	JX Body 2.4L 108 MPH Lim 50 State	AT	4671261AF	R4671261AF
	JX Body 2.5L 108 MPH Lim 50 State	AT	4671259AK	R4671259AK
	LH Body 3.3L MPI Fed	AT	4606761AF	R4606761AF
	LH Body 3.3L MPI CA, MA, NY TLEV	AT	4606760AF	R4606760AF
	LH Body 3.5L MPI w/HI SPD Tires 50 State	AT	4606763AH	R4606763AH
	LH Body 3.5L MPI w/Normal Tires 50 State	AT	4606762AH	R4606762AH
	PL, P2 Body 3.0L MPI Leaded	AT(3ATX)	5293009AC	R5293009AC
	P1 Body 2.0L MPI DOHC Mex H.P. ECM	AT(3ATX)	5293007AA	R5293007AA
	PL Body 2.0L MPI DOHC Fed, CA	AT(3ATX)	5293005AD	R5293005AD
	PL Body 2.0L MPI DOHC Fed, CA ACR	MT	5293004AD	R5293004AD
	PL Body 2.0L MPI DOHC Fed, CA	MT	5269998AD	R5269998AD
	PL Body 2.0L MPI BUX, Japan, Right/Left Hand Drive	AT(3ATX)	5269997AC	R5269997AC
	PL Body 2.0L MPI CA TLEV	AT(3ATX)	5269996AH	R5269996AH
	PL, P2 Body 2.0L MPI FED, Taiwan	AT(3ATX)	5269995AD	R5269995AD
	PL, P2 Body 2.0L MPI Fed, CA	MT	5269991AE	R5269991AE
	JA Body 2.0L Euro	MT	4606329AD	R4606329AD
	JA Body 2.0L 108 Lim 50 State	MT	4606482AD	R4606482AD
	JA Body 2.0L 108 MPH Lim 50 State	AT	4606580AD	R4606580AD

S I N G L E B O A R D E L E C T R O N I C C O N T R O L L E R S (S B E C)

(continued)

PASSENGER CARS (CONT.)

MODEL YEAR	APPLICATION	TRANS.	O.E. PART NO.	REMAN PART NO.
1996	FJ Body w/2.0L DOHC Fed, CA	MT	4887051	R4887051
	LH Body 3.5L Limited 50 State	AT	5012676AA	R5012676AA
	PL Body 2.0L MPI Fed, CA	MT	5269939	R5269939
	PL Body 2.0L MPI Fed	AT(3ATX)	5269941	R5269941
	PL Body 2.0L MPI TLEV CA	AT(3ATX)	5269942	R5269942
	PL Body 2.0L MPI DOHC Fed, CA	AT(3ATX)	5269945	R5269945
	JA Body 2.0L 108 MPH Lim w/LDP 50 State	AT	4886468AA	R4886468AA
	JA Body 2.0L 126 MPH Lim w/o Firm Susp. 50 State	AT	4886470AA	R4886470AA
	JA Body 2.0L 108 MPH Lim w/o LDP 50 State	AT	4886472AA	R4886472AA
	JA Body w/2.0L 128 MPH w/o Firm Susp. 50 State	MT	4886469AA	R4886469
	JA Body w 2.4L w/o Firm Susp. 50 State	AT	5015121AA	R5015121AA
	JA Body 2.5L 126 MPH Lim 50 State	AT	4897832AE	R4897832AE
	JA Body 2.5L 108 MPH Lim 50 State	AT	4897833AE	R4897833AE
	JA Body 2.4L w/Firm Susp. 50 State	AT	5015120AA	R5015120AA
	JX Body w/2.4L 50 State	AT(4EATX)	5015122AA	R5015122AA
	FJ Body 2.5L 50 State	AT	4897869AB	R4897869AB
	FJ Body 2.0L DOHC Fed, CA	AT(4EATX)	4887050	R4887050
	LH Body 3.3L Fed	AT	4897402AA	R4897402AA
	LH Body 3.3L TLEV	AT	4897405AA	R4897405AA
	LH Body 3.5L Unlimited 50 State	AT	5012677AA	R5012677AA
1995	LH Body 3.3L MPI FFV CA	AT(3ATX)	4606084	R4606084
	LH Body 3.5L MPI Limited 50 State	AT	4606190	R4606190
	LH Body 3.5L MPI Unlimited 50 State	AT	4606248	R4606248
	LH Body 3.5L MPI Limited 50 State	AT	4606841	R4606841
	JA Body w/2.0L 108 MPH Lim 50 State	MT	4606175	R4606175
	JA Body 2.4L 108 MPH Lim 50 State	AT	4606185	R4606185
	JA Body 2.5L 108 MPH Lim 50 State	AT	5010270AA	R5010270AA
	JA Body 2.5L 126 MPH Lim 50 State	AT	5012458AA	R5012458AA
	FJ Body 2.5L 50 State	AT	5011509AA	R5011509AA
	A Body w/2.5L TBI, Fed, CA	AT (3ATX)	4686886	R4686886
	A, A1, J Bodies w/3.0L MPI, Fed, RFI	AT (3ATX & 4EATX)	4887979AA	R4887979AA
	LH Body w/3.3L MPI 50 State	AT	4606240	R4606240
	LH Body w/3.3L MPI 50 State, RFI	AT	4606243	R4606243
	LH Body w/3.5L MPI 50 State, Limited	AT	4606253	R4606253
	LH Body w/3.5L MPI 50 State, Limited, RFI	AT	4606177	R4606177
1995-94	LH Body w/3.5L MPI Unlimited CA	AT	4605137	R4605137
1994	A Body w/2.5L TBI, Fed	AT (3ATX)	4727008	R4727008
	A, P Bodies w/2.5L TBI, CA	AT (3ATX)	4727004	R4727004
	A, J, P Bodies w/3.0L MPI, CA	AT (3ATX & 4EATX)	4887176AA	R4887176AA
	A, J, P, 1 Bodies w/3.0L MPI, Fed	AT (3ATX & 4EATX)	4887174AA	R4887174AA
	A, J, P, 1 Bodies w/3.0L MPI, Fed, RFI	AT (3ATX & 4EATX)	4887175AA	R4887175AA
	LH Body w/3.3L MPI, 50 States	AT	4759139	R4759139
	LH Body w/3.5L MPI, Limited, Fed	AT	4653134	R4653134
	LH Body w/3.5L MPI, Limited, CA	AT	4653135	R4653135
	LH Body w/3.5L MPI, Unlimited, Fed	AT	4653136	R4653136
	P Body w/2.2L TBI, Fed, CA	AT (3ATX)	4778518	R4778518
	P Body 2.5L TBI Fed	AT(3ATX)	4727002	R4727002
	A Body 2.5L TBI Bux (Taiwan)	AT(3ATX)	4727010	R4727010

Electrical/
Electronics

S I N G L E B O A R D E L E C T R O N I C
C O N T R O L L E R S (S B E C)

(continued)

PASSENGER CARS (CONT.)

MODEL YEAR	APPLICATION	TRANS.	O.E. PART NO.	REMAN PART NO.
1993	A, G, P Bodies w/2.5L TBI, Fed, CA	MT	4727106	R4727106
	A, G, J, P Bodies w/2.5L TBI, Fed, BUX	AT (3ATX)	4727026	R4727026
	A, G, J, P, 1 Bodies w/3.0L MPI, Mex, Fed	AT (3ATX & 4EATX)	4887258	R4887258AA
1993	C, Y Bodies w/3.3L MPI, Fed	AT (4EATX)	4887262	R4887262AA
	G, J, P Bodies w/3.0L MPI, Fed, CA	MT	4773859	R4773859
	LH Body w/3.3L MPI, Fed	AT	4605427	R4605427
	LH Body w/3.3L MPI, CA	AT	4605428	R4605428
	LH Body w/3.5L MPI, CA	AT	4605435	R4605435
	LH Body w/3.5L MPI, Fed	AT	4605429	R4605429
	LH Body w/3.5L MPI, w/High Speed Tires, Fed	AT	4605436	R4605436
	P Body w/2.2L TBI, Fed, CA	MT	4778510	R4778510
	P Body w/2.2L TBI, Fed	AT (3ATX)	4778512	R4778512
	Y Body w/3.8L MPI, Fed	AT (4EATX)	4887286	R4887286AA
1992	A, G, J, P Bodies w/2.5L TBI, Fed, Bux	AT (3ATX)	4778494	R4778494
	A, G, J, P Bodies w/2.5L TBI, CA	AT (3ATX)	4778496	R4778496
	A, G, P Bodies w/2.5L TBI, Fed, CA	MT	4778490	R4778490
	A, G, J, P, 1 Bodies w/3.0L MPI, Fed, Mexico	AT (3ATX & 4EATX)	4778002	R4778002
	C Body w/2.5L TBI, Fed	AT (3ATX)	4778498	R4778498
	C, Y Bodies w/3.3L MPI, Fed	AT (4EATX)	4762726	R4762726
	C, Y Bodies w/3.3L MPI, CA	AT (4EATX)	4762728	R4762728
	G, J, P Bodies w/3.0L MPI, Fed	MT	4778008	R4778008
	G, J, P Bodies w/3.0L MPI, Fed, CA	MT	4773859	R4773859
	P Body w/2.2L TBI, Fed	AT (3ATX)	4778486	R4778486
	P Body w/2.2L TBI, Fed, CA	MT	4778484	R4778484
	P Body w/2.2L TBI, CA	AT (3ATX)	4778488	R4778488
	Y Body w/3.8L MPI, Fed	AT (4EATX)	4762740	R4762740
	Y Body w/3.8L MPI, CA	AT (4EATX)	4762742	R4762742
1991	A Body w/2.2L Turbo III/16 Valve, Fed	MT	4639393	R4639393
	A, G, J, P. Bodies w/2.5L, TBI, Fed	AT (A413)	4672522	R4672522
	A,G,J,P Bodies w/2.5L TBI, CA	AT (3ATX)	4672524	R4672524
	A,G,J Bodies w/3.0L, MPI, Fed	AT	4723508	R4723508
	C,Y Bodies w/3.3L, MPI, Fed (up to 12/17/90) w/VTA	AT (4EATX)	4686430	R4686430
	C,Y Bodies w/3.3L, MPI, Fed (after 12/17/90) w/o VTA	AT (4EATX)	4686442	R4686442
	C Body w/2.5L TBI, Fed	AT (3ATX)	4672526	R4672526
	C, Y Bodies w/3.3L MPI, CA	AT (4EATX)	4686444	R4686444
	G, J Bodies w/3.0L, MPI, Fed, CA	MT	4723559	R4723559
	P Body w/2.2L, TBI, Fed	AT	4672510	R4672510
1990	A,G,J,P Bodies w/2.5L TBI, Fed	MT	4686562	R4686562
	A,G,J,P Bodies w/2.5L Turbo Seq., Fed	MT	4686592	R4686592
	A,G,J,P Bodies 2.5L TBI, Fed	AT (3ATX)	4686558	R4686558
	A,G,J,P Bodies 2.5L Turbo, Fed	AT (4EATX)	4686588	R4686588
	A,G,J Bodies 3.0L MPI, Fed	AT (4EATX)	4740810	R4740810
	C Body w/2.5L, TBI, Fed	AT (4EATX)	4686648	R4686648
	C, Y Bodies w/3.0L, MPI, Fed	AT (4EATX)	4740814	R4740814
	C, Y Bodies w/3.3L, MPI, w/DIS, Fed	AT (4EATX)	4686656	R4686656
	C, Y Bodies w/3.3L, MPI, w/DIS, CA	AT (4EATX)	4686658	R4686658
	G,J,P Bodies w/2.2L Turbo IV, Fed	MT	4886596	R4686596
1989	L, P Bodies w/2.2L TBI, Fed	AT (3ATX)	4686544	R4686544
	Y,C Bodies w/3.0L, MPI, Fed	AT	4639382	R4773110

S I N G L E B O A R D E L E C T R O N I C C O N T R O L L E R S (S B E C)

(continued)

MINIVANS

MODEL YEAR	APPLICATION	TRANS.	O.E. PART NO.	REMAN PART NO.
1997	GS Body 2.0L SOHC, BUX	MTX5	4727210AG	R4727210AG
	GS Body 3.8L MPI, AWD, BUX	AT	4727215AG	R4727215AG
	GS Body 2.4L DOHC, BUX	MTX5	4748211AG	R4748211AG
	GS Body 3.3L MPI, BUX	AT	4748212AG	R4748212AG
	GS Body 3.3L MPI, Leaded Fuel, BUX	AT	4748231AG	R4748213AG
	NS Body 3.8L MPI, AWD, 50 State	AT	4727208AG	R4727208AG
	NS Body 3.8L FWD, 50 State	AT	4727207AI	R4727207AI
	NS Body 3.3L MPI, CA, TLEV	AT	4727205AI	R4727205AI
	NS Body 3.3L MPI, Fed	AT	4727204AI	R4727204AI
	NS Body 3.0L MPI, Fed	AT (3ATX)	4727203AG	R4727203AG
	NS Body 3.8L MPI, FWD w/LDP, Fed, CA	AT	4748221	R4748221
	NS Body 3.3L MPI, Fed, CA	AT	4883267	R4883267
	NS Body 2.4L DOHC, 50 State	AT (3ATX/4EATX)	4727201AH	R4727201AH
	NS Body 3.3L MPI, TLEV, CA	AT	4883268	R4883268
	NS Body 3.3L MPI, FWD, Fed, CA, Hi/Alt	AT	4883269	R4883269
1996	NS Body 2.4L DOHC, Fed, CA	AT (EATX)	4727217	R4727217
	NS Body 3.0L MPI, Fed, CA	AT (3ATX)	4727218	R4727218
	NS Body 3.3L MPI w/LDP Fed, Hi/Alt	AT	4727219	R4727219
	NS Body 3.8L AWD w/LDP Fed, CA	AT	4727222	R4727222
	NS Body 3.3L MPI, TLEV w/LDP, CA	AT	4748220	R4748220
	NS Body 3.8L MPI, FWD w/LDP Fed, CA	AT	4748221	R4748221
	NS Body 3.3L MPI, Fed, CA	AT	4883267	R4883267
	NS Body 3.3L MPI, TLEV, CA	AT	4883268	R4883268
NS Body 3.3L MPI, FWD, Fed, CA, Hi/Alt	AT	4883269	R4883269	
1995	AS Body w/2.5L TBI, Fed, CA, BUX, RFI	AT (3ATX)	4686892	R4686892
	AS Body w/3.0L MPI, Fed, CA, RFI	AT (3ATX & 4EATX)	4887983AA	R4887983AA
	AS Body w/3.3L MPI, Fed, CA, RFI	AT (4EATX)	4887987AA	R4887987AA
1994	AS Body w/2.5L TBI, Fed, CA, BUX	AT (3ATX)	4727595	R4727595
	AS Body w/3.0L MPI, Fed, CA	AT (3ATX & 4EATX)	4887178AA	R4887178AA
	AS Body w/3.0L MPI, Fed, CA, RFI	AT (3ATX & 4EATX)	4887179AA	R4887179AA
	AS Body w/3.3L MPI, Fed, CA	AT (4EATX)	4887182AA	R4887182AA
	AS Body w/3.3L MPI, Fed, CA, RFI	AT (4EATX)	4887183AA	R4887183AA
	AS Body w/3.8L MPI, Fed, CA	AT	4887190AA	R4887190AA
1993	AS Body w/2.5L TBI, Fed, CA, BUX	AT (3ATX)	4727102	R4727102
	AS Body w/2.5L TBI, Fed, CA, BUX	AT (3ATX)	4727103	R4727103
	AS Body w/3.0L MPI, Fed, BUX, RFI	AT (3ATX & 4EATX)	4887246AA	R4887246AA
	AS Body w/3.3L MPI, CA, RFI	AT (4EATX) 2WD	4887269AA	R4887269AA
	AS Body w/3.3L MPI, Fed, CA, RFI	AT (4EATX) AWD	4887273AA	R4887273AA
	AS Body w/3.3L MPI, Fed, RFI	AT (4EATX)	4887267	R4887267AA
	AS Body w/3.3L MPI, AWD, Fed, CA	AT (4EATX)	4887272	R4887272AA

Electrical/
Electronics

S I N G L E B O A R D E L E C T R O N I C
C O N T R O L L E R S (S B E C)

(continued)

MINIVANS (CONT.)

MODEL YEAR	APPLICATION	TRANS.	O.E. PART NO.	REMAN PART NO.
1992	AS Body w/2.5L TBI, Fed, CA	AT (3ATX)	4778502	R4778502
	AS Body w/2.5L TBI, Fed	MT	4778500	R4778500
	AS Body w/2.5L TBI, BUX	MT	4778504	R4778504
	AS Body w/3.0L MPI, Fed	AT (3ATX & 4EATX)	4778018	R4778018
	AS Body w/3.0L MPI, CA	AT (3ATX & 4EATX)	4778020	R4778020
	AS Body w/3.3L MPI, Fed	AT (4EATX)	4762734	R4762734
	AS Body w/3.3L MPI, CA	AT (4EATX)	4762736	R4762736
	AS Body w/3.3L MPI, BUX W/O CA	AT (4EATX)	4762738	R4762738
1991	AS Body w/3.3L MPI, Fed	AT (4EATX)	4639372	R4639372
	AS Body w/3.0L, MPI, Fed	AT	4723513	R4723513
	AS Body w/2.5L TBI, Fed	AT (3ATX)	4672536	R4672536
	AS Body w/3.3L MPI, CA	AT (4EATX)	4639374	R4639374
1990	AS Body w/3.3L, MPI w/DIS, Fed	AT (4EATX)	4672435	R4672435
	AS Body w/3.3L, MPI w/DIS, CA	AT (4EATX)	4672438	R4672438
	AS Body w/3.0L MPI, Fed	AT	4686612	R4686612
	AS Body w/2.5L TBI, Fed	MT	4686640	R4686640
	AS Body w/2.5L TBI, Fed	AT (4EATX)	4686652	R4686652
	AS Body w/3.0L MPI, Fed	AT	4740816	R4740816
	AS Body w/3.0L MPI, CA	AT (4EATX)	4740817	R4740817
	AS Body w/2.5L Turbo Seq., Fed	AT (4EATX)	5235577	R5235577

Electrical/
Electronics

TRUCKS

MODEL YEAR	APPLICATION	TRANS.	O.E. PART NO.	REMAN PART NO.
1995	BR Body w/3.9L MPI Fed, CA, RFI	MT	56028316	R6028316
	BR Body w/8.0L MPI, Fed, CA, RFI	MT	56028330	R6028330
1995-94	AB Body w/ 3.9L MPI, Fed, CA, RFI	AT	4886665	R4886665
	AB Body w/5.2L MPI, Fed, CA, RFI	AT	4886671	R4886671
	AB Body w/5.9L MPI, Fed, RFI	AT	56028350	R6028350
	BR Body w/5.2L MPI, Fed, CA, RFI	AT	4886669	R4886669
	BR Body w/5.9L MPI, Fed, RFI	AT	56028326	R6028326
	BR Body w/5.9L MPI, CA, RFI	AT	56028475	R6028475
	BR Body w/5.9L MPI, Fed, CA, RFI	MT	56028324	R6028324
	BR Body w/5.9L MPI, Fed, CA, HD, RFI	AT	56028328	R6028328
	BR Body w/5.9L MPI, Fed, CA, HD, RFI	MT	56028439	R6028439
	BR Body w/8.0L MPI, Fed, CA, RFI	AT	4886673	R4886673

Note: Refer to the Diesel product section for diesel applications.

S I N G L E B O A R D E L E C T R O N I C C O N T R O L L E R S (S B E C)

(continued)

TRUCKS (CONT.)

MODEL YEAR	APPLICATION	TRANS.	O.E. PART NO.	REMAN PART NO.
1995-94	AN Body w/3.9L MPI, Fed, RFI	AT	4886661	R4886661
	AN Body w/3.9L MPI, Fed, RFI	MT	56028729	R6028729
	AN Body w/5.2L MPI, Fed, CA, RFI	AT	4886667	R4886667
	AN Body w/ 5.2L MPI, Fed, CA, RFI	MT	56028342	R6028342
1995-91	AN Body w/2.5L TBI, Fed	MT	53008921	R3008921
1994	AN Body 3.9L MPI GCC	MT	56028391	R6028391
1993	AB Body w/3.9L MPI, Fed	MT (T-111)	56027840	R6027840
	AB, AD, AN Bodies 5.2L MPI CA	MT	56027850	R6027850
	AB, AD, AN Bodies w/5.2L MPI, Fed	AT	56027848	R6027848
	AB, AD Bodies w/5.9L MPI, LD, Fed	AT	56026866	R6026866
	AD, AN Bodies w/3.9L MPI, Fed	MT	56027836	R6027836
	AD Body w/5.9L MPI, Fed, CA, HD	AT	56026872	R6026872
	AD Body w/5.9L MPI, Fed, CA	MT	56026870	R6026870
	AD, AN Bodies 3.9L MPI Fed	MT	56028749	R6028749
1992	AB Body w/3.9L MPI, Fed, RFI	AT	04741523	R4741523
	AB, AD, AN Bodies 5.2L MPI, Fed	AT	56027141	R6027141
	AB, AD, AN Bodies 5.2L MPI, CA	AT	56027143	R6027143
	AD, AN Bodies w/3.9L MPI, Fed, RFI	MT	56028749	R6028750
	AD Body 3.9L Fed, RFI	AT	4741522	R4741522
	AD Body w/5.2L MPI 4x4 Fed	MT	56027147	R6027147
	AD Body w/ 5.2L MPI 4x2 Fed	MT	56027145	R6027145
1992-91	AD Body Heavy Duty w/o RFI, Fed	AT (4-speed)	53008940	R3008940
1991	AB, AD Bodies w/5.2L EFI, Fed	AT (4-speed)	53008933	R3008933
	AB, AD Bodies w/5.2L EFI, Fed	AT (3-speed)	53008917	R3008917
	AB, AD Bodies w/5.2L EFI, CA	AT (4-speed)	53008935	R3008935
	AB, AD Bodies w/3.9L EFI, Fed	AT (3-speed)	53008912	R3008912
	AD Body w/5.9L LD, Fed	MT	53008937	R3008937
	AN Body w/5.2L EFI, Fed	AT (4-speed)	53008924	R3008924
	AN Body w/3.9L EFI, Fed	AT (4-speed)	53008923	R3008923
	AN Body w/5.2L EFI CA	AT (4-speed)	53008928	R3008928
1990	AB, AD Body w/5.9L, EFI, LD, Fed	AT (4-speed)	4557571	R4557571
	AB, AD Body w/5.2L, EFI, CA	AT (4-speed)	4557559	R4557559
	AB, AD Body w/5.9L, EFI, CA, LD	AT (4-speed)	4557573	R4557573
	AB, AD Body w/5.2L, EFI, Fed	AT (A998-99)	4557561	R4557561
	AN Body w/3.9L EFI, Fed	AT (4-speed)	4557481	R4557481

Note: Refer to the Diesel product section for diesel applications.

S I N G L E B O A R D E L E C T R O N I C C O N T R O L L E R S (S B E C)

(continued)

TRUCKS (CONT.)

MODEL YEAR	APPLICATION	TRANS.	O.E. PART NO.	REMAN PART NO.
1990	AB, AD Body w/5.2L, EFI, Fed	AT (A500-518)	4557511	R4557511
	AB, AD Body w/3.9L, EFI, Fed	AT (3-speed)	4557493	R4557493
	AD Body w/5.9L, EFI, LD, Fed	MT	4557575	R4557575
	AN Body w/3.9L, EFI, Fed	MT	4557497	R4557497

Note: Refer to the Diesel product section for diesel applications.

JEEP®

MODEL YEAR	APPLICATION	TRANS.	O.E. PART NO.	REMAN PART NO.
1995	XJ Body w/2.5L MPI, Fed, RFI	MT	56028843	R6028843
	XJ Body w/4.0L MPI, 50 State, RFI	AT (4-speed)	56027698	R6027698
	XJ Body w/4.0L MPI, Fed, RFI	MT	56028852	R6028852
	YJ Body w/2.5L MPI, Fed, RFI	AT	56028833	R6028833
	YJ Body w/2.5L MPI, Fed, RFI	MT	56028829	R6028829
	ZJ Body w/4.0L MPI, CA, RFI	AT (4-speed)	56028031	R6028031
	ZJ Body w/5.2L MPI, 50 State, RFI	AT (4-speed)	56026790	R6026790
1995-94	ZJ Body w/4.0L MPI, Fed, RFI	AT (4-speed)	56028027	R6028027
1994	XJ Body w/2.5L MPI, 50 State, RFI	MT	56027884	R6027884
	XJ Body w/4.0L MPI, Fed, RFI	AT (4-speed)	56027888	R6027888
	XJ Body w/4.0L MPI, 50 State, RFI	MT	56027890	R6027890
	XJ Body w/4.0L MPI, CA, RFI	AT (4-speed)	56028044	R6028044
	XJ Body w/4.0L MPI, ECE, RFI	AT (4-speed)	56027892	R6027892
	YJ Body w/2.5L MPI, 50 State, RFI	MT	56027575	R6027575
	YJ Body w/4.0L MPI, 50 State, RFI	MT	56027579	R6027579
	ZJ Body w/4.0L MPI, Fed, RFI	AT (4-speed)	56028311	R6028311
	YJ Body w/4.0L MPI, ECE	MT	56027589	R6027589
	YJ Body w/4.0L MPI, ECE/GCC	AT (3-speed)	56027686	R6027686
	XJ Body w/4.0L MPI, GCC	AT (4-speed)	56027785	R6027785
	XJ Body w/4.0L MPI, ECE	MT	56027894	R6027894
	XJ Body w/4.0L MPI, Fed, Police	AT (3-speed)	56027895	R6027895
	ZJ Body w/4.0L MPI, 50 State	MT	56027899	R6027899
	YJ Body w/4.0L MPI, CA	AT (3-speed)	56028042	R6028042
ZJ Body w/5.2L MPI, ECE	AT (4-speed)	56028115	R6028115	
1994-93	ZJ Body w/4.0L MPI, CA, RFI	AT (4-speed)	56028313	R6028313
	ZJ Body w/5.2L MPI, 50 State, RFI	AT (4-speed)	56028113	R6028113

S I N G L E M O D U L E E N G I N E C O N T R O L L E R S (S M E C)

PRODUCT FEATURES:

- Monitors all engine sensors
- Automatically adjusts various engine functions for top driving performance



PASSENGER CARS

MODEL YEAR	APPLICATION	TRANS.	O.E. PART NO.	REMAN PART NO.
1989	A Body w/2.5L Turbo I w/CCD, Fed	AT (A3)	5235285	R5235285
	A, G, H, J, K, P Bodies w/2.5L, TBI, Fed	AT	5234932	R5235275
	A, H, K, L Bodies w/2.2L TBI, Fed	AT	5234922	R4557518
	C Body w/2.5L TBI w/CCD, Fed	AT	5235277	R5235277
	C, G, H, J, P, K Bodies w/2.5L Turbo I, Fed	AT	5235283	R5235283
	All w/2.5L Turbo I, CA	AT	5235299	R5235299
	All w/2.5L TBI, Fed	MT	5234940	R5234940
	All w/2.5L TBI, CA	AT	5235279	R5235279
1988	C Body 2.5L TBI CA	AT	5235281	R5235281
	C Body w/3.0L, MPI w/CCD, Fed	AT	5233716	R5276442
	E, G, H, J, K, P Bodies w/2.5L TBI, Fed	AT	5233686	R5233264
	E, G, H, J, K, P Bodies w/2.2L w/Turbo, Fed	AT	5233982	R5233242
	E, H, K, L, P Bodies w/2.2L, TBI, Fed	AT	5233676	R5234180
	L Body w/2.2L, TBI, lo/wt, Fed	MT	5233682	R5233234
	All w/2.2L TBI, hi/wt, Fed	MT	5233236	R5233236
	All w/2.5L TBI, CA	AT	5233274	R5233274
	All w/2.5L TBI, Fed	MT	5233268	R5233268
	All w/2.2L Turbo I, Fed	MT	5233244	R5233244
	All w/2.2L Turbo I, CA	AT	5233252	R5233252
	All w/3.0L MPI w/CCD, CA	AT	5234245	R5234245
	All w/2.2L TBI, CA	AT	5234186	R5234186

S I N G L E M O D U L E E N G I N E C O N T R O L L E R S (S M E C)

(continued)

MINIVANS

MODEL YEAR	APPLICATION	TRANS.	O.E. PART NO.	REMAN PART NO.
1989	AS Body w/2.5L, TBI, Fed	AT	5234944	R5234659
	AS Body w/2.5L, Turbo I, Fed	AT	5234529/5235105	R5235139
	AS Body w/3.0L, MPI w/CCD, Fed	AT	4639386	R4773107
	AS Body w/3.0L, MPI w/CCD, CA	AT	4773108	R4773108
1988	AS Body w/2.5L, TBI	AT	5233590	R5233220
	AS Body w/2.5L TBI	MT	5233222	R5233222
	AS Body w/3.0L, MPI, Fed	AT	5233586	R5276435
	AS Body w/3.0L MPI, CA	AT	5234239	R5234239
1987	AS Body w/3.0L MPI, Fed, Can, CA	AT	4557391	R5276431

TRUCKS

MODEL YEAR	APPLICATION	TRANS.	O.E. PART NO.	REMAN PART NO.
1989	AB, AD Bodies w/5.2L, EFI, Fed	AT (A3)	4379887	R4379887
	AB, AD Bodies w/5.9L, EFI, LD, CA	AT	4557391	R4557391
	AB, AD Bodies w/5.9L, EFI, LD, CA	AT	4557393	R4557393
	AN Body w/2.5L, EFI, Fed	MT	4379956	R4379956
	AN Body w/3.9L, EFI, Fed	AT	4379871	R4379871
1989-88	AB, AD Bodies w/5.2L EFI, Fed	AT (3-speed)	4379889	R4379889
	AB, AD Bodies w/3.9L EFI, Fed	AT	4379863	R4379863
1988	AB, AD Bodies w/3.9L, EFI, Fed, Can	AT	4379913/4379518	R4379929
	AB, AD Bodies w/5.2L, EFI, Fed, Can	AT	4379542	R4379728
	AB, AD Bodies w/5.2L EFI Fed, Can, Hi/Alt.	AT (A500)	4379666	R4379666
	AD Body w/5.2L EFI, Fed, Can	MT	4379730	R4379730
	AN Body w/3.9L, EFI lo/wt Fed, Can, CA, Hi/Alt.	AT (A998-99)	4379634	R4379581
	AN Body 4-speed, Module Package, Fed	AT	4443973	R4443973
	AN Body w/3.9L EFI lo/wt, Fed, Can, CA, Hi/Alt.	AT (A500)	4379585	R4379585

ELECTRONIC ENGINE CONTROLLERS (FENIX)

PRODUCT FEATURES:

- Monitors all engine sensors
- Automatically adjusts various engine functions for top driving performance



Electrical/
Electronics

JEEP®

MODEL YEAR	APPLICATION	TRANS.	O.E. PART NO.	REMAN PART NO.
1990	MJ, XJ Bodies w/4.0L MPI (Federal)	AT	53007842	JR007842
	MJ, XJ Bodies w/4.0L MPI (Federal)	MT	53007843	JR007843
1990-89	MJ, XJ Bodies w/4.0L MPI (Federal)	AT	53005428/53006078	JR007842
	MJ, XJ Bodies w/4.0L MPI (Federal)	MT	53005429/53006077	JR007843
1990-87	MJ, XJ Bodies w/2.5L engine (50 State)	AT	53004764	JR004764
1990-86	YJ Body w/2.5L engine (50 State)	MT	53005023	JR005023
1988	MJ, XJ Bodies w/4.0L MPI (Federal)	MT	53005407	JR007843
1988-87	XJ Body w/4.0L MPI (Federal)	AT	53005406	JR007842
1987-86	MJ, XJ Bodies w/2.5L engine (50 State)	MT	53004763	JR004763

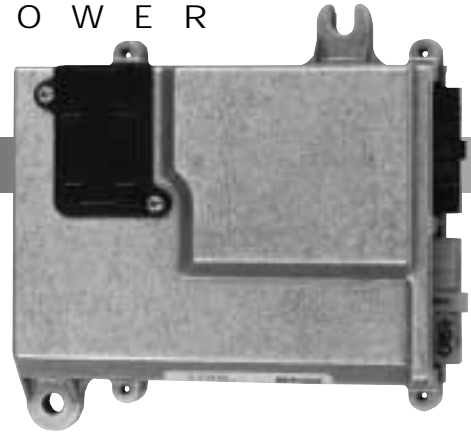
EAGLE

MODEL YEAR	APPLICATION	TRANS.	O.E. PART NO.	REMAN PART NO.
1991-88	Premier w/3.0L (50 State)	AT	5234641/4605097/4728226	R4728226
	Premier w/3.0L (Federal)		5234642/5234751	

LOGIC MODULES / POWER MODULES

PRODUCT FEATURES:

- Features self-diagnostics to test electrical input/output
- Monitor sensors to maintain maximum fuel efficiency



PASSENGER CARS

MODEL YEAR	APPLICATION	TRANS.	O.E. PART NO.	REMAN PART NO.
1987	All FWD w/2.2L Turbo 1, Fed, Can, CA, Hi/Alt.	AT	5226856	R5233540
	All FWD w/2.2L TBI, CA	AT	5234089	R5234089
	All FWD w/2.2L Turbo I, Fed, Can, CA, Hi/Alt.	MT	5233542	R5233542
	K, E, H, G Bodies w/2.5L TBI, Fed, Can, CA, Hi/Alt.	AT	5227880	R5234087
	K, E, H, P Bodies w/2.2L TBI, Fed, Can, Hi/Alt.	AT	5233527	R5234085
1986	All FWD w/2.2L Turbo, Fed, Can, CA	AT	5227318	R5227933
	All FWD w/2.5L TBI, Fed, Can, Hi/Alt.	AT	5227394	R5227894
	All FWD w/2.2L Turbo, Fed, Can, CA	MT	5227932	R5227932
	K, E, H, G Bodies w/2.2L TBI, Fed, Can, Hi/Alt.	AT	5226741	R5227893
1985	All w/2.2L TBI, Fed, Can, Hi/Alt.	AT	5227255	R5227241
	All w/2.2L Turbo, 50 State, Can, Hi/Alt.	MT	5227243	R5227243
	All w/2.2L TBI, Fed, Can, Hi/Alt.	AT	5227892	R5227892
	All w/2.2L Turbo, 50 State	AT	5227935	R5227935
	All w/2.2L TBI, CA	AT	5226978	R5226978
1984	All w/2.2L TBI	AT	5226870	R5226870
	All w/2.2L Turbo	AT	5227502	R4798477
	All w/2.2L Turbo	MT	5227503	R4798477

Electrical/
Electronics

POWER MODULES

- Drive the ignition coil, fuel injectors, and alternator field using high powered circuits
- Isolate high current devices to minimize electrical noise



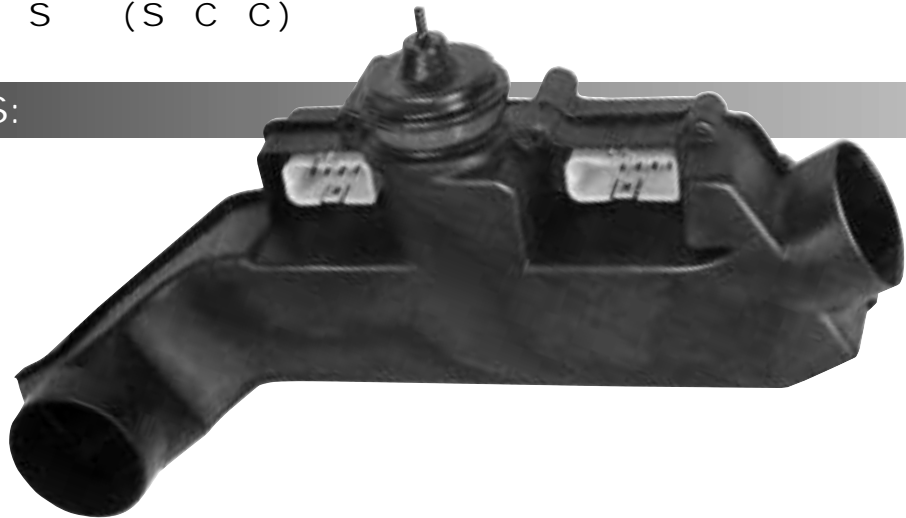
PASSENGER CARS

MODEL YEAR	APPLICATION	O.E. PART NO.	REMAN PART NO.
1987-85	K, E, G, J, H, P, L Bodies w/2.2L, 2.5L TBI, Fed	5226765/5227694	R5227694
	K, E, G, J, H, P, L Bodies w/2.2L, 2.5L Turbo, Fed	5226766/5227808	R5227808
1984-83	K, E Bodies w/2.2L TBI, Fed	5213581	R5213581
	K, E Bodies w/2.2L Turbo, Fed	5226197	R5226197

SPARK CONTROL COMPUTERS (SCC)

PRODUCT FEATURES:

- Calculate optimal air/fuel mixture
- Provide variable advance curves
- Retard sensor timing for peak engine performance



Electrical/
Electronics

PASSENGER CARS

MODEL YEAR	APPLICATION	TRANS.	O.E. PART NO.	REMAN PART NO.
1989-86	All RWD w/5.2L 2bbl	AT	4379484	R4379484
1989-85	All RWD w/5.2L 2bbl, Fed	AT & MT	4289673	R4289813
	All RWD w/5.2L 2bbl, CA	AT	4289913	R5279121
1988-86	All RWD w/5.2L 2bbl, Fed (FIELD FIX)	AT	4379255	R4379255
1987-86	L Body w/2.2L 2bbl, Fed, Can, CA, Hi/Alt.	AT	5227608	R5227718
1987-85	B,D Bodies w/5.2L 2bbl Cal, Hi/Alt	MT	4443920	R4443920
1986-85	All FWD w/2.2L 2bbl, CA	AT	5226451	R5227709
1985	L Body w/2.2L 2bbl, (T110), Fed, CA, Hi/Alt.	AT	5226433	R5226433
1984	K, L Bodies w/2.2L	AT	5226502	R5226502
	All RWD w/5.2L 2bbl	AT & MT	4289444	R5289444
1983	All FWD w/2.2L, Fed, CA	AT & MT	5213834	R5213856
	All FWD w/2.2L, Fed, CA	AT & MT	5213852	R5213856
	All RWD w/3.7L 1bbl, Fed, CA, D Body CA only	AT & MT	4289058	R4289058
	All RWD w/5.2L 2bbl, Fed, CA, Hi/Alt.	AT & MT	4289063	R4289065
	All RWD w/5.2L 2bbl, Fed, CA, Hi/Alt.	AT & MT	4145980	R4289065
1983-82	J, M, R Bodies w/5.2L 2 & 4bbl	AT	4145446	R4289065
			4145907	
			4145980	
			4289227	
1982	All FWD w/2.2L, 2bbl, Fed, CA	AT & MT	5213480	R5213631
			5213481	
			5213482	
			5213483	
			5213486	
			5213487	
			5213622	
			5213638	
			5213633	
			5213635	
1982	All FWD w/2.2L 2bbl	AT	4240500	R4240500
			4240500	R4240500

S P A R K C O N T R O L
C O M P U T E R S (S C C)
(continued)

PASSENGER CARS (CONT.)

MODEL YEAR	APPLICATION	TRANS.	O.E. PART NO.	REMAN PART NO.
1979	All RWD w/5.2L 2 & 4bbl	MT	4111392	R5211692
			4111440	
			4111540	
			4111574	
			4111650	
			4111676	
			4111678	
			4111681	
			4111682	
			4111683	
			4111692	
			4111693	
	All RWD w/360 2bbl, Fed	MT	4111679	R4111679
1978	All RWD w/400 4bbl	AT & MT	4106086	R5206086
	All RWD w/5.2L 2bbl, w/5.9L 4bbl	AT & MT	4091954	R5206086
			4106068	
			4106069	
			4106076	
			4106079	
			4106085	
			4106086	
			4106087	
			4106088	
			4106107	
			4106108	
			4111012	
4111159				
1978	All RWD w/5.9L 4bbl, 5.2L 2bbl	AT & MT	4111169	R5206086
			4111170	
			4111172	
			4111237	
			4111278	
			4111283	
4091732				
1978	All RWD w/440 4bbl	AT	4106061	R5206061

Electrical/
Electronics

S P A R K C O N T R O L
 C O M P U T E R S (S C C)
 (continued)

PASSENGER CARS (CONT.)

MODEL YEAR	APPLICATION	TRANS.	O.E. PART NO.	REMAN PART NO.
1978	All RWD w/5.2L 4bbl	AT	4091730	R5206061
			4091731	
			4091787	
			4091791	
			4106061	
			4106067	
			4106070	
			4108073	
			4106103	
			4111253	
1978	All RWD w/5.9L 2bbl	AT	4106071	R5206089
			4091788	
			4091955	
			4106077	
			4106089	
			4106095	
			4106109	
			4111217	
			4111222	
			4111238	
1978	L Body w/1.7L 2bbl	AT & MT	4106062	R5206112
			4106063	
			4106064	
			4106065	
			4106066	
			4106112	
			5206467	
			5206501	
			5206516	
			5206525	
5206526				

Electrical/
 Electronics

S P A R K C O N T R O L
C O M P U T E R S (S C C)
(continued)

MINIVANS

MODEL YEAR	APPLICATION	TRANS.	O.E. PART NO.	REMAN PART NO.
1987	AS Body w/2.2L 2bbl, Fed, Can	AT	5227379	R5233155
	AS Body w/2.2L, CA, Hi/Alt.	MT	5227470	R5233165
	AS Body w/2.2L 2bbl, Fed, Can, RFI	MT	5233149	R5233149
1986	AS Body w/2.2L, CA	MT	5227388	R5227742
	AS Body w/2.2L 2bbl, Fed, Can	AT	5227737	R5227737
1985	AS Body w/2.2L, CA, Hi/Alt	MT	5226591	R5227736
1984	AS Body w/2.2L 2bbl, Fed, Can	AT & MT	5226176	R5226176
	AS Body w/2.2L 2bbl, Fed, Hi/Alt.	AT	5226372	R5226372

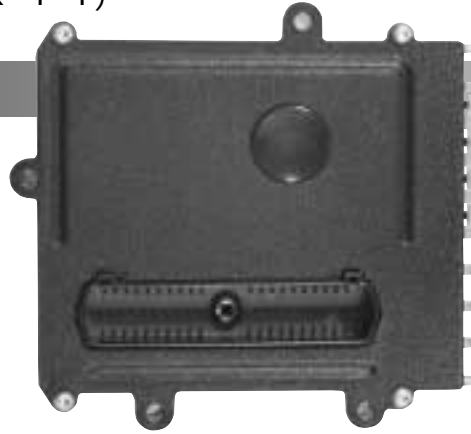
TRUCKS & VANS

MODEL YEAR	APPLICATION	TRANS.	O.E. PART NO.	REMAN PART NO.
1988-87	AN Body w/2.2L 4WD	MT	4379273	R4379273
1987-86	All w/3.9L 2bbl, Fed, CA, Hi/Alt.	MT	4379565	R4379565
	All w/2.2L 2bbl, Fed, CA, Hi/Alt.	MT	4379569	R4379569
1987-86	AB, AD Bodies w/3.7L, 2 & 4WD, Fed, Can	AT	4289908	R4379215
	AB, AD Bodies w/5.2L, 2 & 4WD, CA	AT	4289977	R4379235
	AB, AD Bodies w/5.2L 2bbl, 2 & 4WD, Fed, Can	AT	4379082	R4379224
	AD Body w/5.2L 2bbl, Fed, Can	MT	4379223	R4379223
	All w/3.9L 2bbl, Fed, CA, Hi/Alt.	AT	4379564	R4379564
1987-85	AB, AD Bodies w/3.7L, Fed	MT	4289603	R4289603
	AB Body w/3.7L 1bbl, CA	AT	4379181	R4379181
	AB, AD Bodies w/3.7L, 1bbl, Fed	AT	4289601	R4379177
1987-81	AB Body w/3.7L 1bbl, CA	MT	4439093	R4439093
	All w/3.7L 1bbl, CA	MT	4439095	R4439095
1985-84	AB Body w/8-cyl., Fed, Can, CA, Hi/Alt	MT	4289086	R4289086
1984	AB Body w/3.7L, Fed	AT	4289352	R4289352
	AD Body w/3.7L 1bbl	AT & MT OD	4289304	R4289304
1984-83	AD Body w/225 CID 1bbl, 2 & 4WD, Fed, Can	AT & MT	4289091	R4289097
			4289097	
	AD Body w/5.2L 2bbl, Fed, CA, Hi/Alt.	AT & MT	4289077	R4289065
1983	AB Body w/5.2L	MT	4289086	R4289086
	AB Body w/3.7L 1bbl, CA	AT	4289083	R4289083
1983-82	AD Body w/3.7L 264, Fed, Can	MT OD	4289024	R4289024

ELECTRONIC AUTOMATIC TRANSAXLE (EATXII)

PRODUCT FEATURES:

- Direct replacement - no modifications to harness or mounting
- Economic alternative for costly repairs



PASSENGER CARS

MODEL YEAR	APPLICATION	TRANS.	O.E. PART NO.	REMAN PART NO.
1998-97	PR Body w/3.5L	42LE	4865022AE	R4865022AE*
1997	JA, JX Bodies w/2.0L, 2.4L, 2.5L	41TE w/o Autostick	4606473AB	R4606473AB
	JA, JX Bodies w/2.0L, 2.4L, 2.5L	41TE w/Autostick	4606474AB	R4606474AB
	LH Body w/3.3L, 3.5L	42LE w/o Autostick	4606455AB	R4606455AB
	LH Body w/3.3L, 3.5L	42LE w/Autostick	4606456AB	R4606456AB
1996	FJ22, F24S w/2.0L, 2.5L	F4AC1	5293114AB	R5293114AB
	FJ Body w/2.0L, 2.5L	w/o Autostick	5293010	R5293010
	JA, JX Bodies w/2.0L, 2.4L, 2.5L	41TE w/o Autostick	4606270	R4606270
	JA Body w/2.0L, 2.4L, 2.5L	41TE w/Autostick	4606271	R4606271
	LH Body w/3.3L, 3.5L	42LE w/o Autostick	4606284	R4606284
1995	AJ, AS, A1, A3, A4, ES Bodies w/3.0L, 3.3L, 3.8L	41TE	4686606	R4686606AA
	JA Body w/2.4L, 2.5L	41TE	4606105	R4606105
	LH Body w/3.3L, 3.5L	42LE	4797708	R4797708AA
	LH Body w/3.5L Mex.	42LE	4606109	R4606109
	FJ Body w/2.0L, 2.5L	F4AC1	5269726	R5269726AA
1994-93	A, C, J, P, Y Bodies w/3.0L, 3.3L, 3.8L	41TE	4686478	R4686478AA
	LH Body w/3.3L, 3.5L	42LE	4797709	R4759066AA
1992	A, C, G, J, P, Y Bodies w/3.0L	41TE	4796123	R4761848AA
	C, Y Bodies w/3.3L, 3.8L	41TE	4796124	R4761849AA
1991-90	C, Y Bodies w/3.3L, 3.8L	41TE	4796122	R4761847AA
1991-89	A, C, G, J, P, Y Bodies w/3.0L	41TE	4796121	R4761846AA

*Approved for new vehicle warranty usage.

MINIVANS

MODEL YEAR	APPLICATION	TRANS.	O.E. PART NO.	REMAN PART NO.
1997	NS Body w/2.4L, 3.3L, 3.8L	41TE w/AWD	4727031AB	R4727031AB
	NS Body w/2.4L, 3.3L, 3.8L	41TE	4686465AC	R4686465AC
1996	NS Body w/2.4L, 3.3L, 3.8L	41TE w/TRS	4686739	R4686739
	NS Body w/2.4L, 3.3L, 3.8L	41TE w/o TRS	4882462	R4882462
1994-93	AS Body w/3.0L, 3.3L, 3.8L	41TE	4686606	R4686478AA
1992	AS Body w/3.0L	41TE	4796123	R4761848AA
	AS Body w/3.3L, 3.8L	41TE	4796124	R4761849AA
1991-90	AS Body w/3.3L, 3.8L	41TE	4796122	R4761847AA
1991-89	AS Body w/3.0L	41TE	4796121	R4761846AA

TRANSMISSION CONTROLLERS



JEEP®

MODEL YEAR	APPLICATION	TRANS.	O.E. PART NO.	REMAN PART NO.
1995-93	ZJ Body w/4.0L	42RE	56027564	R6027564
1994-93	ZJ Body w/4.0L	42RE	56027218	R6027218

PRODUCT FEATURES:

- Delivers the same reliability as the original equipment module to prevent lockup under heavy braking conditions at speeds above 3 mph.
- Enhanced diagnostic capability through the use of microprocessor technology. The module monitors critical input and output circuits within the ABS system of the vehicle, making sure they are operating correctly.
- Each Reman module goes through rigorous inspection and testing processes. The same test equipment that was utilized for the OE module is used for Reman. Each module is tested in an automated test temperature chamber for 6-8 hours.
- The module is temperature cycled from -40° C to 105° C multiple times. This ensures that each module is functionally tested under extreme operating conditions multiple times.
- The module is encapsulated in the housing and tested one final time before the Mopar Reman label is applied.



PASSENGER CARS AND TRUCKS

MODEL YEAR	APPLICATION	REMAN PART NO.
1997-96	PL Body (RHD)	R5269962
1997-95	BR 3500 Body w/AWAL	R2009218
1997-95	JA Body	R4605094
1997-95	JX Body	R4671221
1997-94	AB Body w/AWAL	R2007310
1997-94	BR 1500, 2500 Body w/AWAL	R2004508
1997-94	PL Body	R5269963
1996-94	AN Body w/AWAL	R2007725

7
9&
25

ENGINES / ENGINE PARTS

GROUPS

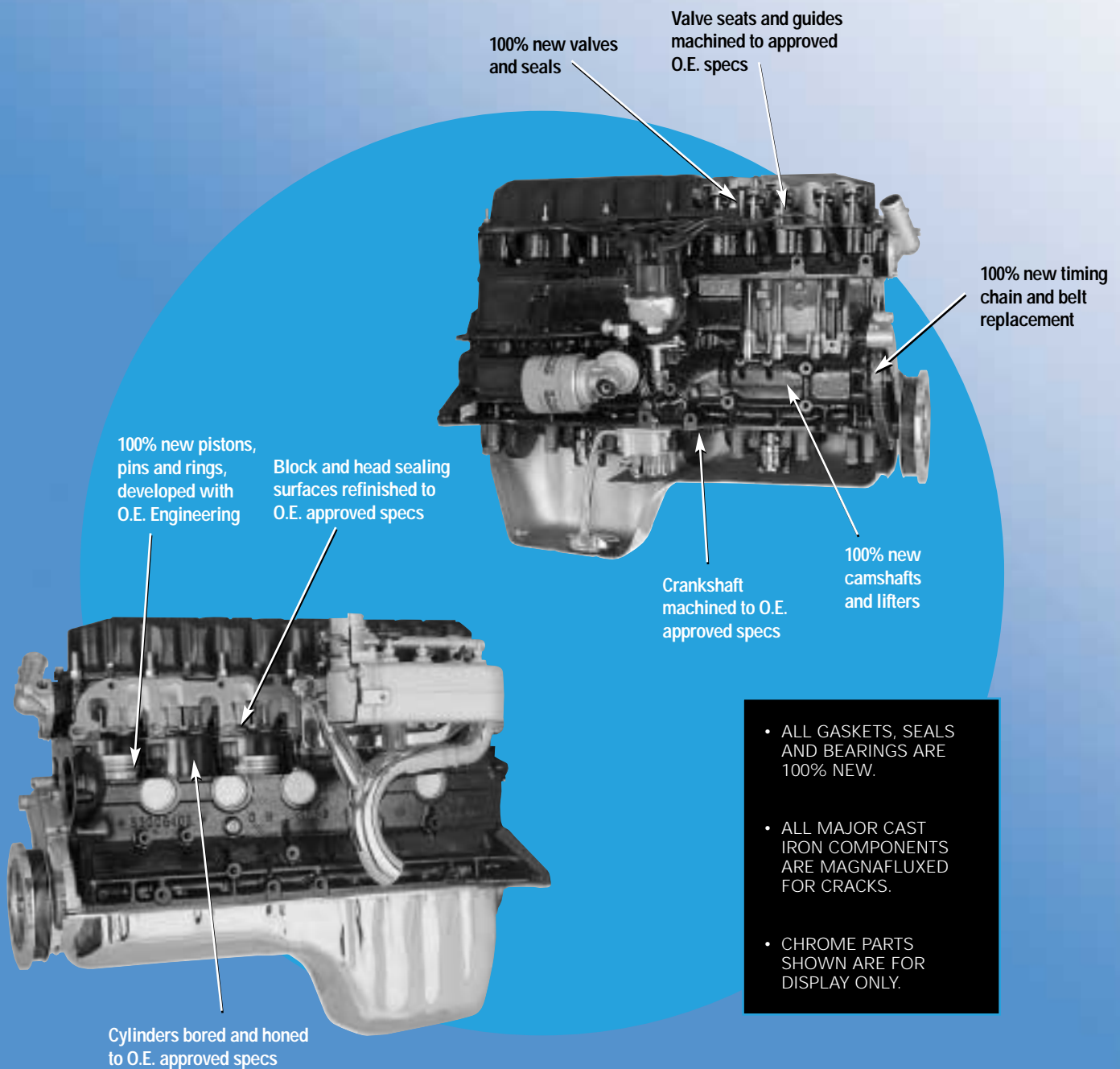
Engines

Cylinder Heads

Turbochargers

Water Pumps





- ALL GASKETS, SEALS AND BEARINGS ARE 100% NEW.
- ALL MAJOR CAST IRON COMPONENTS ARE MAGNAFLUXED FOR CRACKS.
- CHROME PARTS SHOWN ARE FOR DISPLAY ONLY.

4 . 0 L J E E P ® E N G I N E

The Mopar Difference

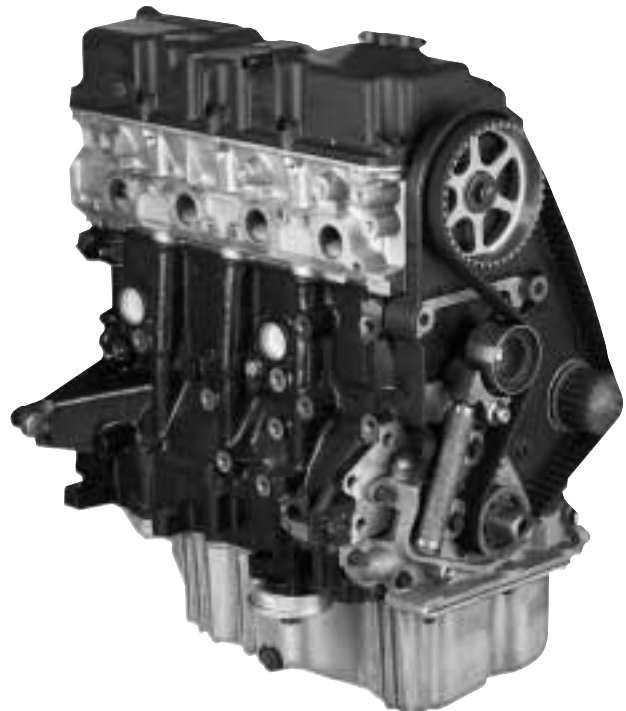
2.0L SOHC 4-CYLINDER
LONG BLOCK



PRODUCT FEATURES:

- *New Pistons, Pins, and Rings*
- *New Timing Belt*
- *New Gaskets and Seals*
- *New Water Pump*
- *New Bearings*
- *New Freeze Plugs*
- *Camshaft*
- *Gasket Pack Includes:*
 - > *OIL PAN GASKET (ONLY 94-95)*
 - > *VALVE COVER GASKET (ONLY 94-95)*
 - > *OIL PUMP PICKUP TUBE SEAL (ONLY 94-95)*
 - > *EXHAUST MANIFOLD GASKET*
 - > *EGR VALVE GASKET*
 - > *WATER INLET TUBE O-RING*
 - > *CRANKSHAFT SPROCKET SCREW*
 - > *INTAKE MANIFOLD GASKET*
 - > *SPARK PLUG TUBE SEAL (4) (ONLY 94-95)*
 - > *CAM SENSOR SEAL*
- *Remanufactured Crankshaft*
- *Remanufactured Cylinder Head*
- *Remanufactured Rocker Arms*
- *Remanufactured Valves*
- *Remanufactured Cylinder Block*
- *Remanufactured Connecting Rods*
- *Remanufactured Oil Pump*
- *Remanufactured Rocker Shafts*

All other components are remanufactured to DaimlerChrysler Engineering specifications or replaced with O.E. parts.



1996-2000 2.0L SOHC
(1994-1995 2.0L SOHC does NOT
include oil pan and valve cover)

2.0L/2.4L 4-CYLINDER
DOHC LONG BLOCK



PRODUCT FEATURES:

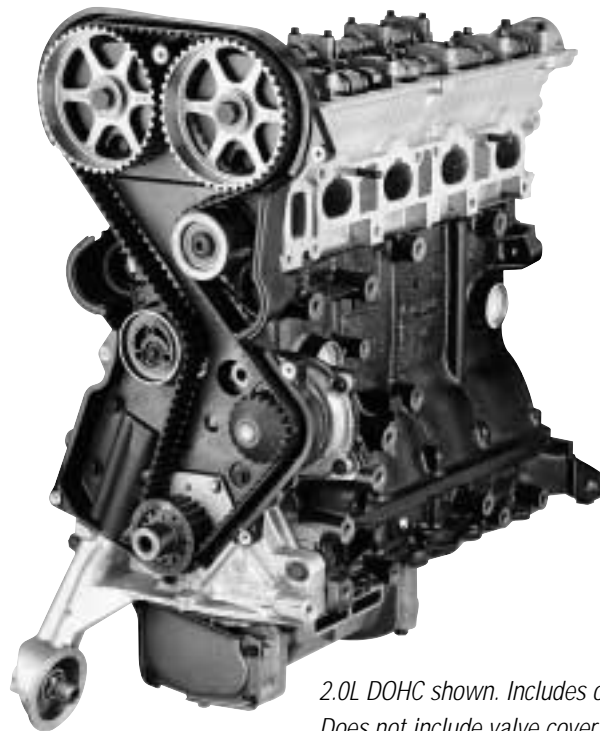
- New O.E. Pistons, Pins & Rings
 - New O.E. Rockers & Lash Adjusters
 - New O.E. Camshafts
 - New Valves & Springs
 - New Bearings
 - New Timing Belt & Tensioner
 - New Gaskets & Seals
 - 2.0L Gasket Pack Includes:
- Reman Cylinder Block
 - Reman Cylinder Head
 - Reman Crankshaft & Connecting Rods
 - Reman Oil Pump
 - Reman Water Pump
 - Reman Balance Shaft Unit (2.4L only)
 - Reman Aluminum Oil Pan (2.0L only)

- > VALVE COVER GASKET
- > EXHAUST MANIFOLD GASKET
- > INTAKE MANIFOLD GASKET
- > THERMOSTAT HOUSING GASKET (FRONT EXHAUST ONLY)
- > CAM SENSOR SEAL
- > SEMI-CIRCULAR REAR CAM SEAL
- > SPARK PLUG WELL SEAL
- > OIL PAN GASKET (PRE-INSTALLED)
- > OIL PUMP PICK UP TUBE O-RING

■ 2.4L Gasket Pack Includes:

- > VALVE COVER GASKET
- > EXHAUST MANIFOLD GASKET
- > INTAKE MANIFOLD GASKET
- > THERMOSTAT HOUSING GASKET (FRONT EXHAUST ONLY)
- > CAM SENSOR SEAL
- > SEMI-CIRCULAR REAR CAM SEAL
- > SPARK PLUG WELL SEAL
- > OIL PAN GASKET (2 UNIVERSAL GASKETS)
- > OIL PUMP PICK UP TUBE O-RING

All other components are remanufactured to DaimlerChrysler Engineering specifications or replaced with O.E. parts.



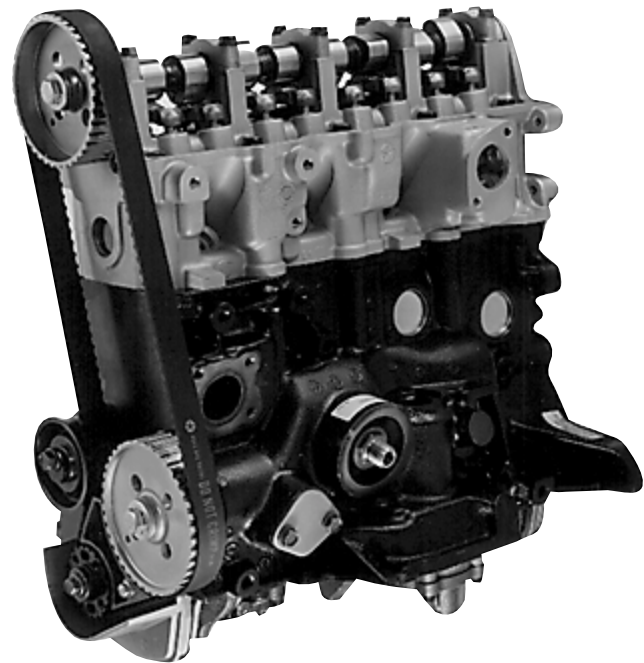
2.0L DOHC shown. Includes oil pan. Does not include valve cover. (2.4L DOHC does not include oil pan or valve cover.)

2.2L/2.5L 4-CYLINDER LONG BLOCK



PRODUCT FEATURES:

- *New Pistons, Pins and Rings*
- *New Timing Belt and Tensioner*
- *New Main, Connecting Rod and Cam Bearings*
- *New Lifters*
- *New Freeze Plugs*
- *New Gaskets and Seals*
- *New Rockers*
- *Oil Pump Rotors*
- *2.2L Gasket Pack Includes:*
 - > VALVE COVER GASKET
 - > MANIFOLD GASKET
 - > WATER PUMP-O-RING
 - > THERMOSTAT GASKET
 - > OIL PAN SEAL KIT (EXCLUDING ENGINES W/BALANCE SHAFT UNIT)
- *2.5L Long Block (w/Oil Pan) Gasket Pack Includes:*
 - > VALVE COVER GASKET
 - > MANIFOLD GASKET
 - > WATER PUMP-O-RING
 - > THERMOSTAT GASKET
- *Remanufactured Crankshaft*
- *Remanufactured Cylinder Head*
- *Remanufactured Valves*
- *Remanufactured Block*
- *Remanufactured Connecting Rods*
- *Remanufactured Oil Pump*
- *Remanufactured Intermediate Shaft*
- *Remanufactured Balance Shaft Unit (2.5L only)*



All other components are remanufactured to DaimlerChrysler Engineering specifications or replaced with O.E. parts.

2.5L SOHC 24-VALVE
V6 LONG BLOCK



PRODUCT FEATURES:

- *New Bearings*
- *New Tappets*
- *New Gaskets*
- *New Water Pump*
- *New Oil Seals*
- *New Timing Belt*
- *New Pistons and Pins*
- *New Pistons Rings*
- *New Freeze Plugs*
- *Remanufactured Cylinder Block*
- *Remanufactured Cylinder Heads*
- *Remanufactured Crankshafts*
- *Remanufactured Camshaft*
- *Remanufactured Oil Pump*
- *Remanufactured Connecting Rods*
- *Remanufactured Rocker Arms*
- *Remanufactured Rocker Shafts*
- *Remanufactured Valves*

■ *2.5L SOHC V6 Long Block Gasket Pack Includes:*

- > *EGR VALVE GASKET*
- > *DIPSTICK TUBE O-RINGS*
- > *COOLANT TUBE O-RING*
- > *ENGINE FRONT CASE O-RINGS*
- > *OIL STRAINER GASKET*
- > *OIL PICKUP TUBE*
- > *CYLINDER HEAD SPARK PLUG GUIDE SEALS*
- > *CYLINDER HEAD ROCKER COVER GASKETS*
- > *INTAKE MANIFOLD GASKET*
- > *OIL FILLER CAP GASKET*
- > *OIL FILTER GAUGE O-RING*
- > *THERMOSTAT CASE GASKETS*
- > *CYLINDER HEAD O-RING*
- > *EXHAUST MANIFOLD GASKET*
- > *OIL FILTER BRACKET GASKET*



All other components are remanufactured to DaimlerChrysler Engineering specifications or replaced with O.E. parts.

2.5L 4-CYLINDER JEEP®
LONG BLOCK



PRODUCT FEATURES:

- *New Pistons, Pins and Rings*
- *New Timing Chain and Gears*
- *New Main, Connecting Rod and Cam Bearings*
- *New Gaskets and Seals*
- *New Oil Pump and Pickup Screen*
- *New Camshaft and Lifters*
- *New Valves*
- *New Freeze Plugs*
- *Gasket Pack Includes:*
 - > *WATER PUMP GASKET*
 - > *THERMOSTAT GASKET*
 - > *DISTRIBUTOR GASKET*
 - > *THROTTLE BODY GASKET*
 - > *INTAKE AND EXHAUST GASKET*
- *Remanufactured Crankshaft*
- *Remanufactured Cylinder Head*
- *Remanufactured Cylinder Block*
- *Remanufactured Connecting Rods*

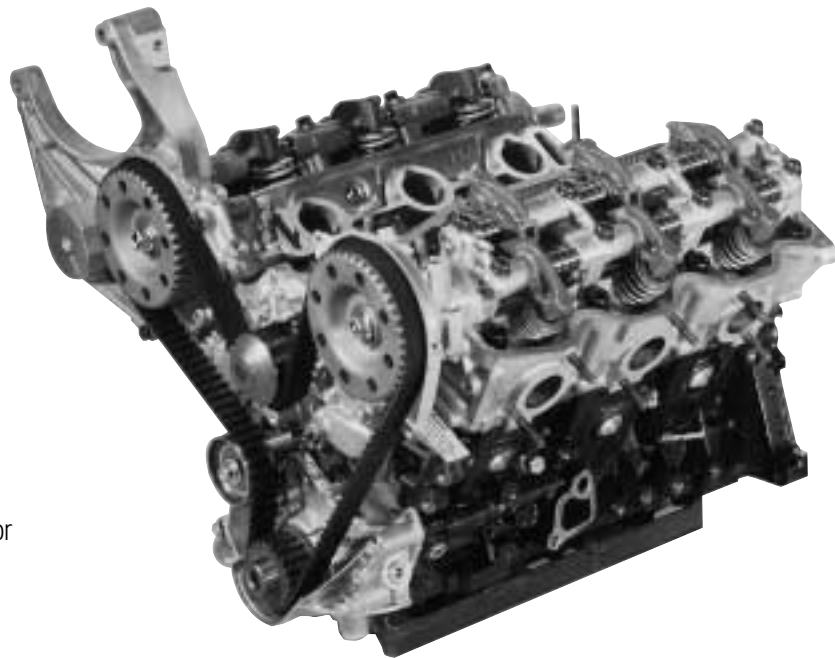
All other components are remanufactured to DaimlerChrysler Engineering specifications or replaced with O.E. parts.





PRODUCT FEATURES:

- *New Pistons, Pins and Rings*
- *New Timing Belt*
- *New Main and Connecting Rod Bearings*
- ***New Water Pump***
- *New Gaskets and Seals*
- *New Freeze Plugs*
- *Gasket Pack Includes:*
 - > HEATER PIPE GASKET
 - > OIL PAN PLUG GASKET
 - > ROCKER BOLT SEAL OIL
 - > WATER PIPE O-RING
 - > OIL DRAIN PLUG WASHER
 - > DIPSTICK TUBE O-RING
 - > OIL PICKUP SCREEN TUBE
 - > VALVE COVER GASKET
 - > EGR PIPE GASKET
 - > SURGE TANK GASKET
 - > OIL FILTER BRACKET GASKET
 - > EXHAUST MANIFOLD GASKET (2)
 - > EXHAUST CROSSOVER GASKET
 - > INTAKE MANIFOLD GASKET (2)
 - > OIL SCREEN GASKET
 - > DIPSTICK TUBE
- *Remanufactured Camshaft*
- *Remanufactured Crankshaft*
- *Remanufactured Cylinder Block*
- *Remanufactured Cylinder Heads*
- *Remanufactured Connecting Rods*
- *Remanufactured Oil Pump*
- ***Remanufactured Rocker Arms***
- *Remanufactured Valves*



All other components are remanufactured to DaimlerChrysler Engineering specifications or replaced with O.E. parts.

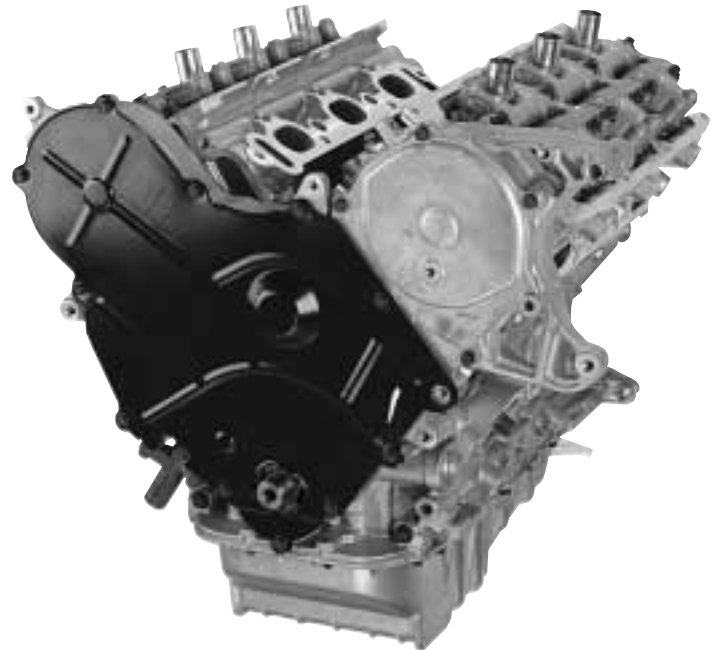
3.2L/3.5L ALUMINUM SOHC
V6 LONG BLOCK



PRODUCT FEATURES:

- *New Pistons, Pins and Rings*
- *New Timing Belt and Tensioner*
- *New Main and Connecting Rod Bearings*
- *New Freeze Plugs*
- *New Gaskets and Seals*
- *New Water Pump*
- *Gasket Pack Includes:*
 - > *WATER OUTLET GASKET*
 - > *VALVE COVER GASKET*
 - > *PLENUM INTAKE MANIFOLD GASKET*
 - > *INTAKE MANIFOLD GASKET*
 - > *FUEL RAIL GASKET*
 - > *CRANKSHAFT SPROCKET SCREW*
 - > *CRANKSHAFT SPROCKET WASHER*
- *Remanufactured Cylinder Block*
- *Remanufactured Cylinder Heads*
- *Remanufactured Crankshaft*
- *Remanufactured Oil Pump*
- *Remanufactured Valves*
- *Remanufactured Camshaft*
- *Remanufactured Rocker Arms*
- *Remanufactured Rocker Shafts and Pedestals*
- *Remanufactured Oil Pan and Pick-Up Tube*
- *Remanufactured Timing Belt Covers*

All other components are remanufactured to DaimlerChrysler Engineering specifications or replaced with O.E. parts.



Engines/
Engine Parts

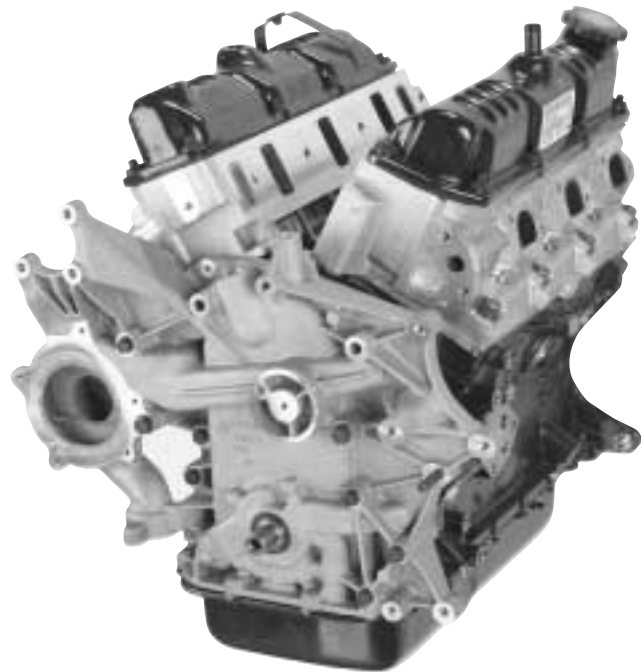
3 . 3 L / 3 . 8 L V 6
L O N G B L O C K



PRODUCT FEATURES:

- *New Pistons, Pins and Rings*
- *New Timing Chain*
- *New Main, Connecting Rod, and Cam Bearings*
- *New Lifters*
- *New Gaskets and Seals*
- *Oil Pan and Pickup Tube*
- *Timing Chain Cover w/Oil Pump*
- *Gasket Pack Includes:*
 - > *PLENUM INTAKE MANIFOLD GASKET*
 - > *WATER PUMP SEAL*
 - > *INTAKE MANIFOLD GASKET*
 - > *CRANKSHAFT SPROCKET WASHER*
 - > *CRANKSHAFT SPROCKET SCREW*
- *Remanufactured Block*
- *Remanufactured Cylinder Heads*
- *Remanufactured Crankshaft*
- *Remanufactured Connecting Rods*
- *Remanufactured Camshaft*
- *Remanufactured Oil Pump*
- *Remanufactured Valves*
- *Remanufactured Valve Covers*
- *Remanufactured Oil Pan*

All other components are remanufactured to DaimlerChrysler Engineering specifications or replaced with O.E. parts.



3 . 5 L V 6
L O N G B L O C K

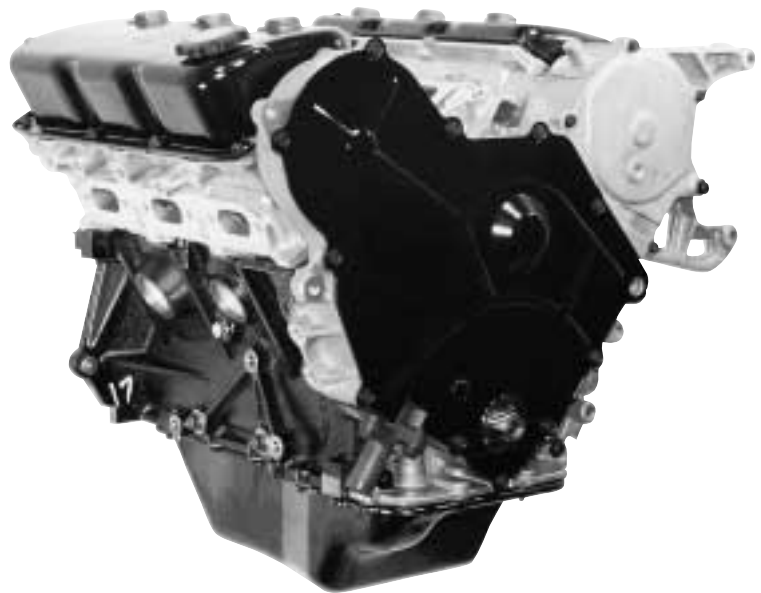


PRODUCT FEATURES:

- *New Pistons, Pins and Rings*
- *New Timing Belt and Tensioner*
- *New Main and Connecting Rod Bearings*
- *New Freeze Plugs*
- *New Gaskets and Seals*
- *New Water Pump*
- *Oil Pan and Pickup Tube*
- *Timing Belt Covers*
- *Gasket Pack Includes:*
 - > *WATER OUTLET GASKET*
 - > *PLENUM INTAKE MANIFOLD GASKET*
 - > *INTAKE MANIFOLD GASKET*
 - > *FUEL RAIL GASKET*
 - > *CRANKSHAFT SPROCKET SCREW*
 - > *CRANKSHAFT SPROCKET WASHER*

- *Remanufactured Block*
- *Remanufactured Cylinder Heads*
- *Remanufactured Crankshaft*
- *Remanufactured Connecting Rods*
- *Remanufactured Oil Pump*
- *Remanufactured Valves*
- *Remanufactured Valve Covers*
- *Remanufactured Oil Pan*
- **Remanufactured Camshafts**

All other components are remanufactured to DaimlerChrysler Engineering specifications or replaced with O.E. parts.



Engines/
Engine Parts

3.9L V6 MAGNUM LONG BLOCK



PRODUCT FEATURES:

- *New Pistons, Pins and Rings*
- *New Timing Chain*
- *New Main, Connecting Rod and Cam Bearings*
- *New Push Rods*
- *New Camshaft*
- *New Gaskets and Seals*
- *New Oil Pump*
- *New Rocker Arms and Tappets*
- *New Valves*
- *Remanufactured Crankshaft*
- *Remanufactured Cylinder Head*
- *Remanufactured Cylinder Block*
- *Remanufactured Connecting Rods*

■ *3.9L Magnum Gasket Pack Includes:*

- > *INTAKE DOWELS (4)*
- > *EGR GASKET*
- > *WATER PUMP GASKET*
- > *INTAKE GASKET PACKAGE*
- > *OIL PAN GASKET*
- > *VALVE COVER GASKETS (2)*
- > *EGR TUBE GASKET*
- > *THERMOSTAT GASKET*
- > *TIMING CHAIN COVER GASKET*
- > *THROTTLE BODY GASKET*
- > *WATER JACKET PLUGS (2)*
- > *FRONT SEAL*

■ *3.9L Pre-Magnum Gasket Pack Includes:*

- > *INTAKE DOWELS (2)*
- > *EGR GASKET*
- > *OIL PAN KIT*
- > *WATER PUMP GASKET*
- > *RIGHT INTAKE GASKET*
- > *LEFT INTAKE GASKET*
- > *REAR INTAKE GASKET*
- > *VALVE COVER GASKETS (2)*
- > *EGR TUBE GASKET*
- > *THERMOSTAT GASKET*
- > *TIMING CHAIN COVER GASKET*
- > *THROTTLE BODY GASKET*
- > *WATER JACKET PLUGS (2)*
- > *FRONT SEAL*



All other components are remanufactured to DaimlerChrysler Engineering specifications or replaced with O.E. parts.

4 . O L I — 6 J E E P .
L O N G B L O C K



PRODUCT FEATURES:

- *New Pistons, Pins and Rings*
- *New Timing Chain and Gears*
- *New Main, Connecting Rod and Cam Bearings*
- *New Gaskets and Seals*
- *New Oil Pump and Pickup Screen*
- *New Camshaft and Lifters*
- *New Core Hole/Expansion Plugs*
- *Gasket Pack Includes:*
 - > *WATER PUMP GASKET*
 - > *THERMOSTAT GASKET*
 - > *DISTRIBUTOR GASKET*
 - > *THROTTLE BODY GASKET*
 - > *INTAKE AND EXHAUST GASKET*
- *Remanufactured Crankshaft*
- *Remanufactured Cylinder Head*
- *Remanufactured Cylinder Block*
- *Remanufactured Connecting Rods*

All other components are remanufactured to DaimlerChrysler Engineering specifications or replaced with O.E. parts.



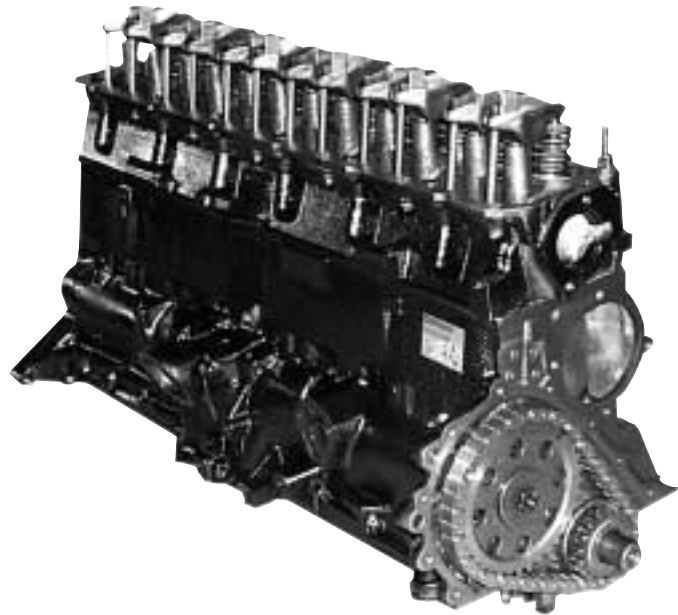
Engines/
Engine Parts

4 . 2 L I — 6 J E E P[®]
L O N G B L O C K



PRODUCT FEATURES:

- *New Pistons, Pins and Rings*
- *New Timing Chain and Gears*
- *New Main, Connecting Rod and Cam Bearings*
- *New Gaskets and Seals*
- *New Oil Pump*
- *New Lifters*
- *New Core Hole/Expansion Plugs*
- *Gasket Pack Includes:*
 - > *WATER PUMP GASKET*
 - > *THERMOSTAT GASKET*
 - > *DISTRIBUTOR GASKET*
 - > *INTAKE MANIFOLD GASKET*
 - > *EGR GASKET*
 - > *FUEL PUMP GASKET*
 - > *EXHAUST MANIFOLD GASKET*
 - > *OIL PAN GASKET*
 - > *TIMING COVER GASKET*
 - > *TIMING COVER OIL SEAL*
 - > *VALVE COVER GASKET*
- *Remanufactured Crankshaft*
- *Remanufactured Cylinder Head*
- *Remanufactured Cylinder Block*
- *Remanufactured Connecting Rods*



All other components are remanufactured to DaimlerChrysler Engineering specifications or replaced with O.E. parts.

5.2L V8 MAGNUM
LONG BLOCK



PRODUCT FEATURES:

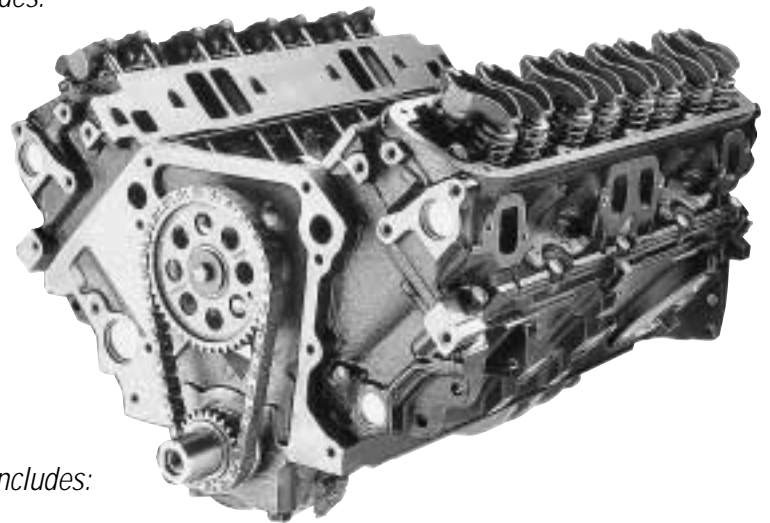
- *New Pistons, Pins and Rings*
- *New Timing Chain*
- *New Main, Connecting Rod and Cam Bearings*
- *New Push Rods*
- *New Camshaft*
- *New Gaskets and Seals*
- *New Oil Pump*
- *New Rocker Arms and Tappets*
- *New Valves*
- *5.2L Magnum Long Block Gasket Pack Includes:*
- *Remanufactured Crankshaft*
- *Remanufactured Cylinder Head*
- *Remanufactured Cylinder Block*
- *Remanufactured Connecting Rods*

■ *5.2L Magnum Long Block Gasket Pack Includes:*

- > *INTAKE DOWELS (4)*
- > *WATER PUMP GASKET*
- > *INTAKE GASKET PACKAGE*
- > *OIL PAN GASKET*
- > *VALVE COVER GASKETS (2)*
- > *EGR TUBE GASKET*
- > *THERMOSTAT GASKET*
- > *TIMING CHAIN COVER GASKET*
- > *THROTTLE BODY GASKET*
- > *WATER JACKET PLUGS (2)*
- > *FRONT SEAL*
- > ***EGR VALVE GASKET***

■ *5.2L Pre-Magnum Long Block Gasket Pack Includes:*

- > *INTAKE DOWELS (2)*
- > *WATER PUMP GASKET*
- > *INTAKE GASKET PACKAGE*
- > *OIL PAN GASKETS KIT*
- > *VALVE COVER GASKETS (2)*
- > *EGR VALVE GASKET*
- > *THERMOSTAT GASKET*
- > *TIMING CHAIN COVER GASKET*
- > *THROTTLE BODY GASKET*
- > *EGR TUBE GASKET*
- > *FRONT SEAL*



Engines/
Engine Parts

All other components are remanufactured to DaimlerChrysler Engineering specifications or replaced with O.E. parts.

5.9L V8 MAGNUM LONG BLOCK



PRODUCT FEATURES:

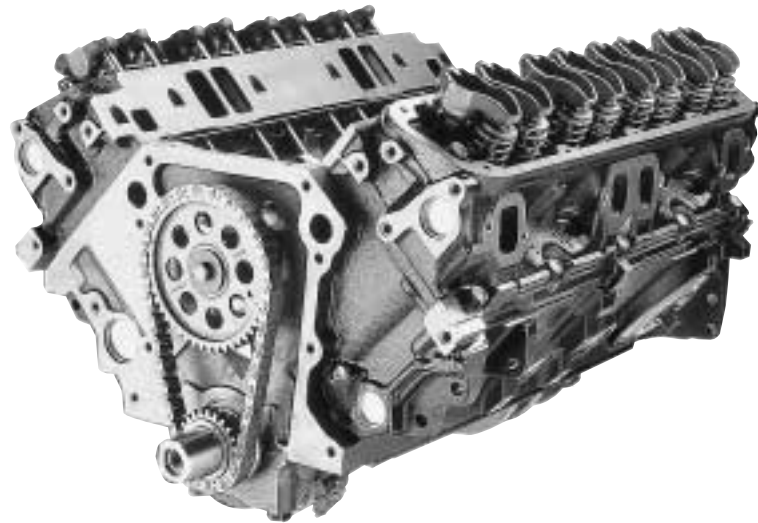
- *New Pistons, Pins and Rings*
- *New Timing Chain*
- *New Main, Connecting Rod and Cam Bearings*
- *New Push Rods*
- *New Camshaft*
- *New Gaskets and Seals*
- *New Oil Pump*
- *New Rocker Arms and Tappets*
- *New Valves*
- *5.9L Magnum Long Block Gasket Pack Includes:*
- *Remanufactured Crankshaft*
- *Remanufactured Cylinder Head*
- *Remanufactured Cylinder Block*
- *Remanufactured Connecting Rods*

5.9L Magnum Long Block Gasket Pack Includes:

- > *EGR TUBE GASKET*
- > *INTAKE DOWELS (4)*
- > *WATER PUMP GASKET*
- > *OIL PAN GASKET*
- > *VALVE COVER GASKETS (2)*
- > *THERMOSTAT GASKET*
- > *TIMING CHAIN COVER GASKET*
- > *THROTTLE BODY GASKET*
- > *WATER JACKET PLUGS (2)*
- > *FRONT SEAL*
- > *EGR VALVE GASKET*
- > *INTAKE GASKET PACKAGE*

■ *5.9L Pre-Magnum Long Block Gasket Pack Includes:*

- > *INTAKE DOWELS (6)*
- > *EGR VALVE GASKET*
- > *WATER PUMP GASKET*
- > *INTAKE GASKET PACKAGE*
- > *VALVE COVER GASKETS (2)*
- > *EGR TUBE GASKET*
- > *TIMING CHAIN COVER GASKET*
- > *THROTTLE BODY GASKET*
- > *OIL PAN GASKET*
- > *FRONT SEAL*



All other components are remanufactured to DaimlerChrysler Engineering specifications or replaced with O.E. parts.

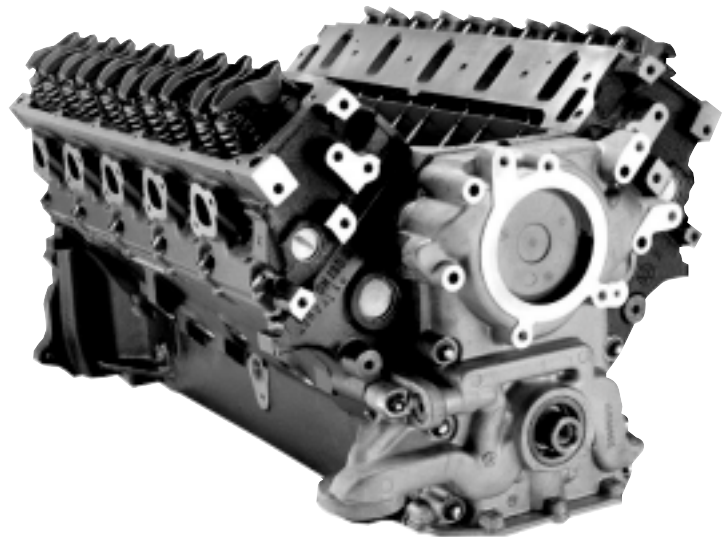
8 . 0 L V 1 0 M A G N U M
L O N G B L O C K



PRODUCT FEATURES:

- *New Pistons, Pins and Rings*
- *New Timing Chain*
- *New Main, Connecting Rod and Cam Bearings*
- *New Push Rods*
- *New Camshaft and Lifters*
- *New Gaskets and Seals*
- *New Oil Pump*
- *New Rocker Arms and Tappets*
- *8.0L Magnum Long Block*
Gasket Pack Includes:
 - > *WATER OUTLET GASKET*
 - > *UPPER INTAKE GASKET*
 - > *EXHAUST MANIFOLD GASKETS (2)*
 - > *VALVE COVER GASKETS*
 - > *INTAKE GASKETS (2)*
 - > *INTAKE SEALS (2)*
 - > *THROTTLE BODY GASKET*
 - > *EGR VALVE GASKET (94-95 ONLY)*
 - > *EGR TUBE GASKET (94-95 ONLY)*

- *Remanufactured Crankshaft*
- *Remanufactured Cylinder Head*
- *Remanufactured Cylinder Block*
- *Remanufactured Connecting Rods*
- **Remanufactured Front Cover**
- **Remanufactured Oil Pump**
- **Remanufactured Oil Pan**



All other components are remanufactured to DaimlerChrysler Engineering specifications or replaced with O.E. parts.

LONG BLOCK ENGINES

Below is a helpful matrix identifying what engine parts are included with the reman engine assembly.

MOPAR REMAN ENGINE MATRIX

MODEL YEAR	ENGINE	CYLINDER BLOCK	CYLINDER HEAD(S)	CRANKSHAFT	MAIN & ROD BEARINGS	CONNECTING ROD SET	PISTON, PIN, RINGS SET	INTERMEDIATE SHAFT	CAMSHAFT(S)	BALANCE SHAFT SYSTEM	VALVES AND SPRINGS	ROCKER ARMS	ROCKER SHAFTS	PUSH RODS	TAPPETS	LASH ADJUSTERS	SPARK PLUG TUBES
2002-96	2.0L SOHC	x	x	x	x	x	x		x		x	x	x		x		x
1999-95	2.0L DOHC RE	x	x	x	x	x	x		x		x	x				x	
1999-94	2.0L DOHC FE	x	x	x	x	x	x		x		x	x				x	
1995-94	2.0L SOHC	x	x	x	x	x	x		x		x	x	x		x		x
1995-81	2.2L Carb & EFI	x	x	x	x	x	x	x	x		x	x				x	
1990-89	2.2L Turbo IV	x	x	x	x	x	x	x	x	x	x	x				x	
1990-84	2.2 Turbo I / II	x	x	x	x	x	x	x	x		x	x				x	
2000-95	2.4L DOHC RE	x	x	x	x	x	x		x		x	x				x	
2000-95	2.5L MMC	x	x	x	x	x	x		x		x	x	x		x		
1996-91	2.5L Jeep	x	x	x	x	x	x		x		x	x		x	x		
1995-86	2.5L EFI & Turbo	x	x	x	x	x	x	x	x	x	x	x				x	
1990-87	2.5L Jeep	x	x	x	x	x	x		x		x	x		x	x		
1987-81	2.6L MMC	x	x	x	x	x	x		x	x	x	x	x				
2000-87	3.0L MMC	x	x	x	x	x	x		x		x	x	x		x		
2002-98	3.2L SOHC Aluminum	x	x	x	x	x	x		x		x	x	x		x		
2000-90	3.3L OHV	x	x	x	x	x	x		x		x	x	x	x	x		
2001-98	3.5L SOHC Aluminum	x	x	x	x	x	x		x		x	x	x		x		
1997-93	3.5L SOHC Iron	x	x	x	x	x	x		x		x	x	x		x		x
1987-81	3.7L w/hyd lifter	x	x	x	x	x	x		x		x	x	x	x	x		
2000-91	3.8L OHV	x	x	x	x	x	x		x		x	x	x	x	x		
2002-92	3.9L OHV	x	x	x	x	x	x		x		x	x		x	x		
1991-86	3.9L OHV	x	x	x	x	x	x		x		x	x	x	x	x		
2001-00	4.0L Jeep	x	x	x	x	x	x		x		x	x		x	x		
1999-96	4.0L Jeep	x	x	x	x	x	x		x		x	x		x	x		
1995-92	4.0L Jeep	x	x	x	x	x	x		x		x	x		x	x		
1991	4.0L Jeep	x	x	x	x	x	x		x		x	x		x	x		
1990-87	4.0L Jeep	x	x	x	x	x	x		x		x	x		x	x		
1990-87	4.2L Jeep	x	x	x	x	x	x		x		x	x		x	x		
1986	4.2L Jeep	x	x	x	x	x	x		x		x	x		x	x		
1985-81	4.2L Jeep	x	x	x	x	x	x		x		x	x		x	x		
2002-92	5.2L OHV	x	x	x	x	x	x		x		x	x		x	x		
1991-75	5.2L OHV	x	x	x	x	x	x		x		x	x	x	x	x		
2002-93	5.9L OHV	x	x	x	x	x	x		x		x	x		x	x		
1993-79	5.9L AMC	x	x	x	x	x	x		x		x	x		x	x		
1992-75	5.9L OHV	x	x	x	x	x	x		x		x	x	x	x	x		
2002-94	8.0L OHV Iron	x	x	x	x	x	x		x		x	x		x	x		

Engines/
Engine Parts

LONG BLOCK ENGINES

(continued)

MOPAR REMAN ENGINE MATRIX (CONT.)

MODEL YEARS	ENGINE	TIMING BELT SYSTEM	TIMING CHAIN SYSTEM	CYL. HEAD GASKET(S)	V. COVER(S) W/GASKETS	OIL PUMP	OIL PICKUP	OIL PAN	FRONT TIMING COVER	TIMING INNER COVER	ALTERNATOR BRACKET	WATER PUMP	INSTALLER'S GASKET SET	RETURNABLE CONTAINER	CARDBOARD BOX	WOODEN BOX
2002-96	2.0L SOHC	x		x	x	x	x	x		x		x	x			x
1999-95	2.0L DOHC RE	x		x		x	x	x		x		x	x			x
1999-94	2.0L DOHC FE	x		x		x	x	x		x		x	x			x
1995-94	2.0L SOHC	x		x		x	x			x		x	x			x
1995-81	2.2L Carb & EFI	x		x		x							x			x
1990-89	2.2L Turbo IV	x		x		x	x	x					x			x
1990-84	2.2 Turbo I / II	x		x		x							x			x
2000-95	2.4L DOHC RE	x		x		x	x			x		x	x			x
2000-95	2.5L MMC	x		x		x	x				x	x	x			x
1996-91	2.5L Jeep		x	x		x	x	x	x				x	x		
1995-86	2.5L EFI & Turbo	x		x		x	x	x					x			x
1990-87	2.5L Jeep		x	x		x	x	x	x				x	x		
1987-81	2.6L MMC		x	x		x			x				x			x
2000-87	3.0L MMC	x		x		x	x				x	x	x			x
2002-98	3.2L SOHC Aluminum	x		x		x	x	x	x			x	x		x	
2000-90	3.3L OHV		x	x	x	x	x	x	x				x			x
2001-98	3.5L SOHC Aluminum	x		x		x	x	x	x			x	x		x	
1997-93	3.5L SOHC Iron	x		x	x	x	x	x	x	x		x	x		x	
1987-81	3.7L w/hyd lifter		x	x		x							x	x		
2000-91	3.8L OHV		x	x	x	x	x	x	x				x			x
2002-92	3.9L OHV		x	x		x							x	x		
1991-86	3.9L OHV		x	x		x							x	x		
2001-00	4.0L Jeep		x	x		x	x	x	x				x	x		
1999-96	4.0L Jeep		x	x		x	x	x	x				x	x		
1995-92	4.0L Jeep		x	x		x	x	x	x				x	x		
1991	4.0L Jeep		x	x		x	x	x	x				x	x		
1990-87	4.0L Jeep		x	x		x	x	x	x				x	x		
1990-87	4.2L Jeep		x	x		x							x	x		
1986	4.2L Jeep		x	x		x							x	x		
1985-81	4.2L Jeep		x	x		x							x	x		
2002-92	5.2L OHV		x	x		x							x	x		
1991-75	5.2L OHV		x	x		x							x	x		
2002-93	5.9L OHV		x	x		x							x	x		
1993-79	5.9L AMC		x	x		x							x	x		
1992-75	5.9L OHV		x	x		x							x	x		
2002-94	8.0L OHV Iron		x	x		x	x	x	x				x	x		

Engines/
Engine Parts

LONG BLOCK ENGINES

(continued)

PASSENGER CARS

MODEL YEARS	APPLICATION/ENGINE DISPLACEMENT	REMAN PART NO.
2000	2.0L SOHC Fed & LEV	R0420402*
1999-98	2.0L SOHC LEV	R0420469*
1999-96	2.0L SOHC Fed	R0420469*
1999-95	2.0L DOHC (Rear Exhaust w/ oil pan; no valve cover)	R0420857*
1999-94	2.0L DOHC (Front Exhaust w/ oil pan; no valve cover)	R0420847*
1997-96	2.0L SOHC TLEV	R0420767
1995	2.0L SOHC 16V (ECH) TLEV	R0420755
1995-94	2.0L SOHC 16V (ECB) FED	R0420445
1995-89	2.2L EFI (EDF) rollers	R0522092
1989	2.2L Turbo II (EDR) rollers	R0522299
1988	2.2L EFI (EDF) rollers	R0522088
1988	2.2L Turbo I (EDG) rollers	R0522188
1988	2.2L Turbo II (EDR) rollers	R0522288
1987	2.2L Turbo II (EDR)	R0522277
1987-86	2.2L Carb. (EDE) L Body only	R0501223
1987-86	2.2L TBI (EDF)	R0511002
1987-86	2.2L Turbo I (EDG)	R0522002
1985	2.2L Turbo I (EDG)	R0522001
1985	2.2L TBI (EDF)	R0511001
1985	2.2L Carb. (EDE)	R0501222
1984	2.2L Turbo I (EDG)	R0522000
1984-83	2.2L Carb (EDE)	R0501221
2000-98	2.4L DOHC (no oil pan; no valve cover)	R0424880*
1997-96 1/2	2.4L DOHC (no oil pan; no valve cover)	R0424867
2000-98	2.5L SOHC V6	R0625480*
1997-95	2.5L SOHC V6	R0625457
1995-93	2.5L EFI flex fuel rollers	R0525935
1995-89	2.5L EFI (EDM) rollers	R0525092
1992-89	2.5L Turbo (EDT) rollers	R0525192
1988	2.5L EFI (EDM) rollers	R0525088
1987-86	2.5L TBI (EDM)	R0532567
1987-81	2.6L w/3 valve head (ELA) jet valve	R0561347
1987-81	2.6L w/2 valve head (ELA)	R0561247
2000-98	3.0L (EFA) rollers	R0630045*
1997-91	3.0L (EFA) rollers	R0630013*
1990-87	3.0L converted to rollers (EFA)	R0630070
2002-98	3.2L SOHC LH body	R1632488*

Note: 2.5L includes oil pan, balance shaft, and carrier. R0630070 uses roller rocker arms. Original equipment uses slider-type rocker arms. The sticker provided with the Mopar Reman engine must be placed on the valve cover to identify it as a roller-type rocker engine.

*Approved for new vehicle warranty usage.



LONG BLOCK ENGINES

(continued)

PASSENGER CARS

MODEL YEARS	APPLICATION/ENGINE DISPLACEMENT	REMAN PART NO.
1997-93 1/2	3.3L LH body (EGB) Head Casting no. 4621510	R1633436
1994-93 1/2	3.3L (EGA) all exc. LH body, Head Casting no. 4621510	R0633435
1993-93 1/2	3.3L LH body (EGB) Head Casting no. 4448015	R1633433
1993 1/2-90	3.3L (EGA) all exc. LH body, Head Casting no. 4448015	R0633403
2001-98	3.5L SOHC LH body	R1635488*
1997-95	3.5L LH body (EGE)	R1635457
1994-93	3.5L LH body (EGE)	R1635434
1987-81	3.7L Federal w/cast crank & hydraulic lifter (Slant 6 225 CID)	R0501707AA
1993 1/2-91	3.8L car (EGH) Head Casting no. 4448015	R0638413
1990-85	5.2L all passenger cars w/roller lifter	R2852250
1989-85	5.2L all passenger cars non-roller	R2852057
1984-75	5.2L all passenger cars non-roller	R2852054
1989-75	5.9L all passenger cars	R2859059

Note: 2.5L includes oil pan, balance shaft, and carrier. R0630070 uses roller rocker arms. Original equipment uses slider-type rocker arms. The sticker provided with the Mopar Reman engine must be placed on the valve cover to identify it as a roller-type rocker engine.

*Approved for new vehicle warranty usage.

MINIVANS

MODEL YEARS	APPLICATION/ENGINE DISPLACEMENT	REMAN PART NO.
1993-89	2.2L (EDF) rollers	R0522092
1988	2.2L (EDF) rollers	R0522088
1987-86	2.2L (EDF)	R0511002
1985	2.2L Carb. (EDE)	R0501222
2000-95	2.4L DOHC (Rear Exhaust no oil pan; no valve cover)	R0424857*
1995-89	2.5L EFI (EDM) rollers	R0525092
1989	2.5L Turbo (EDT) rollers	R0525192
1987-81	2.6L w/3 valve head	R0561347
1987-81	2.6L w/2 valve head	R0561247
2000-98	3.0L (EFA) rollers	R0630045*
1997-91	3.0L (EFA) rollers	R0630013
1990-87	3.0L (EFA) converted to rollers	R0630070
2000-98	3.3L	R0633480*
1997-96	3.3L (EGA) Head Casting no. 4621510	R0633466
1995-93 1/2	3.3L (EGA) Head Casting no. 4621510	R0633435
1993 1/2-90	3.3L (EGA) Head Casting no. 4448015	R0633403
2000-98	3.8L	R0638480*
1997-96	3.8L (EGH) Head Casting no. 4621510	R0638466
1995-93 1/2	3.8L (EGH) Head Casting no. 4621510	R0638435
1993 1/2-91	3.8L (EGH) Head Casting no. 4448015	R0638413

*Approved for new vehicle warranty usage.



LONG BLOCK ENGINES

(continued)

TRUCKS & VANS

MODEL YEARS	APPLICATION/ENGINE DISPLACEMENT	REMAN PART NO.
1988	2.2L Carb. rollers, overhead cam eng.	RT522088
1987-86	2.2L Carb. overhead cam eng.	RT522067
1996	2.5L Truck	R2425316AA
1995-88	2.5L Truck rollers, overhead cam eng.	RT525094
2002-98	3.9L V6 Magnum	R2639480*
1997-92	3.9L V6 Magnum	R2639224
1991-88	3.9L V6 with roller lifters	R2639281
1988-86	3.9L V6 non-roller	R2639067
2002-98	5.2L V8 Magnum	R2852480*
1997-92	5.2L V8 Magnum	R2852424
1991	5.2L V8 with roller lifters	R2852211
1990-85	5.2L V8 with roller lifters	R2852250
1989-85	5.2L V8 non-roller	R2852057
1984-75	5.2L V8 non-roller	R2852054
2002-98	5.9L V8 Magnum	R2859488*
1997-93	5.9L V8 Magnum	R2859436
1992-85	5.9L V8 with roller lifters	R2859292
1989-75	5.9L V8 non-roller	R2859059
2002-01	8.0L V10	R2080411*
2000-96	8.0L V10	R2080468*
1995-94	8.0L V10	R2080445

Note: From 1985-89, both roller and non-roller 5.2L & 5.9L engines were used in trucks and vans. For 1988, both roller and non-roller 3.9L were used in trucks and vans. Please be sure and specify the correct application when ordering these engines.

*Approved for new vehicle warranty usage.

Engines/
Engine Parts



LONG BLOCK ENGINES

(continued)

JEEP®

MODEL YEARS	APPLICATION/ENGINE DISPLACEMENT	REMAN PART NO.
1999-91	2.5L Jeep (XJ, YJ, ZJ Bodies)	R2425319AA
1990-87	2.5L Jeep (XJ, YJ, ZJ Bodies)	R2425360AA
2001-00	4.0L Jeep (XJ Body)	R2640402AA
1999-96	4.0L Jeep (All except 99 Grand Cherokee)	R2640469AA
1995-92	4.0L Jeep (XJ, YJ, ZJ Bodies)	R2640424AA
1991	4.0L Jeep (XJ, YJ, ZJ Bodies)	R2640411AA
1990-87	4.0L Jeep (XJ, YJ, ZJ Bodies)	R2640470AA
1990-87	4.2L Jeep (w/o Bypass) (J, CJ, SJ, MJ Bodies)	JR524270AA
1986	4.2L Jeep Head Casting no.3933002 (J & SJ Bodies)	JR524216AB
1985-81	4.2L Jeep (w/Bypass)	JR524280AA
1998	5.2L Magnum	R2852480*
1997-92	5.2L Magnum	R2852424
1998	5.9L V8 Magnum	R2859488*
1991-79	5.9L AMC (J, SJ Bodies)	JR527299AA

Note: Order the 8-digit part number until all corrugated boxes are distributed. The 10-digit part number ships in the new returnable container and will automatically ship to you when the corrugated container stock is depleted.

*Approved for new vehicle warranty usage.

Engines/
Engine Parts



5.2L MAGNUM SHORT BLOCK ENGINES

Below is a helpful matrix identifying what engine parts are included with the reman engine assembly.

MOPAR REMAN ENGINE MATRIX

MODEL YEAR	ENGINE	CYLINDER BLOCK	CYLINDER HEAD(S)	CRANKSHAFT	MAIN & ROD BEARINGS	CONNECTING ROD SET	PISTON, PIN, RINGS SET	INTERMEDIATE SHAFT	CAMSHAFT(S)	BALANCE SHAFT SYSTEM	VALVES AND SPRINGS	ROCKER ARMS	ROCKER SHAFTS	PUSH RODS	TAPPETS	LASH ADJUSTERS	SPARK PLUG TUBES
2002-92	5.2L	X		X	X	X	X										

Engines/
Engine Parts



PRODUCT FEATURES:

- *New Pistons, Pins and Rings*
- *New Bearings*
- *Remanufactured Crankshaft*
- *Remanufactured Cylinder Block*
- *Remanufactured Connecting Rods*

All other components are remanufactured to DaimlerChrysler Engineering specifications or replaced with O.E. parts.

Gasket Pack Not Included



5.2 L M A G N U M
 S H O R T B L O C K E N G I N E S
 (continued)

MOPAR REMAN ENGINE MATRIX (CONT.)

MODEL YEARS	ENGINE	TIMING BELT SYSTEM	TIMING CHAIN SYSTEM	CYL. HEAD GASKET(S)	V. COVER(S) W/GASKETS	OIL PUMP	OIL PICKUP	OIL PAN	FRONT TIMING COVER	TIMING INNER COVER	ALTERNATOR BRACKET	WATER PUMP	INSTALLER'S GASKET SET	RETURNABLE CONTAINER	CARDBOARD BOX	WOODEN BOX
2002-92	5.2L														X	



Engines/
 Engine Parts

TRUCKS & VANS

MODEL YEARS	APPLICATION/ENGINE DISPLACEMENT	REMAN PART NO.
2002-92	5.2L	R9852422

2.0L SOHC, 2.2L/2.5L 4-CYLINDER,
2.0L/2.4L DOHC, 2.5L V6,
2.6L CYLINDER HEADS



PRODUCT FEATURES:

- **New Camshaft**
(Excludes 2.0L/2.4L DOHC)
- **Rockers and Lash Adjusters**
(Excludes 2.0L/2.4L DOHC)
- **Valves and Springs**
- **Spark Plug Tubes**
(Excludes 2.0L/2.4L DOHC)
- **New Seals and Freeze Plugs**
- **100% Vacuum Leak Tested to Ensure Reliable and Dependable Performance**
- **2.0L SOHC Cylinder Head Gasket Pack Includes:**

(Excludes 2.0L/2.4L DOHC)

- > SPARK PLUG TUBE SEAL (4)
- > VALVE COVER GASKET
- > EGR VALVE GASKET
- > CAMSHAFT SENSOR SEAL
- > INTAKE MANIFOLD GASKET
- > CYLINDER HEAD GASKET

- **2.0L /2.4L DOHC Cylinder Head Gasket Pack Includes:**

- > VALVE COVER GASKET
- > SPARK PLUG WELL SEALS
- > INTAKE MANIFOLD GASKET
- > CYLINDER HEAD GASKET
- > CAMSHAFT SENSOR SEAL

- **2.2L /2.5L Cylinder Head Gasket Pack Includes:**

- > VALVE COVER GASKET
- > CYLINDER HEAD GASKET
- > WATER OUTLET GASKET
- > MANIFOLD GASKET

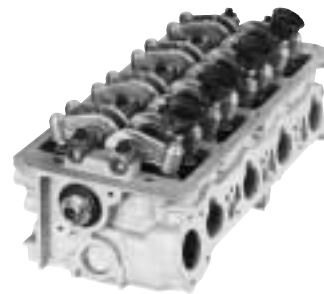
- **2.5L SOHC V6 Cylinder Head Gasket Pack Includes:**

- > CYLINDER HEAD GASKET ONLY

- **2.6L Gasket Pack Includes:**

- > CYLINDER HEAD COVER SEAL
- > SEMI CIRCULAR PACKING
- > INTAKE MANIFOLD GASKET
- > VALVE COVER GASKET
- > CYLINDER HEAD GASKET
- > EXHAUST MANIFOLD GASKET
- > FUEL PUMP GASKET
- > OIL FILLER CAP SEAL

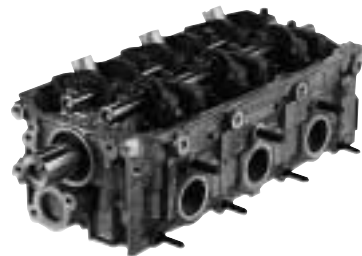
- **Remanufactured Cylinder Head**
- **Remanufactured Rocker Arms**
- **Remanufactured Rocker Shafts**
- **Remanufactured Intake and Exhaust Valves**
- **2.0L/2.4L DOHC Includes Only Valves and Springs**



2.0L SOHC CYLINDER HEAD



2.2L/2.5L CYLINDER HEAD
& CAM ASSEMBLY



2.5L V6 CYLINDER HEAD

3.0L , 3.2L/3.5L ALUMINUM
SOHC , 3.3L/3.8L
CYLINDER HEADS



PRODUCT FEATURES:

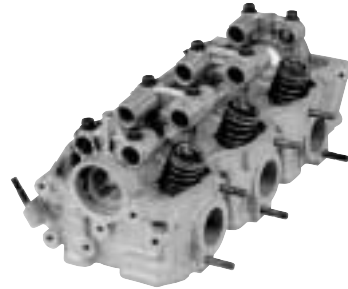
3.0L

■ *Cylinder Head with Valves and Springs*

■ *100% Vacuum Leak Tested to Ensure Reliable and Dependable Performance*

■ *Gasket Pack Includes:*

- > OIL - ROCKER BOLT COVER SEAL (2)
- > DISTRIBUTOR ADAPTER O-RING
- > SURGE TANK
- > CAMSHAFT OIL SEAL
- > EXHAUST CROSSOVER GASKET
- > INTAKE MANIFOLD GASKET
- > CYLINDER HEAD CAMSHAFT END SEAL
- > VALVE COVER GASKET
- > CYLINDER HEAD GASKET
- > VALVE COVER BOLT (2)
- > EXHAUST MANIFOLD GASKET



3.0L CYLINDER HEAD

Engines/
Engine Parts

PRODUCT FEATURES:

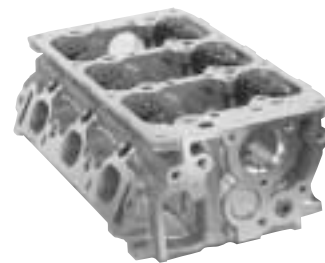
3.2L/3.5L ALUMINUM SOHC

■ *New Valves and Springs*

■ *100% Vacuum Leak Tested to Ensure Reliable and Dependable Performance*

■ *Gasket Pack Includes:*

- > INTAKE MANIFOLD GASKET
- > VALVE COVER GASKET



3.2L/3.5L ALUMINUM SOHC
CYLINDER HEAD

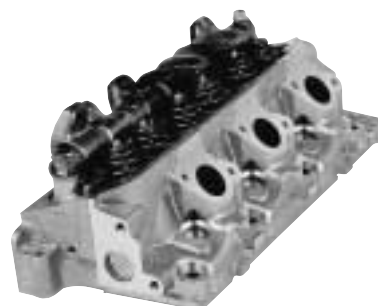
3.3L/3.8L

■ *Rocker Shaft*

■ *Rockers*

■ *Valves and Springs*

■ *100% Vacuum Leak Tested to Ensure Reliable and Dependable Performance*



3.3L/3.8L CYLINDER HEAD

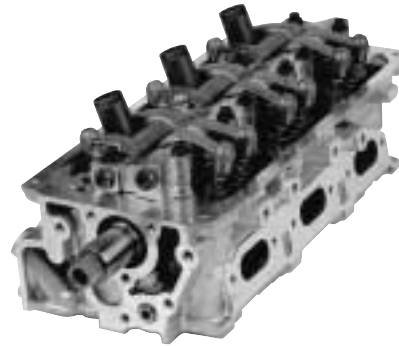
3.5L, 3.9L CYLINDER HEADS



PRODUCT FEATURES:

3.0L

- *Camshaft*
- *Rocker Arms*
- *Valves and Springs*
- *100% Vacuum Leak Tested to Ensure Reliable and Dependable Performance*
- *Rocker Shafts and Pedestals*
- *Spark Plug Tubes*
- *Gasket Pack Includes:*
 - > *PLENUM INTAKE MANIFOLD GASKET*
 - > *INTAKE MANIFOLD GASKET (2)*
 - > *CYLINDER HEAD COVER GASKET*
 - > *CYLINDER HEAD GASKET*
 - > *THRUST PLATE O-RING*
 - > *FUEL RAIL GASKET (2)*
 - > *SPARK PLUG TUBE SEAL (3)*



1997-93 3.5L

PRODUCT FEATURES:

3.9L

- *Remanufactured Cylinder Head*
- *New Valves*
- *New Springs*
- *New Seals*
- *New Freeze Plugs*
- *100% Vacuum Leak Tested to Ensure Reliable and Dependable Performance*

2.5L/4.0L,
5.2L/5.9L, 8.0L
C Y L I N D E R H E A D S



PRODUCT FEATURES:

2.5L/4.0L

- *New Intake and Exhaust Valves*
- *New Valve Springs*
- *New Freeze Plugs*
- *New Seals*



PRODUCT FEATURES:

5.2L/5.9L

- *Note: The Magnum Cylinder Head Comes Complete Except for Rocker Arms and Cylinder Head Gasket – Order Separately.*
- *Remanufactured Cylinder Head*
- *New Valve Springs*
- *New Freeze Plugs*
- *New Valves*
- **New Seals**
- *100% Vacuum Leak Tested to Ensure Reliable and Dependable Performance*



8.0L

- *Remanufactured Cylinder Head*
- *New Valves*
- *New Springs*
- *New Seals*
- *New Freeze Plugs*
- *100% Vacuum Leak Tested to Ensure Reliable and Dependable Performance*



C Y L I N D E R H E A D S

Below is a helpful matrix identifying what cylinder head parts are included with the reman cylinder head assembly.

MOPAR REMAN CYLINDER HEAD MATRIX

MODEL YEAR	ENGINE	CYLINDER HEAD	CAMSHAFT(S)	VALVES AND SPRINGS	ROCKER ARMS	ROCKER SHAFTS	TAPPETS	LASH ADJUSTERS	SPARK PLUG TUBES	CYL. HEAD GASKET	INSTALLER'S GASKET SET	CARDBOARD BOX
2002-94	2.0L SOHC	X	X	X	X	X	X			X	X	X
1999-94	2.0L DOHC FE	X		X						X	X	X
1999-95	2.0L DOHC RE	X		X						X	X	X
1995-81	2.2L/2.5L all	X	X	X	X			X		X	X	X
2000-95	2.4L DOHC RE	X		X						X	X	X
2000-95	2.5L MMC	X	X	X	X	X	X		X	X	X	X
1999-87	2.5L Jeep	X		X								X
1987-81	2.6L MMC	X	X	X	X	X				X	X	X
2000-87	3.0L MMC	X		X						X	X	X
2002-98	3.2L/3.5L SOHC Aluminum	X		X							X	X
2000-90	3.3L/3.8L OHV	X		X	X	X						X
1997-93	3.5L SOHC Iron	X	X	X	X	X	X		X	X	X	X
2002-86	3.9L OHV	X		X								X
1999-96	4.0L Jeep OHV	X		X								X
1995-91	4.0L Jeep OHV	X		X								X
1990-87	4.0L Jeep OHV	X		X								X
2002-75	5.2L/5.9L OHV	X		X								X
2002-94	8.0L OHV Iron	X		X								X

Engines/
Engine Parts

C Y L I N D E R H E A D S



PRODUCT FEATURES:

- New intake and exhaust valves
- New valve springs
- New core plugs
- New seals

TRUCKS, VANS AND JEEP®
(COMPLETE EXCEPT FOR ROCKER ARMS AND CYLINDER HEAD GASKET)

MODEL YEAR	APPLICATION/ENGINE DISPLACEMENT	REMAN PART NO.
1987-86	2.2L Carb. (high swirl) AN Body	R0550067
1995-88	2.2L/2.5L, rollers	R5504082
1999-87	2.5L Jeep	R5625479
2002-98	3.9L (Truck & Van Only)	R5639480*
1997-92	3.9L V6 Magnum (Truck & Van Only)	R5639426
1991-86	3.9L V6	R5639261
1999-96	4.0L Jeep (All except 99 Grand Cherokee)	R5640469
1995-91	4.0L Jeep	R5640415
1990-87	4.0L Jeep	R5640470
2002-98	5.2L	R5852480*
1998-92	5.2L V8 Magnum (Jeep Only)	R5852426*
1997-92	5.2L V8 Magnum (Truck & Van Only)	R5852426*
1991-85	5.2L V8	R5852251
1984-75	5.2L V8	R5852054
2002-98	5.9L	R5852480*
1998	5.9L V8 Magnum (Jeep Only)	R5852426*
1997-93	5.9L V8 Magnum (Truck & Van Only)	R5852426
1992-75	5.9L V8 N Body	R5859292
2002-01	8.0L (Truck Only) V10	R5080411*
2000-94	8.0L V10	R5080446*

*Approved for new vehicle warranty usage.

Engines/
Engine Parts



CYLINDER HEADS

(continued)

PASSENGER CARS

MODEL YEAR	APPLICATION/ENGINE DISPLACEMENT	CAMSHAFT	REMAN PART NO.
2000	2.0L SOHC Fed, LEV	Yes	R5420402*
1999-96	2.0L SOHC Fed, LEV, TLEV	Yes	R5420469*
1999-95	2.0L DOHC (Rear Exhaust w/valves)	No	R5420659*
1999-94	2.0L DOHC (Front Exhaust w/valves)	No	R5420649*
1995-94	2.0L SOHC 16V (ECB/ECH)	Yes	R5420445
1995-88	2.2L rollers (EFI)	Yes	R5504082
1990-89	2.2L Turbo IV, rollers	Yes	R5504102
1988	2.2L Turbo, rollers	Yes	R5522188
1987	2.2L Turbo II (high swirl)	Yes	R0553077
1987-86	2.2L TBI (high swirl)	Yes	R0551067
1987-86	2.2L Turbo I (high swirl)	Yes	R0552067
1987-86	2.2L Carb. L Body only (including Shelby)	Yes	R0550157
1985	2.2L Carb. E, G, H, K Bodies	Yes	R0550157
1985	2.2L TBI	Yes	R0551155
1985	2.2L Turbo I	Yes	R0552155
1984	2.2L Turbo I	Yes	R0552945
1984-83	2.2L Carb. E, G, H, K, L Bodies	Yes	R0550937
1984-83	2.2L TBI	Yes	R0551935
2000-95	2.4L DOHC (Rear Exhaust w/valves)	No	R5424650*
2000-98	2.5L SOHC (Rear, Right) V6	Yes	R6625480*
2000-98	2.5L SOHC (Front, Left) V6	Yes	R5625480*
1997-95	2.5L SOHC (Rear, Right) V6	Yes	R6625457
1997-95	2.5L SOHC (Front, Left) V6	Yes	R5625457
1995-88	2.5L rollers (EFI)	Yes	R5504082
1995-93	2.5L Flex fuel, rollers (EFI)	Yes	R5504935
1994-89	2.5L Turbo, rollers	Yes	R5504102
1989-88	2.5L Turbo II, rollers	Yes	R5504102
1987-86	2.5L TBI (high swirl)	Yes	R0551067
1987-81	2.6L w/2 valve head	Yes	R5426017
1987-81	2.6L w/3 valve head, jet valve	Yes	R5426117
1997-87	3.0L (w/valves and springs)	No	RM553087*
2002-98	3.2L/3.5L SOHC (w/valves and springs)	No	R5635488*
1997-93 1/2	3.3L and 3.8L (Head Casting no. 4621510)	No	R5633436
1993 1/2-90	3.3L and 3.8L (Head Casting no. 4448015)	No	R5633403
1997-95	3.5L LH Body (left)	Yes	R5635457
1997-95	3.5L LH Body (right)	Yes	R6635457
1994-93	3.5L LH Body (left)	Yes	R5635434
1994-93	3.5L LH Body (right)	Yes	R6635434

*Approved for new vehicle warranty usage.

MINIVANS

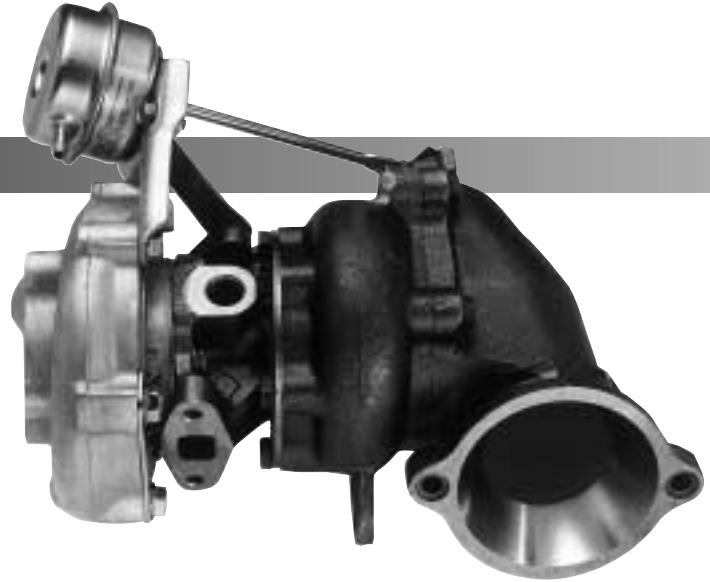
MODEL YEAR	APPLICATION/ENGINE DISPLACEMENT	CAMSHAFT	REMAN PART NO.
1995-88	2.2L rollers (EFI)	Yes	R5504082
1989	2.2L Turbo, rollers	Yes	R5522188
1987-86	2.2L Carb. (high swirl) S Body	Yes	R0550067
1985	2.2L Carb. AS Body	Yes	R0550157
1984	2.2L Carb. AS Body	Yes	R0550937
2000-95	2.4L DOHC (rear exhaust)	No	R5424650*
1995-88	2.5L rollers (EFI)	Yes	R5504082
1990-89	2.5L Turbo, rollers	Yes	R5504102
2000-87	3.0L (with valves and springs)	No	RM553087*
2000-98	3.3L/3.8L (Head Casting no. 4694183)	No	R5633480*
1997-94	3.3L NGV (Head Casting no. 4621510)	No	R5633947
1997-93 1/2	3.3L/3.8L (Head Casting no. 4621510)	No	R5633436
1993 1/2-90	3.3L/3.8L (Head Casting no. 4448015)	No	R5633403

Engines/
Engine Parts

TURBOCHARGERS

PRODUCT FEATURES:

- Completely new center housing rotating assemblies includes bearings and wheels
- All remanufactured turbochargers contain 360 degree water-cooled bearing housings



PASSENGER CARS

MODEL YEAR	APPLICATION	O.E. PART NO.	REMAN PART NO.
1992	All 2.5L	4448992	R4448992
1991	All (CA)	4483185	R4483185
	All (Except CA)	4448992	R4448992
1990	A, G, J, P Bodies, 2.5L (CA)	4483185	R4483185
	A, G, J & P Bodies, 2.5L (Except CA)	4448992	R4448992
1989	A, G, H, J & P Bodies 2.2L Turbo w/o Intercooler (CA)	4483185	R4483185
	A, G, H, J & P Bodies 2.2L Turbo w/o Intercooler (Except CA)	4448992	R4448992
1988	All	4556016/4387235	R4556016
1987-85	All (except Shelby and GLH)	4105800	R0936057
1984	All	4105794	R0936004

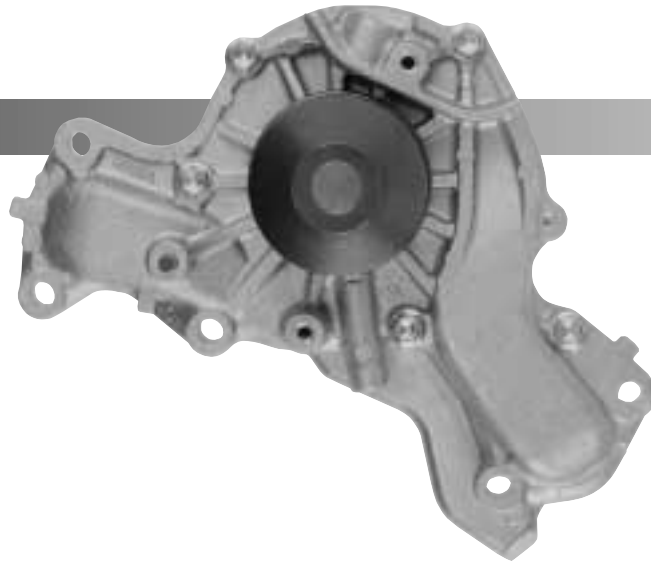
MINIVANS

MODEL YEAR	APPLICATION	O.E. PART NO.	REMAN PART NO.
1990	AS Body, 2.5L (CA)	4483185	R4483185
	AS Body, 2.5L (Except CA)	4448992	R4448992
1989	AS Body, 2.2L Turbo w/o Intercooler (CA)	4483185	R4483185
	AS Body, 2.2L Turbo w/o Intercooler (Except CA)	4448992	R4448992

Note: Refer to the Diesel product section for diesel applications.

PRODUCT FEATURES:

- New ceramic seals
- New bearings
- Each pump is 100% hub and bearing gauged to specifications and 100% vacuum tested



IMPORT PASSENGER CARS AND MINIVANS

MODEL YEAR	APPLICATION	ENGINE	O.E. PART NO.	REMAN PART NO.
1998-97	NS Body	3.3L, 3.8L	5010898AA	R5010898AB
1998-95	LH Body	3.5L	5003085AA	R5003085AA
1998-88	All Passenger Cars, Minivans	3.0L	MD972003	R972003MAC
1998-81	All Passenger Cars	2.2L, 2.5L	4293898	R4293898
1997	LH Body	3.3L	5010897AA	R5010897AB
1997-91	AS, NS Bodies	3.3L, 3.8L	4448978	R4448878
1996	NS Body	2.4L w/hydraulic tensioner	4621489	R4621489
1996-95	JA, JX Bodies	2.4L w/hydraulic tensioner	4621489	R4621489
1996-93	LH Body	3.3L	5281175	R5281175
1996-91	Stealth, SOHC	3.0L	MD972003	R972003MAB
1995-91	All Passenger Cars	2.2L, 2.5L except 16-valve	4621172	R4621172
1994-93	LH Body	3.5L	4882837	R4882837
1994-85	Colt	1500cc	MD997076	R0091093
1993-91	A, G Bodies	Turbo	4626682	R4626682
1993-91	G Body	2.2L 16-valve	4626682	R4626682
1990	All Passenger Cars	2.2L, 2.5L	4293898	R4293898
1990-81	Colt	1.4L, 1.5L	MD997076	R0091093
1989	All Passenger Cars	2.2L, 2.5L	4798497	R4798497
1989-82	All Passenger Cars	318 CID	4728533	R4728533
1989-82	All Passenger Cars	318 CID	4728533	R4728533
1989-70	All Passenger Cars	5.2L, 5.9L	3837641	R0091079
1988-81	All Passenger Cars	2.2L, 2.5L	4293898	R0091091
1987-78	All Passenger Cars	3.7L 225 CID	4131243	R0091065
1985-84	Conquest	2.6L	MD997082	R0091089
1985-81	All Passenger Cars	2.6L	MD025190	R0091092
1979-72	All Passenger Cars	400, 440 CID	3780127	R0091080

W A T E R P U M P S

(continued)

TRUCKS

MODEL YEAR	APPLICATION	ENGINE	O.E. PART NO.	REMAN PART NO.
1998-93	All Trucks	5.9L	53021018	R3021018AC
1998-93	All Trucks	3.9L, 5.2L	53021018	R3021018AC
1995-90	AN Body	2.5L	4621172	R4621172
1992-82	All Trucks	5.9L	4728533	R4728533
1992-70	All Trucks	5.2L, 5.9L	3837641	R0091079
1991-86	All Trucks	3.9L	3837641	R4728533
1991-82	All Trucks	5.2L*, 5.9L	3780109/4483754	R4728533
1988-81	All Trucks	2.2L, 2.5L	4293898	R4293898
1987-78	All Trucks	3.7L 225 CID	4131243	R0091065
1984-79	D50 Pickup	2.6L	MD997082	R0091089

*Note: 1991 N-Truck w/5.2L use 4483754

JEEP®

MODEL YEAR	APPLICATION	ENGINE	O.E. PART NO.	REMAN PART NO.
1998-91	All Jeep	5.2L, 5.9L	53008354/ 53020280	R3021018AC
1998-91	All Jeep	2.5L (all), 4.0L (YJ, ZJ)	4626054	R4626054
1998-87	XJ, MJ Bodies	4.0L	4626215	R4626215
1992-76	All Jeep	w/V8 eng. (305 & 360 CID)	J3234427	JR775050
1989-87	MJ, XJ, J, SJ, YJ Bodies	2.5L w/serpentine belt 4.2L w/serpentine belt	8277519	JR775047
1987-84	MJ, XJ Bodies	w/V6 GM	83500807	JR775049
1986-83	All Jeep	2.5L w/o serpentine belt	J9990807	JR775046
1986-83	All Jeep	233 CID, 258 CID w/o serpentine belt	J9990807	JR775046
1986-83	All Jeep, AMC engine	2.5L w/serpentine belt	J8134321	JR775047
1986-81	All Jeep	6-cyl. w/serpentine belt	J8134321	JR775047
1975-79	All Jeep	w/6-cyl.	J8126772	JR775048

Note: Refer to the Diesel product section for diesel applications.

EAGLE

MODEL YEAR	APPLICATION	ENGINE	O.E. PART NO.	REMAN PART NO.
1997-93	Vision	w/3.3L	5281175	R5281175
1994-93	Vision	w/3.5L	4556541	R4882837
1988-89	Medallion	w/4-cyl.	T1468182	JR775053
	Premier	w/4-cyl.	83503407	JR775122

W A T E R P U M P S

(continued)

AMC PASSENGER CARS

MODEL YEAR	APPLICATION	ENGINE	O.E. PART NO.	REMAN PART NO.
1988-81	AMC	6-cyl. w/serpentine belt	J8134321	JR775047
1986-83	AMC	4-cyl. w/o serpentine belt	J9990807	JR775046
1986-83	AMC	6-cyl. w/o serpentine belt	J9990807	JR775046
1984-83	AMC	4-cyl. w/serpentine belt	J8134321	JR775047
1979-76	AMC	V8	J3234427	JR775050
1979-75	AMC	6-cyl.	J8126772	JR775048

RENAULT

MODEL YEAR	APPLICATION	ENGINE	O.E. PART NO.	REMAN PART NO.
1987	GTA	2.0L	T1463397	JR775055
1987-85	Alliance/Encore	1.7L	T1463397	JR775055
1987-83	Alliance/Encore	1.4L	T1462491	JR775051
1986-84	18i	2.2L	T1468182	JR775053
1985-84	Fuego	2.2L	T1468182	JR775053

Engines/
Engine Parts

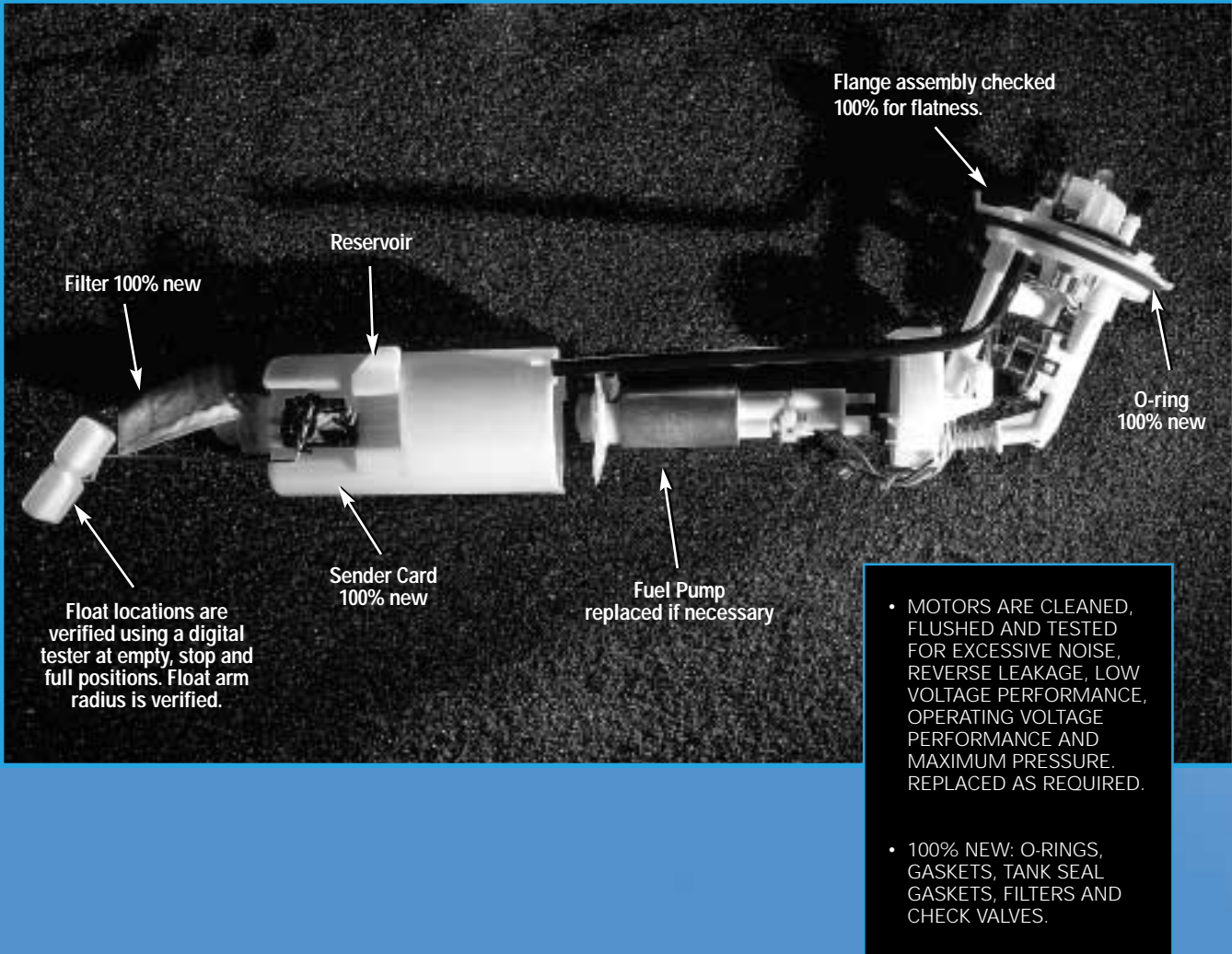
FUEL SYSTEMS

Electric Fuel Pumps

14

GROUP





ELECTRIC FUEL PUMP

The Mopar Difference

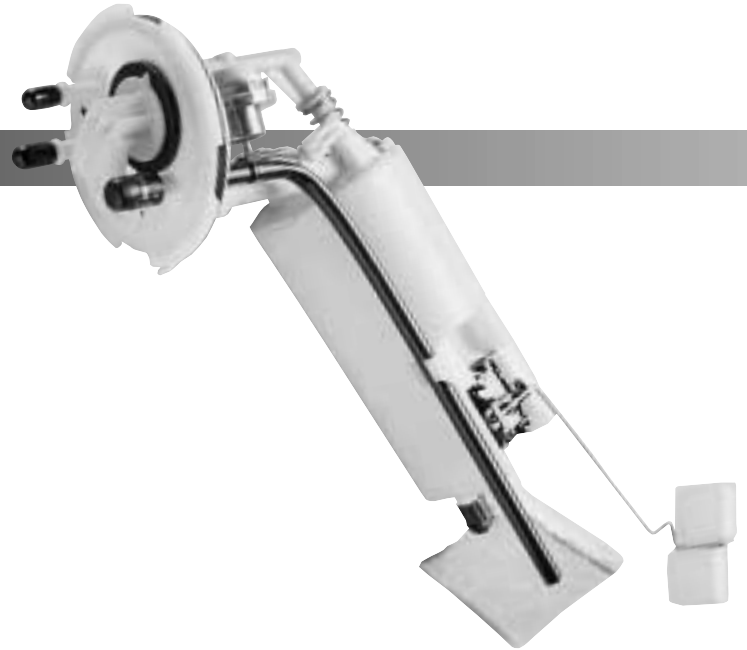
ELECTRIC FUEL PUMPS

PRODUCT FEATURES:

- Extensive product testing for leakage, current draw internal and external leakage, maximum pressure and voltage
- All parts thoroughly inspected, cleaned or replaced

100% NEW PARTS:

- Rubber O-rings
- Gaskets
- Sender Cards
- Filters
- Return Valves



PASSENGER CARS

MODEL YEAR	APPLICATION	O.E. PART NO.	REMAN PART NO.
1996	LH Body	4856445	R4856445
1996	PL Body w/Plastic Tank	4798485	R4798485
1996-95	JA Body	4778198	R4778198
1996-95	PL Body	4864035	R4864035
1995-93	LH Body	4773804	R4773804
1995-93	LH Body - Flex Fuel	4778112	R4778112
1995-91	A, G, J, P, C, Y Bodies	4682087	R4682087
1994-93	A Body - Flex Fuel	4495391	R4495391
1993-91	A, G, Bodies Turbo 16V, 2.2L	4682088	R4682088
1992-91	BB Body (Premier, Monaco)	4796804	R4796804

Fuel Systems

MINIVANS

MODEL YEAR	APPLICATION	O.E. PART NO.	REMAN PART NO.
1996	NS Body	4746250	R4746250
1995-91	AS Body	4682761	R4682761*
1995-91	AS Body - AWD Only	4797804	R4797804**

*1991-93 minivans may require wire harness part no. 4688376 if the pump has not been previously updated.

**1991-93 minivans may require wire harness part no. 4688378 if the pump has not been previously updated.

ELECTRIC FUEL PUMPS

(continued)

TRUCKS & VANS

MODEL YEAR	APPLICATION	O.E. PART NO.	REMAN PART NO.
1997	BR Body - 3.9L, 5.2L, 5.9L, 8.0L gas engines w/auxiliary pick-up tube	4897426AA	R4897426AA
1996	AB Body - 35 gallon tank	4883029	R4883029
1996	AN Body - 15 gallon tank	4897422AA	R4897422AA
1996	AN Body - 22 gallon tank	4897437AA	R4897437AA
1996	BR Body - 26 & 35 gallon tank (except Diesel) w/o auxiliary pick-up tube	4798822	R4798822
1995	BR Body - gas	4863888	R4863888
1995-94	AB Body - 22 gallon tank	52127761	R2127761
1995-94	AN Body - 15 gallon tank V6, V8	4762408	R4762408
1995-94	AN Body - 22 gallon tank V6, V8	4762407	R4762407
1995-93	AB Body - 35 gallon tank	5014211AA	R5014211AA
1995-91	AN Body - 15 gallon tank	4762996	R4762996
1995-91	AN Body - 22 gallon tank	4762405	R4762405
1994	BR Body - gas	4798057	R4798057
1994	BR Body Cab & Chassis	4798287	R4798287
1993	AD Body - 30 gallon tank, 5.9L	4762541	R4762541
1993	AD Body - 34 gallon tank, 5.9L	4762543	R4762543
1993-91	AD Body	4762539	R4762539
1993-91	AD Body	4762540	R4762540
1993-91	AB Body	4773946	R4773946

Fuel Systems

Note: Refer to the Diesel product section for diesel applications.

JEEP®

MODEL YEAR	APPLICATION	O.E. PART NO.	REMAN PART NO.
1996	XJ Body	4798941/5003869AA	R5003869AA
1996	ZJ Body	4883261/5003867AA	R5003867AA
1995	ZJ Body	52018796/5003855AA	R5003855AA
1995-91	XJ Body	4762964/5003868AA	R5003868AA
1995-91	YJ Body - 15 gallon tank	52018390/5003860AA	R5003860AA
1995-91	YJ Body - 20 gallon tank	52018391/5003861AA	R5003861AA
1994-93	ZJ Body	52005099	R2005099

HEATING / AIR CONDITIONING

24

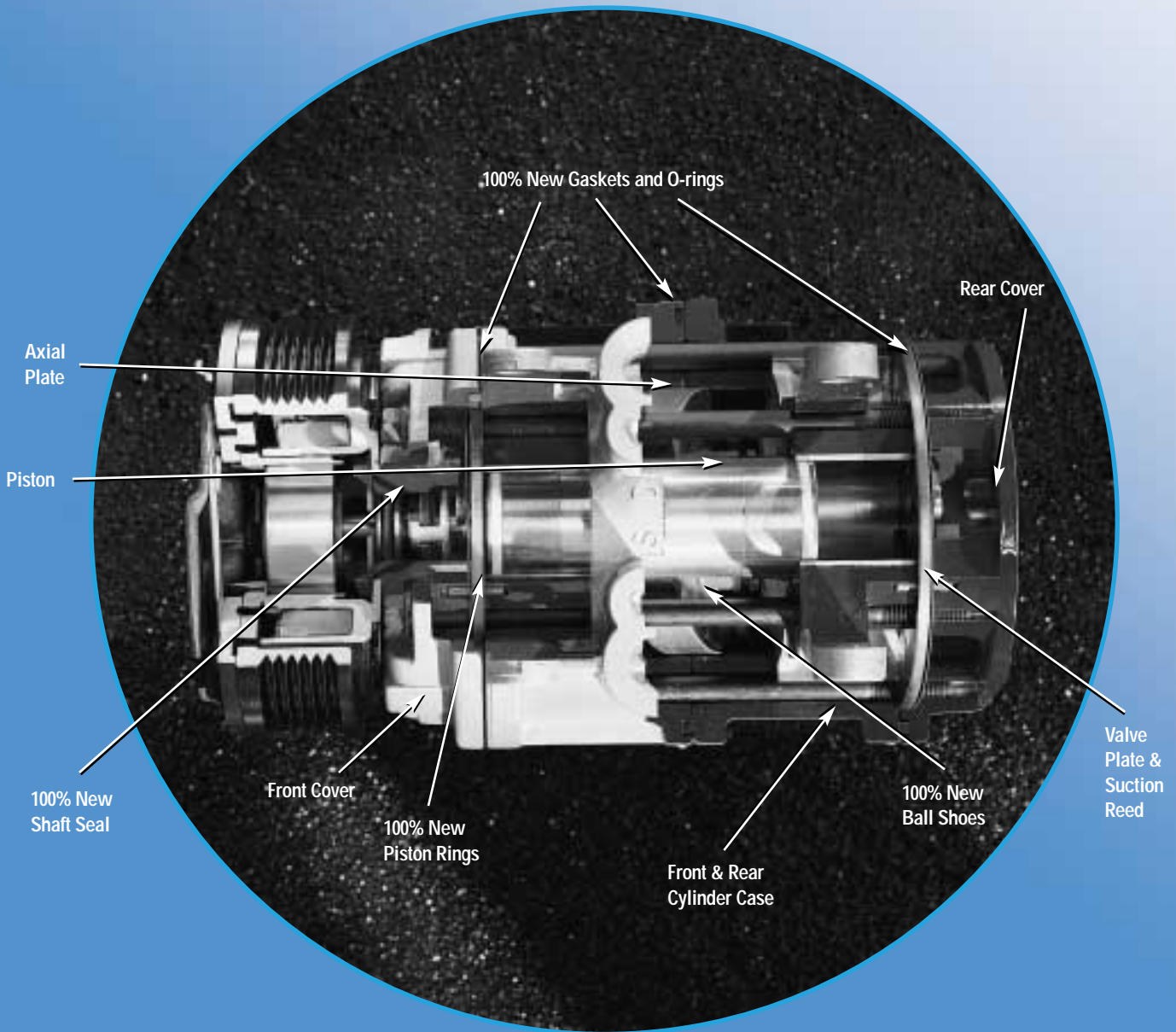
GROUP

A/C Clutch and Coil Kits

Blower Motors

A/C Compressors





A / C C O M P R E S S O R

The Mopar Difference

A / C C L U T C H A N D C O I L K I T S

PRODUCT FEATURES:

- New snap rings
- New bearings
- The armature assembly and clutch pulley assembly are balanced and all units are tested to ensure they meet DaimlerChrysler O.E. specifications



PASSENGER CARS

MODEL YEAR	APPLICATION	O.E. PART NO. CLUTCH PULLEY/ COIL ASSEMBLY	REMAN PART NO.
1991-85	L, K, E, H, G Bodies 2.2L	3848982/4462370	R0631137
	M Bodies 8-cyl.	3848981/4462370	R0631140
1987-85	K, E Bodies 2.6L, 2-groove (double connector)	3848983/4462370	R0631138
1987-80	All 4-cyl. - 1.7L, 2.2L, 1-groove (does not fit '85 L-Body)	5210384/3846845	R0631132
1984-82	All 2.6L, 2-groove (single connector)	3847764/3846845	R0631136

MINIVANS

MODEL YEAR	APPLICATION	O.E. PART NO. CLUTCH PULLEY/ COIL ASSEMBLY	REMAN PART NO.
1991-85	AS Body 2.2L	3848982/4462370	R0631137
1987-85	AS Body 2.6L, 2-groove (double connector)	3848983/4462370	R0631138

TRUCKS

MODEL YEAR	APPLICATION	O.E. PART NO. CLUTCH PULLEY/ COIL ASSEMBLY	REMAN PART NO.
1991-85	AB, AD Bodies 8-cyl.	3848981/4462370	R0631140

H E A T E R & A / C B L O W E R M O T O R S

PRODUCT FEATURES:

- Brushes, brush springs, circuit breakers, gaskets, and O-rings 100% new
- Drive gears, armature, bushings, permanent magnet field remanufactured to DaimlerChrysler standards
- Armatures are rewound to O.E. specifications
- Tested for proper current, ground and contact
- Fully computerized testing and measurement system ensures proper functioning of the motor



PASSENGER CARS

MODEL YEAR	APPLICATION	O.E. PART NO.	REMAN PART NO.
1995-91	A, C, G, J, P, Q, Y Bodies Htr. & Htr./AC	5264068	R5264068
1992-88	Eagle Premier, Dodge Monaco	83504902	R3504902
1990-85	C, E, G, H, J, K, P Bodies Htr. & Htr./AC	4443132	R4443132

MINIVANS

MODEL YEAR	APPLICATION	O.E. PART NO.	REMAN PART NO.
1995-91	AS Body; Htr. & Htr./AC	5264400	R5264400
1990-84	AS Body; Htr. & Htr./AC	4494309	R4494309

TRUCKS

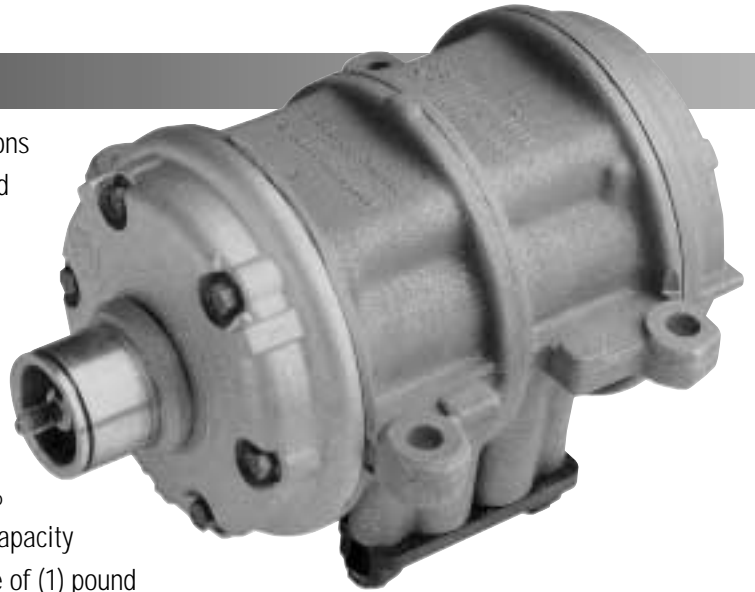
MODEL YEAR	APPLICATION	O.E. PART NO.	REMAN PART NO.
1995-90	AN Body; Htr. & Htr./AC	5264068	R5264068
1990-85	AN Body; Htr. & Htr./AC	4443132	R4443132

JEEP®

MODEL YEAR	APPLICATION	O.E. PART NO.	REMAN PART NO.
1995-91	ZJ Body; Htr. & Htr./AC	4720006	R4720006

PRODUCT FEATURES:

- Cylinders are gauged and rehone to O.E. specifications
- Shaft bearings are replaced 100% new, and shaft end play is set to O.E. tolerances
- Piston/swash plate clearances to O.E. specifications
- Reed valves are checked and tested for pressure buildup and vacuum capability
- Compressor is assembled in climate controlled room to control internal dimensional checks, contamination and rust
- Rotational torque of the pump assembly tested 100%
- Each compressor is functionally tested for pumping capacity
- Each compressor is leak tested to maximum leak rate of (1) pound refrigerant loss in 80 years with helium mass spectrometer equipment



PASSENGER CARS

MODEL YEAR	APPLICATION	ENGINE	COMPRESSOR TYPE	O.E. PART NO.	REMAN PART NO.* W/O CLUTCH
1999-96	PL Body	2.0L	10PA17C	5264745 5278462AA 5264732	R1017016
1997-96	LH Body	3.3L, 3.5L	10PA17C	4758900	R1017016
1995	PL Body	2.0L	10PA17C	4874535	R1017016
1995-94	A, P Bodies	2.2L, 2.5L (exc. 16V)	10PA17C	4677299	R1017016
1995-94	A, J, P Bodies	3.0L, 3.3L, 3.8L	10PA17C	4677301	R1017016
1995-93	LH Body	3.3L, 3.5L	10PA17C	4758452 4596148	R1017016
1993-91	A, G, J, P Bodies	3.0L, 3.3L	10PA17C	5264371	R1017016
1993-91	A, C, G, J, P Bodies	2.2L, 2.5L (exc. 16V)	10PA17C	5264372	R1017016
1992-88	BB Body	All	SD709	36001732	R7090082
1991-85	All	2.2L, 2.5L, 3.0L - Solid Engine Mount	A590	4443131	R4443131
1989-79	All	All I-6 cylinders, V8	C171	4339455	R4339455

*Compatible with both R12 and R134a refrigerant.

A / C C O M P R E S S O R S

(continued)

MINIVANS

MODEL YEAR	APPLICATION	ENGINE	COMPRESSOR TYPE	O.E. PART NO.	REMAN PART NO.* W/O CLUTCH
1995-93	AS Body	3.0L	10PA17K	4677038	R1017035
1995-93	AS Body	3.3L	10PA17K	4677347 4677039 4677346	R1017035
1995-93	AS Body	2.2L, 2.5L (exc. 16V)	10PA17C	4677040	R1017016
1992	AS Body	3.0L, 3.3L, 3.8L	10PA17C	5264371	R1017016
1991-85	All	2.2L, 2.5L, 3.0L - Solid Engine Mount	A590	4443131	R4443131

*Compatible with both R12 and R134a refrigerant.

TRUCKS

MODEL YEAR	APPLICATION	ENGINE	COMPRESSOR TYPE	O.E. PART NO.	REMAN PART NO.* W/O CLUTCH
1999-94	BR Body	All	SD7H15	55036799	R7150049
1999-94	AN Body	3.9L, 5.2L, 5.9L	SD7H15	55055540	R7150049
1996	AN Body	2.5L	SD7H15	55037358	R7150066
1995-94	AN Body	2.5L	SD7H15	55036563	R7150045
1993	AD Body	5.9L	SDB709	55035703	R7090003
1993-92	AN Body	2.5L, 3.9L, 5.2L	SDB709	55035647	R7090003
1993-92	AD Body	3.9L, 5.2L	SDB709	55035703	R7090003
1991-90	All	5.2L	SDB709	56004660	R7090003
1989-79	All	All I-6 cylinders, V8	C171	4339455	R4339455

*Compatible with both R12 and R134a refrigerant.

Note: Refer to the Diesel product section for diesel applications.

A / C C O M P R E S S O R S

(continued)

JEEP®

MODEL YEAR	APPLICATION	ENGINE	COMPRESSOR TYPE	O.E. PART NO.	REMAN PART NO.* W/O CLUTCH
1996-94	XJ Body	2.5L, 4.0L	SD7H15	55037359	R7150036
1996-94	YJ Body	All	SD709	56004354	R7090016
1996-94	ZJ Body	5.2L	10PA17C	56006551	R1017016
1993	YJ Body w/Factory A/C (after 12/23/93)	6-cyl.	SD7H15	55037359	R7150036
1993-91	YJ Body w/Factory A/C (up to 12/23/93)	6-cyl.	SD709	56004354	R7090016
1993-91	MJ, XJ Bodies, Briarwood	All	SD709	56004354	R7090016
1993-91	ZJ Body	4.0L	10PA17C	56006551	R1017016
1991-87	SJ Body	8-cyl.	SD709	56003127	R7090071
1990-87	YJ Body w/Factory A/C	6-cyl.	SD508	J3741284	R5080010
1990-87	MJ, SJ, XJ Bodies w/wide cylinder head stamped 5081U (4-cyl.)	4-cyl., 6-cyl.	SD508	53005752	R5080070
1990-87	MJ, SJ, XJ Bodies w/narrow cylinder head stamped U5085P3	4-cyl.	SD508	J3741284	R5080010
1990-87	SJ, J10, J20 Body	6-cyl.	SD508	J3741284	R5080010
1986-81	CJ, MJ, SJ, XJ Bodies w/Factory A/C	4-cyl., 6-cyl.	SD508	J3741284	R5080010
1986-81	MJ Body w/American A/C	6-cyl.	SD508	J3741284	R5080010

*Compatible with both R12 and R134a refrigerant.

A / C C O M P R E S S O R S W I T H C L U T C H K I T

PRODUCT FEATURES:

- Each part is cleaned and inspected
- Cylinders are gauged and rehone
- Shaft bearings are removed and replaced, if necessary
- Reed valves are checked and tested for pressure buildup and vacuum capability
- Front and rear heads are inspected to ensure O-ring seals, threads and all internal surfaces are free from imperfections and external damage
- Piston rings and O-rings are replaced with new
- Clutch kit is included



PASSENGER CARS

MODEL YEAR	APPLICATION	ENGINE	O.E. PART NO.	REMAN PART NO.* w/CLUTCH KIT
1999-96	PL Body	1.8L, 2.0L	5264732/5264745/5278462AA	R1017209
1997-96	LH Body	3.3L, 3.5L	4758900	R1017357
1995-93	LH Body	3.3L, 3.5L	4596148/4758452	R1017355

*Compatible with both R12 and R134a refrigerant.

MINIVANS

MODEL YEAR	APPLICATION	ENGINE	O.E. PART NO.	REMAN PART NO.* w/CLUTCH KIT
1995-93	AS Body	3.0L	4677038	R1017305
1995-93	AS Body	3.3L, 3.8L	4677039/4677202/4677346/4677347	R1017385

*Compatible with both R12 and R134a refrigerant.

Heating & A/C

STEERING PARTS

19

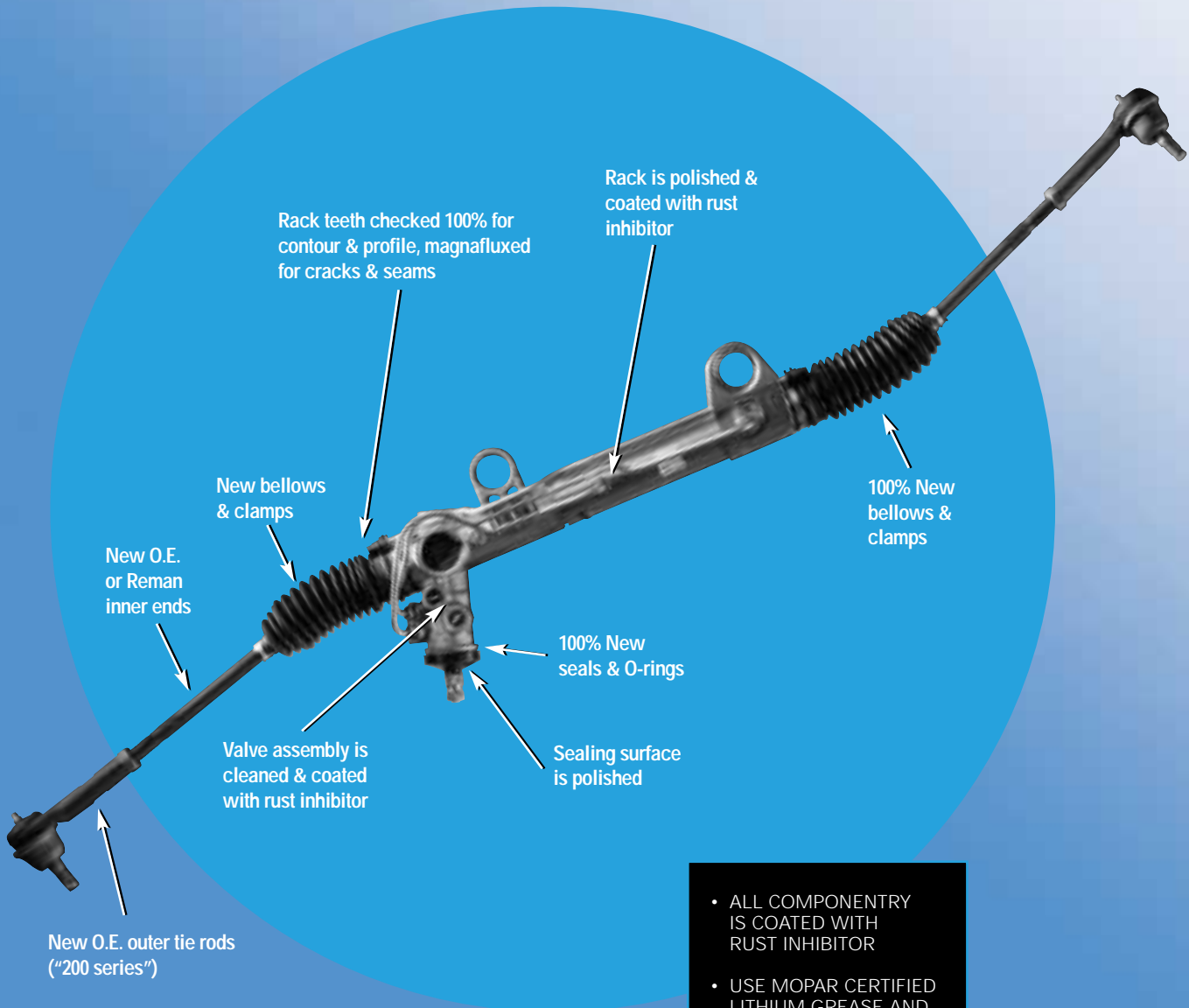
GROUP

Power Steering Pumps

Rack & Pinion
Steering Assemblies

Power Steering Gears





- ALL COMPONENTRY IS COATED WITH RUST INHIBITOR
- USE MOPAR CERTIFIED LITHIUM GREASE AND HYDRAULIC OIL

RACK & PINION

The Mopar Difference

P O W E R S T E E R I N G P U M P S

PRODUCT FEATURES:

- New O-rings
- New brass seal plate
- New seals
- New fiber gaskets
- Every remanufactured power steering pump is performance-tested to new O.E. specifications



PASSENGER CARS

MODEL YEAR	APPLICATION	O.E. PART NO.	REMAN PART NO.
1998	LH Body w/3.2L, 3.5L Hi-output (built before 7/98)	4782146AB	R4782146AB
1998	LH Body w/3.2L, 3.5L, Hi-output (built after 7/98)	4782146AC	R4782146AB
1998	PR Body w/3.5L	4798348	R4798348
1998-96	JA, JX Bodies w/2.0L SOHC; 2.4L DOHC	4656034	R4656034
1998-94	PL Body (except RHD)	4656208AC	R4656208AC
1997-95	LH w/3.3L, 3.5L	4798348	R4798348
1996-95	JA Body	4874243	R4874243
1996-95	PL Body	4626897	R4626897
1995-92	A, G (93-92), J, P Bodies (SS)	5274131	R5274131
1995-92	A, G, J Bodies (FF)	5274221	R5274221
1993-91	C, Y Bodies w/2.5L & 3.0L	5274131	R5274131
1992-88	BB Body w/3.0L	4470723	R4470723
1991	A Body w/3.0L (SS)	5274131	R5274131
1991	A Body w/2.5L, 3.0L, G, J, P, Q Bodies w/3.0L (FF)	5274221	R5274221
1990	P Body (FF)	4470275	R4470275
1990	J Body	4470314	R4470314
1990-89	C, K, L Bodies w/2.2L, 2.5L, 3.0L	4470314	R4470314
1990-89	All P Body (SS)	4470274	R4470274
1989	A Body w/2.2L, 2.5L; G, H, J Bodies (FF)	4470275	R4470275
1989	All J Body	4470274	R4470274
1989	M Body	4470379	R4470379
1988-80	F, J, M Bodies w/metric high flow, 225-318 CID	4470275	R4470275
1986-80	AMC Passenger Cars	-	R0221163
1981	All 6- & 8-cyl.	3815956	R0221136
1980	All 6- & 8-cyl.	-	R0221162
1979	L Body	-	R0221163
1979	All 6- & 8-cyl.	3815956	R0221136
1979-75	AMC Passenger Cars	3815956	R0221136
1978-77	All 360, 400, & 440 CID	3815956	R0221136

MINIVANS

MODEL YEAR	APPLICATION	O.E. PART NO.	REMAN PART NO.
1998-96	NS Body w/2.4L	4684158AB	R4684158AB
1998-96	NS Body w/3.0L, 3.3L, 3.8L, 3.3L flex fuel	4684156	R4684156
1998-92	AB Body w/3.9L, 5.2L, 5.9L	52039173	R2039173
1995-94	AS Body w/3.8L	5274132	R5274132
1995-91	AS Body w/2.5L, 3.0L (SS)	5274131	R5274131
1995-91	AS Body w/3.3L	5274132	R5274132
1990	AS Body w/ 3.3L (SS)	4470266	R4470266
1990-89	AS Body w/2.2L, 2.5L, 3.0L	4470314	R4470314

POWER STEERING PUMPS

(continued)

TRUCKS

MODEL YEAR	APPLICATION	O.E. PART NO.	REMAN PART NO.
1998	BE Body w/3.9L, 5.2L, 5.9L, 8.0L	52039145	R2039145
1998	BE, BR Bodies w/5.9L, 8.0L	52039042AB	R2039042AB
1998	DN Body w/3.9L, 5.2L, 5.9L	52039489	R2039489
1998-96	AN Body w/2.5L 4-cyl.	52038708	R2038708
1998-94	BR Body w/3.9L, 5.2L, 5.9L, 8.0L	52039145	R2039145
1998-92	AB Body w/3.9L, 5.2L, 5.9L	52039173	R2039173
1998-92	AN, DN Bodies w/3.9L, 5.2L, 5.9L	52039489	R2039489
1997	BR Body w/5.9L, 8.0L	52039042AB	R2039042AB
1997-94	ZJ Body w/4.0L, 5.2L w/speed proportional steering	52088663	R2088663
1996-94	AB Body	52007101	R2007101
1996-92	AN Body w/3.9L, 5.2L	52007104	R2007104
1995-91	AN Body w/2.5L	53009761	R3009761
1994-92	AB, AD Bodies w/3.9L, 5.2L	52007101	R2007101
1993-90	AB, AD Bodies w/3.9L	4470378	R4470378
1993-90	AB, AD Bodies w/5.9L	4470378	R4470378
1993-90	AD Body w/5.9L H,D	4470330	R4470330
1991-90	AB, AD Bodies w/5.2L	4470378	R4470378
1989-87	AN Body w/3.9L, 5.2L	4470377	R4470377
1988	AB, AD Bodies w/5.9L	4470330	R4470330
1988-80	AB, AD Bodies w/3.7L, 5.2L -metric high flow	-	R0221162

Note: Refer to the Diesel product section for diesel applications.

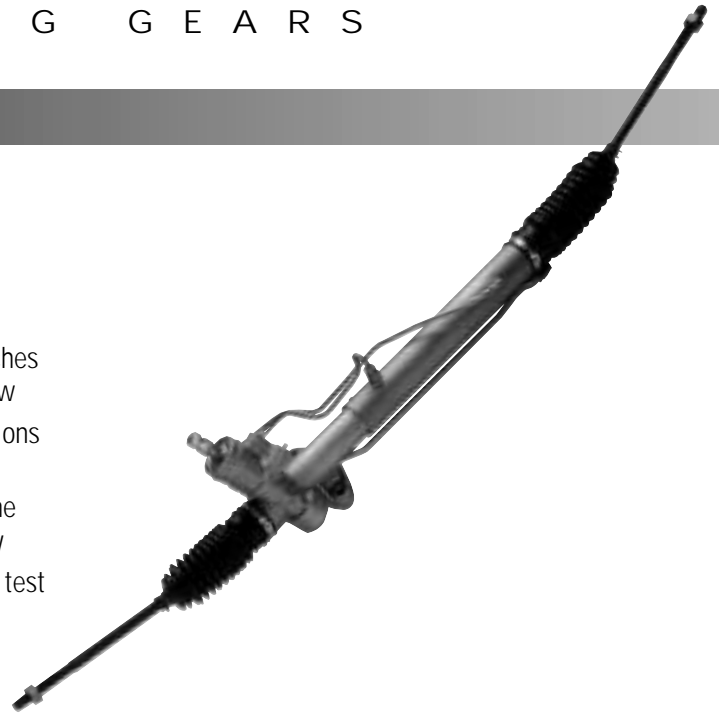
JEEP®

MODEL YEAR	APPLICATION	O.E. PART NO.	REMAN PART NO.
1998-96	TJ,XJ Bodies	52087871AD	R2087871AD
1998-96	TJ, XJ Bodies w/2.5L	52088018	R2088018
1998	ZJ Body w/5.2L, 5.9L	52088139	R2088139
1997	ZJ Body w/4.0L	52088139	R2088139
1997-94	ZJ Body w/4.0L, 5.2L w/speed proportional steering	52088663	R2088663
1996	ZJ Body w/4.0L, 5.2L w/o speed proportional steering	52088139	R2088139
1995-94	YJ Body w/4.0L	53007140	R2088426
1995-92	ZJ Body w/5.2L w/trailer tow	52088329	R2088329
1995-91	MJ, XJ, YJ Bodies w/2.5L	52088123	R2088123
1995-91	ZJ Body w/5.2L w/trailer tow	52088139	R2088139
1995-91	ZJ Body w/5.2L w/o trailer tow	52088327	R2088327
1995-91	ZJ Body w/4.0L w/ trailer tow	52088134	R2088134
1993-91	MJ, XJ, YJ, ZJ Bodies	53007140	R2088426
1993-91	MJ, XJ, YJ, ZJ Bodies w/4.0L (ZJ w/o trailer tow)	52088131	R2088131
1990	XJ Body w/4.0L	53008448	R3008448
1992-87	SJ Body	52037568	R2037568
1990-87	YJ Body	33001907	R3001907
1989-87	XJ Body w/4.0L	53005437	R3005437
1986-81	CJ Body w/2.5L AMC engine	33001907	R3001907
1986-80	All (except CJ w/2.5L)	-	R0221163
1979-75	All	3815956	R0221136

RACK AND PINION POWER STEERING GEARS

PRODUCT FEATURES:

- Gear assemblies are completely remanufactured to O.E. specifications
- All elastomer components replaced 100% new
- All non-elastomer components are remanufactured or replaced if necessary
- Electronic sensors, modules, solenoid and pressure switches are tested to O.E. specifications and/or replaced with new
- Performance and leak tested 100% to the O.E. specifications to ensure quality and performance
- Computerized functional test certification is scribed on the gear with a serial number for "safety critical" traceability
- Racks are inspected using a magnetic particle method to test for seam flaws and cracks
- All center take-off gears have inner and outer tie rods with O.E. attaching hardware (bolts, plates and washers)



PASSENGER CARS

MODEL YEAR	BODY	SERIES	TYPE OF STEERING	O.E. PART NO.	TAG OR AP NO.	REMAN NO. W/ OUTER TIE RODS
1998-96	AP		15" Tires w/firm feel	4470986 4694895 4694811 5286437 4470982 5274662	986 895 811 437 982 662	R0400214
1998-96	PL		Firm feel	4626971	971	R0400236
1998-95	JX		All	4656139 4656685 4626909 4656037 4656156 4626977	139 685 909 37 156 977	R0400240
1998-94	PL		All	4626890 5274331 4626861	890 331 861	R0400236
1997-95	JA		Speed Proportional	4616681 4764186 4695725 4764730 4764173	681 186 725 730 173	R0400239
1997-95	JA		Standard Power Steering	4695682 4616916 4764233 4847261	682 916 233 261	R0400238
1995-93	LH		Speed Proportional	4695736 4695874 4695830	736 874 830	R0400235
1995-93	LH		Standard Power Steering	4600003 4616985 4695820	003 985 820	R0400233

RACK AND PINION
 POWER STEERING GEARS
 (continued)

PASSENGER CARS (CONT.)

MODEL YEAR	BODY	SERIES	TYPE OF STEERING	O.E. PART NO.	TAG OR AP NO.	REMAN NO. W/ OUTER TIE RODS
1993-92	AA		15" Tires w/o firm feel	4694902 5274560 5274092	902 560 092	R0400216
	AJ		P195/R14 w/o firm feel (steel wheels)	5274662	662	R0400214
	AJ		P195/R14 w/o firm feel (alum. wheels)	5274560	560	R0400216
	AJ		P205/60R15 w/o firm feel	5274560	560	R0400216
	AJ		P205/R16 w/firm feel	4626722	722	R0400222
1993-91	AA		14" Tires w/o firm feel	5274190 5274788 4694812	190 788 812	R0400212
	AA		14" Tires w/firm feel	5274662 4470986	622 986	R0400214
	AC		All	5274020 5274529	020 529	R0400231
	AG		P185/R14 w/firm feel	5286437 4694811 4470982	437 811 982	R0400214
	AG		P205/R14 w/firm feel	5274959	959	R0400216
	AG, AJ		P205/R16 w/firm feel	4626722	722	R0400222
1993-91	AJ		16" Tires w/firm feel	5274861 4470978	861 978	R0400230
	AP		14" Tires w/o firm feel	5286327 4470983	327 983	R0400215
	AP		13" Tires w/o firm feel	5286327 4470983	327 983	R0400215
	AY		All	5274020 5274529	020 529	R0400231
1993-90	AG		14" Tires w/firm feel	5274039 5274042 5274959	039 042 959	R0400216
1993-89	AA		P195/70R14 w/firm feel	5274041 5274042 5274959	041 042 959	R0400216
	AA		15" Tires w/firm feel	5274042 5274959 4470987 4694902	042 959 987 902	R0400216

Steering
Parts

R A C K A N D P I N I O N
P O W E R S T E E R I N G G E A R S
(continued)

PASSENGER CARS (CONT.)

MODEL YEAR	BODY	SERIES	TYPE OF STEERING	O.E. PART NO.	TAG OR AP NO.	REMAN NO. W/ OUTER TIE RODS
1993-89	AG	V	P205/R15 w/firm feel	5274042 5274959	042 959	R0400216
	AJ	C	15" Tires w/firm feel	5274042 5274092 4470304 4470848 5274959 4470984	042 092 304 848 959 984	R0400216
	AP	P, D	15" Tires w/o firm feel	5274040 5286327 4470646 4470809 5286437	040 327 646 809 437	R0400215
1991	AP		15" Tires w/firm feel	4694795 4470982	982	R0400214
	AA		P185/70R14 w/firm feel	5274040 5286327	040 327	R0400215
1991-90	AJ		15" Tires w/o firm feel	5274022 4470407	022 407	R0400223
1991-89	AJ	C	14" Tires w/o firm feel	5274022 4470298 4470974 4470977	022 298 974 977	R0400223
1990	AA		14" Tires w/o firm feel	5274192	192	R0400213
	AG		16" Tires w/firm feel	5274043 4470435	043 435	R0400221
	AJ		16" Tires w/firm feel	5274043 4470435	043 435	R0400221
	AP MT Only		13" Tires w/firm feel	5274041 5274042 5274959	041 042 959	R0400216
1990-89	AP	P, D	15" Tires w/firm feel	5274040 5286327	040 327	R0400215
1990-89	AC, C		All	4470296 4470858	296 858	R0400207
	AG, AJ, AQ, Q		P225/R15 w/firm feel	5274043 4470301 4470435	043 301	R0400221
	AP	P, D	14" Tires w/o firm feel	4470295 4470413	295 413	R0400227

Steering
Parts

R A C K A N D P I N I O N
P O W E R S T E E R I N G G E A R S
(continued)

PASSENGER CARS (CONT.)

MODEL YEAR	BODY	SERIES	TYPE OF STEERING	O.E. PART NO.	TAG OR AP NO.	REMAN NO. W/ OUTER TIE RODS
1990-89	AP, P	P, D	13" Tires w/o firm feel	4470295 4470413	295 413	R0400227
	AQ, Q	C	All	5274043 4470301	043 301	R0400221
1990-78 (exc. 1984)	L	M, Z	All	4147225 3815827 3815833 4172936 4186850 4188857 4293162 4293168 4293169 4333118	025 027 033 036 050 057 062 068 069 118	R0400200
1989	G	V	14" Tires w/firm feel	5274038 5274040 4470291	038 040 291	R0400215
	H	C, D	14" Tires w/firm feel	5274040 5286327 4470646 4470809	040 327 646 809	R0400215
	H	C, D	15" Tires w/firm feel	5274042 4470304 4470848 5274959	042 304 848 959	R0400216
	K	D, P	All	4470413	413	R0400227
1988	C		All	4470353	353	R0400232
	J	C	14" Tires w/o firm feel	4470599 4333792	599 792	R0400209
	J	C	15" Tires	4333633	633	R0400205
1988-87	J	C	14" Tires w/firm feel	4147009 4147451 4364785 4333570 4333670	009 051 085 570 670	R0400204
	P	D, P	All w/o firm feel	4333608	608	R0400209
	P	D, P	All w/firm feel	4364785 4333570 4333670	085 570 670	R0400204

Steering
Parts

R A C K A N D P I N I O N
P O W E R S T E E R I N G G E A R S
(continued)

PASSENGER CARS (CONT.)

MODEL YEAR	BODY	SERIES	TYPE OF STEERING	O.E. PART NO.	TAG OR AP NO.	REMAN NO. W/ OUTER TIE RODS
1988-85	H	C, D	15" Tires	4333633	633	R0400205
	H	C, D	14" Tires w/firm feel	4147009 4147451 4364785 4333570 4333670	009 051 085 570 670	R0400204
1988-84	G	C, V	15" Tires	4147289 4333466	089 466	R0400205
	G	C, V	14" Tires w/firm feel	4147009 4147451 4364785 4333570 4333670	009 051 085 570 670	R0400204
1988-83	E	E, J, T	All w/o firm feel	4188871 4147308 3643475 4333508 4333608	071 308 475 508 608	R0400209
	E	E, J, T	All w/firm feel	4147009 4147451 4364785 4333570 4333670	009 051 085 570 670	R0400204
1988-81	K	C, D, V, P	All w/o firm feel	4188871 4147308 3643495 4333508 4333608	071 308 475 508 608	R0400209
1988-81	K	C, D, V, P	All w/firm feel	4147009 4147451 4364785 4333570 4333670	009 051 085 570 670	R0400204
1987	J	C	16" Tires	4147289 4333466	089 466	R0400205
1987-83	L	Z	Shelby	4147228	228	R0400203

RACK AND PINION
POWER STEERING GEARS
(continued)

MINIVANS

MODEL YEAR	BODY	SERIES	TYPE OF STEERING	O.E. PART NO.	TAG OR AP NO.	REMAN NO. W/ OUTER TIE RODS
1998-96	NS		All	4743080 4743081 4874878	080 081 878	R0400237
1995-91	AS		All	5274778 4470852 4684928 4694907	778 852 928 907	R0400228
1990-89	AS	K, H	All	4470303	303	R0400211
1988-84	AS	K, H	All	4333523	523	R0400206

TRUCKS

MODEL YEAR	BODY	TYPE OF STEERING	O.E. PART NO.	TAG OR AP NO.	REMAN NO. W/ OUTER TIE RODS
1996-93	AN	All (after 7/12/93)	52038612	612	R0400234
1993-91	AN	All	52006272	272	R0400225
1990	AN	All	52004762	762	R0400226
1989-87	AN	All	4333081 4470181	081 181	R0400210

POWER STEERING GEAR PRODUCT FEATURES:

- New seals
- New gaskets
- Dual bearing design on sector shaft
- All components of remanufactured power steering gears meet O.E. specifications

PASSENGER CARS AND TRUCKS

MODEL YEAR	APPLICATION	O.E. PART NO.	REMAN PART NO.
1992-73	AB, M Bodies	3643333	R3643333

TRANSAXLES / TRANSMISSIONS / COMPONENTS / TRANSFER CASES

21

GROUP

Transaxles

Transmissions

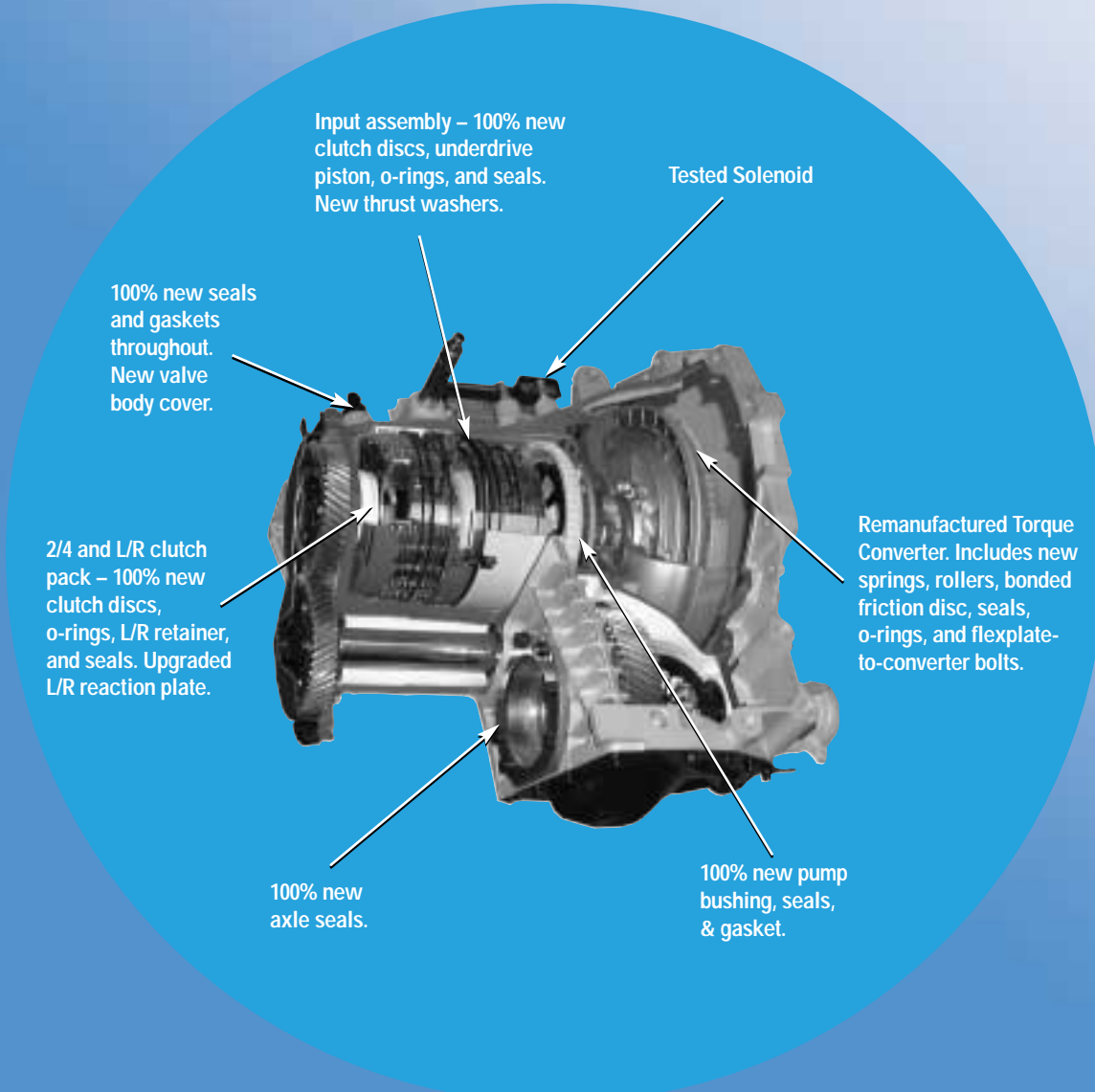
Torque Converters

Valve Bodies

Front Pumps

Transfer Cases





Input assembly – 100% new clutch discs, underdrive piston, o-rings, and seals. New thrust washers.

Tested Solenoid

100% new seals and gaskets throughout. New valve body cover.

2/4 and L/R clutch pack – 100% new clutch discs, o-rings, L/R retainer, and seals. Upgraded L/R reaction plate.

Remanufactured Torque Converter. Includes new springs, rollers, bonded friction disc, seals, o-rings, and flexplate-to-converter bolts.

100% new axle seals.

100% new pump bushing, seals, & gasket.

T R A N S A X L E

The Mopar Difference

ATTENTION INSTALLER:

Prior to installing this transaxle, verify that the TRS connector on both the vehicle and the transaxle match.

For vehicles equipped with a jumper connector between the vehicle harness and the transaxle, it may be necessary to remove jumper for blade type terminal TRS.

Transaxle part numbers with MY 1998 Pin type TRS connectors:

1998	3.3L	R4897851AA
1998	3.8L	R4897852AA
1998	3.8L 4x4	R4897853AA
1998	2.4L	R4897485AA
1998	2.5L	R4897327AA
1998	2.0L	R4897856AB
1998	3.0L	R4897859AB

Transaxle part numbers with MY 1999 Blade type TRS connectors:

1999	2.0L	R5013515AA
1999	3.0L	R5013904AA
1999	3.3L	R5013911AA
1999	3.8L	R5013912AA
1999	3.8L 4x4	R5013914AA
1999	2.4L	R5013915AA
1999	2.5L	R5013916AA
1999	2.0L	R5013917AA

In 1999, Chrysler transaxles switched to a blade style Transmission Range Selector (TRS) terminal. Prior to this change, the TRS was a pin style connector.

NOTE: The easiest way to determine which transaxle is required is by looking at the terminal style of the TRS for the transaxle you are working on.

CAUTION: 1998 and 1999 TRS's are not interchangeable. There is a difference in their sizes (through case diameter).

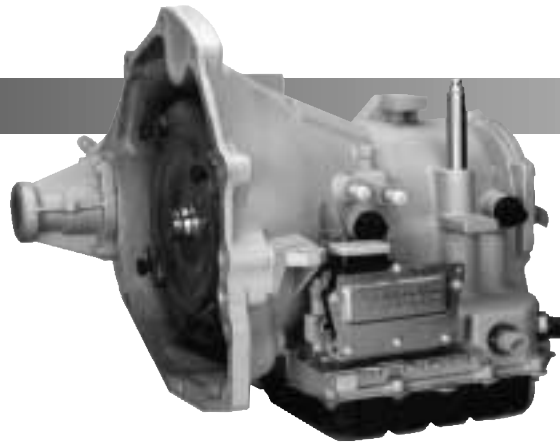
After verifying the type of TRS connector on the transaxle in the vehicle, select the appropriate Reman number from the tables above.

NOTE: If the 1999 vehicle had a carryover 1998 transaxle, the harness jumper must be removed so the vehicle harness will connect with the 1999 transaxle TRS. JA models did not use a harness jumper and a 1999 splice kit would be required.

A U T O M A T I C T R A N S A X L E S

PRODUCT FEATURES:

- New O-rings
- New seals
- New clutches and plates
- Every transaxle is 100% dyno-tested to DaimlerChrysler O.E. specifications, and the torque converter is included



PASSENGER CARS AND MINIVANS

MODEL YEAR	APPLICATION	TRANS.	GEAR RATIO	ENGINE	O.E. PART NO.	REMAN PART NO.
2001	JA, PL, PT Bodies	A604/41TE	2.39	2.4L	05017921AA	R5017921AA
2000	FJ Body	A604/41TE	2.81	2.0L	05016450AA	R5016450AA
	JA Body	A604/41TE	2.69	2.4L	05016448AA	R5016448AA
	JA Body	A604/41TE	2.69	2.5L	05016449AA	R5016449AA
	NS Body	A404/31TH	3.19	2.0L	05014302AA	R5014302AA
	NS Body	A604/41TE	2.49	3.0L	05016305AA	R5016305AA
	NS Body	A604/41TE	2.49	3.3L	05016445AA	R5016445AA
	NS Body	A604/41TE	2.38	3.8L	05016446AA	R5016446AA
	NS Body (4WD)	A604/41TE	2.38	3.8L	05016447AA	R5016447AA
	PL Body	A404/31TH	2.98	2.0L	05014300AB	R5014300AB
1999	FJ Body	A604/41TE	2.69	2.0L	5013515AA	R5013515AA
	FJ, JA, JX Bodies	A604/41TE	2.69	2.5L	5013916AA	R5013916AA
	JA Body	A604/41TE	2.81	2.0L	5013917AA	R5013917AA
	JA, JX Bodies	A604/41TE	2.69	2.4L	5013915AA	R5013915AA
	LH Body	A606/42LE	2.52	3.3L/3.5L	5013067AA	R5013067AA
	LH Body	A606/42LE	2.68	2.7L	5014659AA	R5014931AA
	NS Body	A604/41TE	2.49	3.0L	5013904AA	R5013904AA
	NS Body	A604/41TE	2.38	3.8L	5013912AA	R5013912AA
	NS Body (AWD)	A604/41AE	2.38	3.8L	5013914AA	R5013914AA
	NS, GS Bodies	A604/41TE	2.49	3.3L	5013911AA	R5013911AA
1998	FJ, JA, JX Bodies	A604/41TE	2.69	2.5L	4897327AA	R4897327AA
	JA Body	A604/41TE	2.81	2.0L	4897856AB	R4897856AB
	JA, JX Bodies	A604/41TE	2.69	2.4L	4897485AA	R4897485AA
	LH Body	A606/42LE	2.68	2.7L	4659900	R5014659AC
	LH Body	A606/42LE	2.52	3.3L/3.5L	5003885AB	R5003885AC
	NS Body	A604/41TE	2.49	3.0L	4897859AA	R4897859AB
	NS Body	A604/41TE	2.38	3.8L	4897852AA	R4897852AA
	NS Body (AWD)	A604/41AE	2.38	3.8L	4897853AA	R4897853AA
		NS, GS Bodies	A604/41TE	2.49	3.3L	4897851AA
1998-96	NS Body	A470/31TH	2.98	3.0L	4762876	R4762876AA
	NS Body	A413/31TH	3.19	2.4L	4762875	R4567620AA
	PL Body	A413/31TH	3.19	2.0L	4778716	R4778716AA
1997	JA Body	A604/41TE	2.81	2.0L	4799717/ 4800636	R4883036AA
	NS Body	A604/41TE	2.49	3.0L	4897957AB	R4897957AA
1997-96	JA, JX Bodies	A604/41TE	2.69	2.4L (JA)	4883634	R4883034AA
	JA, JX Bodies	A604/41TE	2.69	2.5L	4883635	R4883035AA
	LH Body	A606/42LE	2.52	3.3L/3.5L	4883636	R4883037AA
	NS Body	A604/41TE	2.69	2.4L (NS)	4883630	R4883030AA
	NS Body	A604/41TE	2.49	3.3L	4883631	R4883031AA
	NS Body	A604/41TE	2.38	3.8L	4883632	R4883032AA
	NS Body (AWD)	A604/41AE	2.38	3.8L	4883033	R4883033AA

Trans.

A U T O M A T I C T R A N S A X L E S

(continued)



PASSENGER CARS AND MINIVANS (CONT.)

MODEL YEAR	APPLICATION	TRANS.	GEAR RATIO	ENGINE	O.E. PART NO.	REMAN PART NO.	
1996	JA Body	A604/41TE	2.69	2.0L	4798961	R4798961AA	
	NS, GS Bodies	A604/41TE	2.49 (w/o TRS)	3.3L	4883569	R4883569AA	
	NS Body	A604/41TE	2.38 (w/o TRS)	3.8L	4883568	R4883568AA	
	NS Body (AWD)	A604/41AE	2.49 (w/o TRS)	3.3L	4797844	R4797844AA	
	PL Body	A413/31TH	2.98	2.0L	4778715	R4778715AA	
1995	AA Body	A413/31TH	2.98	2.5L LU	4773066	R4773066AA	
	AS Body	A413/31TH	3.19	2.5L	4773067	R4773067AA	
	AS Body (AWD)	A604/41AE	2.38	3.3L/3.8L	4659907	R4797830AA	
	AS Body	A604/41TE	2.38	3.8L	4659906	R4797829AA	
	AS Body	A604/41TE	2.49	3.0L	4659904	R4797826AA	
	AA, AS Bodies	A470/31TH	2.98	3.0L	4773351	R4773351AA	
	AS, ES Bodies (AWD)	A604/41AE	2.49	3.3L	4659777	R4797828AA	
	AS, ES Bodies	A604/41TE	2.49	3.3L	4659905	R4797827AA	
	FJ Body	A604/41TE	2.69	2.0L	4883563AA	R4797839AA	
	FJ, JA Bodies	A604/41TE	2.69	2.5L	4883565AA	R4797837AA	
	JA Body	A604/41TE	2.69	2.4L	4883564AB	R4883564AA	
	PL Body	A413/31TH	2.98	2.0L	4773070	R4773070AA	
	1995-93	LH Body	A606/42LE	2.52	3.3L/3.5L	4762922	R4797840AA
	1994-93	AJ, AS Bodies	A604/41TE	2.49	3.0L	4740827	R4740827AA
AS Body (AWD)		A604/41AE	2.49	3.3L	4659074	R4659074AA	
AS Body		A604/41TE	2.38	3.8L	4659906	R4659075AA	
AY Body		A604/41TE	2.2	3.8L	4740826	R4740826AA	
AS, ES Bodies		A604/41TE	2.49	3.3L	4740828	R4740828AA	
1994-91	AS Body (AWD)	A604/41AE	2.38	3.3L/3.8L	4659076	R4659076AA	
1994-90	A, G, J, P Bodies	A413/31TH	3.02	2.5L Turbo	4567048	R4567048AA	
1994-89	AS Body	A413/30TH	3.22	2.5L	4773067	R4567055AA	
1994-88	AA Body	A470/31TH	2.78	3.0L	4626745	R4626745AA	
1994-87	AA Body	A470/31TH	3.02	3.0L	4776351	R4567061AA	
	AA, AP Bodies	A413/31TH	3.02	2.2L/2.5L	4773066	R4567059AA	
1992-91	AC, AS Bodies	A604/41TE	2.2	3.8L	4741746	R4741746AA	
	AA, AC Bodies	A604/41TE	2.49	3.0L	4741747	R4741747AA	
	AC, AS Bodies	A604/41TE	2.49	3.3L	4741748	R4741748AA	
1991	ZF Premier/Monaco	-	-	2.5L/3.0L	4567002	R4567002	
1991-88	K, L Bodies	A404/30TH	2.78	2.2L	4531085	R4531085AA	
1990	AA, AC Bodies	A604/41TE	2.38	3.0L	4741743	R4741743AA	
	AC, AS Bodies	A604/41TE	2.38	3.3L	4741744	R4741744AA	
1990-88	ZF Premier/Monaco	-	-	2.5L/3.0L	4531134	R4549230	
1989	AA, AC, AG, AJ, AY Bodies	A604/41TE	2.38	3.0L	4761821	R4761821AA	
1989-87	AS Body	A404/30TH	3.22	2.2L	4531087	R4531087AA	
	E, G, H, J, K, P Bodies	A404/31TH	3.02	2.2L/2.5L Turbo	4531099	R4531099AA	
1987	AS Body	A470/31TH	3.22	2.6L	4471490	R4471490AA	
	J, K, P Bodies	A404/30TH	2.78	2.2L	4471483	R4471483AA	
1986	AS Body	A470/31TH	3.22	2.6L HD	4446784	R4446784AA	
	K, L Bodies	A404/30TH	2.78	2.2L	4446779	R4446779AA	
	E, G, H, K Bodies	A404/30TH	3.02	2.2L	4446780	R4446780AA	
	K, P Bodies	A404/31TH	3.02	2.2L Turbo	4446782	R4446782AA	
1985-84	D, E, J, P, T, V Bodies	A470/31TH	3.02	2.6L	4329554	R4329554AA	
	G, J Bodies	A413/31TH	3.02	2.2L Turbo	4329538	R4412593AA	
1985-83	D, P Bodies	A470/31TH	3.22	2.6L	4329565	R4412595AA	
	C, D, E, J, M, V, Z Bodies	A413/30TH	3.22	2.2L	4329506	R4412591AA	
1985-82	H, K Bodies	A413/30TH	3.22	2.2L	4329546	R4412592AA	
1985-81	D, M, P, Z Bodies	A413/30TH	2.78	2.2L	4207905	R4412590AA	
1983-81	All except E, J Bodies	A470/31TH	2.78	2.6L	4269696	R4412596AA	

TRANS.

A U T O M A T I C T R A N S A X L E S

(continued)



IMPORT AND DIAMOND STAR PASSENGER CARS

MODEL YEAR	APPLICATION	TRANS.	ENGINE	O.E. PART NO.	REMAN PART NO.
1995-93	Vista/Summit AWD	W4A32-1-UNQ	2.4L	MD971791	R973740M
1994	Colt/Summit	F4A22-2-MQF1	1.8L	MD972046	R972046M
	Stealth	F4A33-1-MNQ1	3.0L	MD971831	R971831M
	Stealth RT	F4A33-1-MNQ2	3.0L	MD971833	R971833M
	Talon/Laser	F4A22-2-MPF5	1.8L	MD972108	R972108M
	Talon/Laser	F4A22-2-MPF6	2.0L	MD972109	R972109M
1994-93	Colt/Summit	F3A21-2-ER18	1.5L	MD971061	R971061M
	Vista	F4A23-2-LNQ	2.4L	MD971789	R971789M
	Vista	F4A22-2-UNF1	1.8L	MD971783	R971783M
	Vista AWD	W4A32-1-UNN	2.4L	MD970237	R973734M
1993	Colt/Summit	F4A22-2-MRF3	1.8L	MD971630	R971630M
	Stealth RT	F4A33-1-MNP8	3.0L	MD971612	R971612M
	Stealth	F4A33-1-MNP7	3.0L	MD971611	R971611M
	Talon/Laser	F4A22-2-MPE	1.8L	MD971510	R971510M
	Talon/Laser	F4A22-2-MPE1	2.0L	MD971511	R971511M
1992	Vista	F4A23-2-LNN	2.4L	MD970286	R970286M
	Vista AWD	F4A33-1-UP61	2.4L	MD996357	R996357M
	Stealth RT	F4A33-1-MNP2	3.0L	MD970512	R970512M
	Stealth	F4A33-1-MNP1	3.0L	MD970517	R970517M
	Vista	F4A22-2-UND	1.8L	MD970284	R970284M
1992-91	Colt/Summit	F4A21-2-ERA4	1.5L	MD996346	R996346M
	Colt/Summit	F4A21-2-MRD1	1.5L	MD996319	R996319M
	Talon/Laser	F4A22-2-MPD	1.8L	MD996311	R996311M
	Talon/Laser	F4A22-2-MPD1	2.0L	MD996312	R996312M
	Talon/Laser AWD	W4A33-1-UP6	2.0L	MD996333	R973784M
1991	Stealth	F4A33-1-MNN1	3.0L	MD996329	R996329M
	Stealth RT	F4A33-1-MNN2	3.0L	MD996330	R996330M
1990	Talon/Laser (built after 5/90)	F4A22-2-MPA1	2.0L	MD996234	R996234M
	Talon/Laser	F4A22-2-MPA	1.8L	MD996233	R996233M
	Colt/Summit	F3421-2-ERA	1.5L	MD996220	R996220M

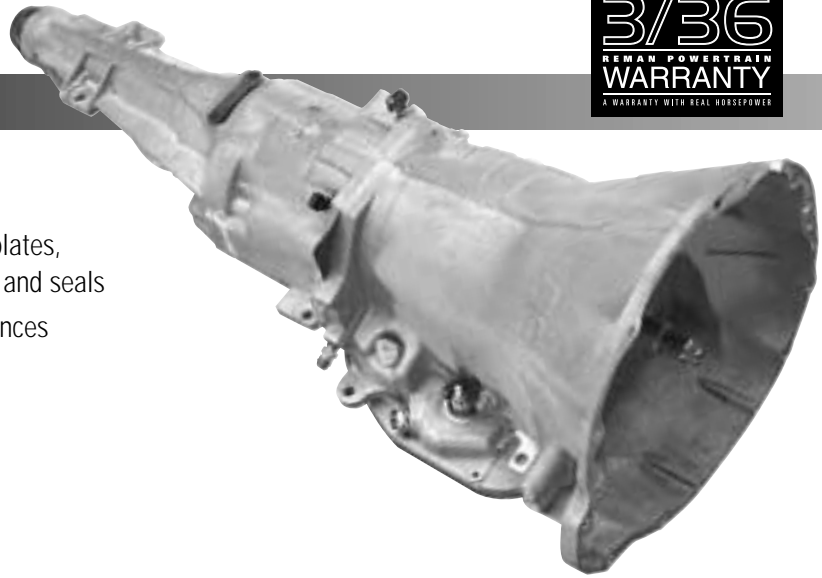
Trans.

RWD AUTOMATIC TRANSMISSION



PRODUCT FEATURES:

- Complete cleaning and inspection of cores during teardown
- New components include all friction plates, pressure solenoids, gaskets, bearings and seals
- Performance specifications and tolerances comply with O.E. standards
- Torque converter included



TRUCKS

MODEL YEAR	APPLICATION	TRANS.	ENGINE	O.E. PART NO.	REMAN PART NO.
1999	AN Body 4x2	42RE (DGK)	3.9L	5013025AA	R5013025AB
	AN, DN Body 4x2	44RE (DGW)	5.2L	5013036AA	R5013036AB
	AN, DN Body 4x4	42RE (DGK)	3.9L	5013031AA	R5013031AB
	AN, DN Body 4x4	44RE (DGW)	5.2L	5013039AA	R5013039AB
1999-98	AB, BE, BR Bodies 4x2	46RE	5.2L	5003026AA	R5003026AA
	AB, BE, BR Bodies 4x4	46RE	5.2L	5003029AA	R5003029AA
	AN, DN Bodies 4x2	46RE	5.9L	5003344AA	R5003344AA
	AN, DN Bodies 4x4	46RE	5.9L	5003345AA	R5003345AA
	AB, BE, BR, BT Bodies 4x2	46RE	5.9L	5003027AA	R5003027AA
	BE, BR Body 4x2	47RE	8.0L	5013629AA	R5013629AA
	BE, BR Body 4x4	47RE	8.0L	5013631AA	R5013631AA
BE, BR, BT Bodies 4x4	46RE	5.9L	5003028AA	R5003028AA	
1998	AN Body 4x2	42RE	3.9L	5003023AC	R5003023AC
	AN, DN Bodies 4x4	42RE	3.9L	5003346AC	R5003346AC
	AN, DN Bodies 4x2	42RE	5.2L	5003347AC	R5003347AC
	AN, DN Bodies 4x4	44RE	5.2L	5003348AC	R5003348AC
1997	AN Body 4x2	44RE	5.2L	52118554	R2118554AA
	AN Body 4x4	44RE	5.2L	52119555	R2119555AA
1997-96	AN, BR Body 4x2	42RE	3.9L	52118421/4883370AA	R2119533AA
	AN Body 4x4	42RE	3.9L	52119534	R2119534AA
	AB Body 4x2	46RE	5.2L LU	4864241	R4864241AA
	AB Body 4x2	46RE	5.9L LU	4864242	R4864242AA
	AN Body 4x2	46RE	5.2L LU	4882500	R4882500AA
	AN Body 4x4	46RE	5.2L LU	4864250	R4864250AA

Trans.

RWD AUTOMATIC TRANSMISSIONS

(continued)



TRUCKS (CONT.)

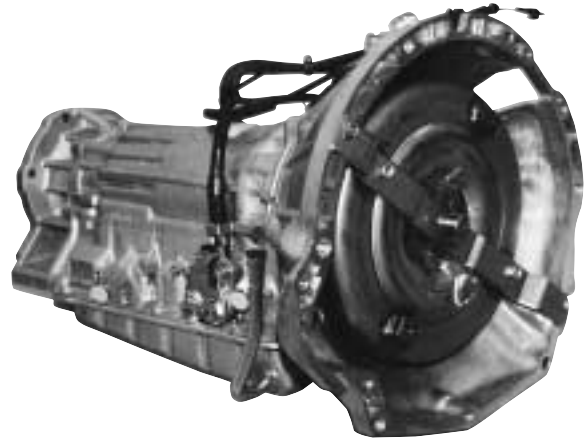
MODEL YEAR	APPLICATION	TRANS.	ENGINE	O.E. PART NO.	REMAN PART NO.
1997-96	BR Body 4x4	46RE	5.2L LU	4882504	R4882504AA
	BR Body 4x4	46RE	5.9L LU	4882494	R4882494AA
	BR Body 4x2	47RE	8.0L	4883743AA	R4883743AA
	BR Body 4x4	47RE	8.0L	4883745AA	R4883745AA
1997-94	AB Body	36RH	5.2L	4883729	R4883729AA*
1995	AN Body 4x4	42RH	3.9L	52118351	R2118351AA
	AN, BR Body 4x2	42RH	3.9L	52118350	R2118350AA
1995-94	AB, BR Body 4x2	46RH	3.9L LU	52118322	R2118322AA
	AB, BR Body 4x2	46RH	5.2L LU	52118323	R2118323AA
	AB, BR Body 4x2	46RH	5.9L LU	52118328	R2118328AA
	AN Body 4x2	46RH	5.2L LU	52118324	R2118324AA
	AN Body 4x4	46RH	5.2L LU	52118326	R2118326AA
	BR Body 4x4	46RH	5.2L LU	52118325	R2118325AA
	BR Body 4x4	46RH	5.9L LU	52118329	R2118329AA
	BR Body 4x2	47RH	8.0L	52119159	R2119159
	BR Body 4x4	47RH	8.0L	52119160	R2119160
	1994	AN, AD Body 4x2	42RH	3.9L	52118015
AN Body 4x4		42RH	3.9L	52118016	R2118016AA
1993	AB, AD Body 4x2	46RH	5.2L LU	52118184	R2118184AA
	AD Body 4x2	46RH	5.9L LU	52118721	R2118721AA
	AN Body 4x2	46RH	5.2L LU	52117684	R2117684AA
	AN Body 4x4	46RH	5.2L LU	52117685	R2117685AA
1993-92	AN Body 4x4	42RH	3.9L	52117683	R2118726AA
	AN, AD Body 4x2	42RH	3.9L	52117679	R2118725AA
1992	AB, AD Body 4x2	46RH	5.2L LU	53008148	R3008148AA
	AB, AD Body 4x2	46RH	5.9L NLU	52118230	R2118230AA
	AN Body 4x4	46RH	5.2L LU	53008143	R3008143AA
1991	AN Body 4x4	42RH	5.2L	53009259	R3009259AA
1991-90	AB, AD Body 4x2	46RH	5.2L NLU	53008101	R3008101AA
1991-89	AN Body 4x4	42RH	3.9L	53009267	R4728893AA
	AN, AD Body 4x2	42RH	3.9L	53009256	R4728892AA
	AN, AD Body 4x2	42RH	5.2L	53009261	R3009261AA

*1995-94 applications, order flex plate 52118255 and replace flywheel to crankshaft bolts p/n 1949424, quantity 6.

A U T O M A T I C T R A N S M I S S I O N S

PRODUCT FEATURES:

- All remanufactured transmissions are disassembled and thoroughly cleaned
- Each O-ring, gasket and seal is replaced with O.E. replacement parts
- Individual parts are carefully inspected to ensure that they meet O.E. standards
- Any components that fail to meet O.E. standards are replaced with O.E. replacement parts
- Each transmission is tested to O.E. specifications on a computer-controlled dynamometer and all remanufactured transmissions incorporate the latest product updates



JEEP®

MODEL YEAR	APPLICATION	TRANS.	ENGINE	O.E. PART NO.	REMAN PART NO.
1999	WJ Body 4x2	42RE (DGK)	4.0L	5012459AB	R5012459AB
	WJ Body 4x4	42RE (DGK)	4.0L	5012464AA	R5012464AA
1999-98	ZJ Body 4x4	46RE	5.9L	5003192AB	R5003192AB
1998	ZJ Body 4x4	44RE	5.2L	5003190AA	R5003190AC
	ZJ Body 4x2	42RE	4.0L	5003188AC	R5003188AC
	ZJ Body 4x4	42RE	4.0L	5003189AC	R5003189AC
	ZJ Body 4x2	44RE	5.2L	5003191AA	R5003191AC
1997	XJ Body 4WD	AW-4	4.0L	52104210	R2104210
	XJ Body 2WD	AW-4	4.0L	52104180	R2104180
	ZJ Body 4x2	44RE	5.2L	52119287	R2119287AA
1997-96	ZJ Body 4x2	42RE	4.0L	52119530	R2119530AA
	ZJ Body 4x4	42RE	4.0L	52119531	R2119531AA
	ZJ Body 4x4	44RE	5.2L	52119532	R2119532AA
1996-94	XJ Body 4WD	AW-4	4.0L	4810179	JR007998
	XJ Body 2WD	AW-4	4.0L	4810178	JR007997
1995	ZJ Body 4x2	42RE	4.0L	52118353	R2118353AA
	ZJ Body 4x4	42RE	4.0L	52118354	R2118354AA
1995-94	ZJ Body 4x4	46RH	5.2L LU	52118327	R2118327AA
1994-93	ZJ Body 4x2	42RE	4.0L	52118316	R2119027AA
	ZJ Body 4x4	42RE	4.0L	52118317	R2118028AA
1993	ZJ Body 4x4	46RH	5.2L LU	53009204	R3009204AA
1993-91	MJ, XJ Bodies 2WD	AW-4	4.0L	53007997	JR007997
	MJ, XJ Bodies 4WD	AW-4	4.0L	53007998	JR007998
1990-87	MJ, XJ Bodies 2WD	AW-4	4.0L	53002840	JR775142
	MJ, XJ Bodies 4WD	AW-4	2.5L	53003811	JR775141
	MJ, XJ Bodies 4WD	AW-4	4.0L	53002839	JR775143

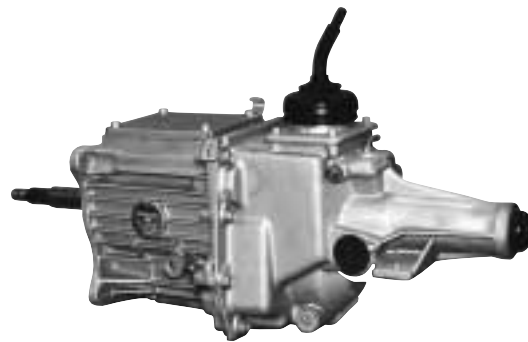
TRANS.

M A N U A L T R A N S A X L E S



PASSENGER CARS

MODEL YEAR	APPLICATION	TRANS.	ENGINE	O.E. PART NO.	REMAN PART NO.
1998-96	JX Body	A578-FWD	2.0L	4796408	R4796408
1998-95	JA Body	A578-FWD	2.0L	4761716	R4761716
	PL Body	A578-FWD	2.0L	4773388	R4773388
	PL Body	A578-FWD	2.0L	4773389	R4773389
1997-95	FJ Body	A578-FWD	2.0L	4670890/4741473	R4741473



M A N U A L T R A N S M I S S I O N S

IMPORT PASSENGER CARS

MODEL YEAR	APPLICATION	ENGINE	O.E. PART NO.	REMAN PART NO.
1996-94	Getrag 6-speed, Stealth	3.0L - AWD	MB896324	R896324M
1993-92	Getrag 5-speed, Stealth (built after 10/3/91)	3.0L - AWD	MB936583/MR111883	R936583M
1992-90	Getrag 5-speed, Stealth	3.0L - AWD	MB811031	R811031M

TRUCKS & VANS

MODEL YEAR	APPLICATION	TRANS.	ENGINE	O.E. PART NO.	REMAN PART NO.
1993-92	AN Body	2WD	All	52108340	R2108340
1993-88	AD Body	2WD	All	4338329/4505343	R4713282
				53009348/52107518 4713282	
1991-87	AN Body	4WD	All	4338308/4505344 53006335/52107519	R2107519
1991-86	AN Body	2WD	All	4338307/4505345	R4713280
				4713280/52107520 53009346	

Note: Refer to the Diesel product section for diesel applications.

Trans.

T O R Q U E C O N V E R T E R S



PRODUCT FEATURES:

- Remanufactured to the most current design levels - meets O.E. specifications
- Remanufactured to a level high enough to qualify for warranty replacement
- Remanufactured with O.E. replacement components, including Vector balancing on lock-up style units



PASSENGER CARS, MINIVANS, TRUCKS AND VANS

MODEL YEAR	APPLICATION	ENGINE	TRANS.	LOCK UP	O.E. PART NO.	REMAN PART NO.
10"						
2000-98	LH Body	2.7L, 3.2L, 3.5L	42LE	Yes	5003816AC	R5003816AC*
2000-98	NS Body	3.3L, 3.8L	41TE	Yes	4897483AA	R4897483AA*
1997-93	LH Body	3.3L, 3.5L	42LE	Yes	4626644	R4626644
1997-91	All (except LH Body)	3.3L, 3.8L	41TE	Yes	4797476	R4797476
9 1/2"						
2000-96	All	3.0L	A413	Yes	4797544	R4797544AB*
2000-95	All	2.4L	A413,41TE	Yes	4567956AB	R4778031AB*
1999-94	JA, PL Bodies	2.0L SOHC	A413	Yes	4796384	R4796384AB*
1999-94	AN Body	2.5L	30RH	Yes	4736388AB	R4736388AB*
1999-94	P1, J2 Bodies	2.0L, 2.4L	A413	No	4752425AB	R4752425AB*
1995-93	All	3.0L	A413	Yes	4746840	R4797544AB
1995-93	AA, AS Bodies	2.5L	A413	Yes	4736479	R4778718
1992-91	All	3.0L	A413	Yes	5280002	R4797544AB
1992-91	All (non-turbo)	2.2L, 2.5L	A413	Yes	5280002	R4797544
1992-90	D-50	3.0L	A500	Yes	4431146	R4720537
1992-86	All	2.2L, 2.5L	A410	No	4471967	R4713160
1990	All	3.3L	A604	Yes	4636923	R4636923
1990-89	All	3.0L	A604	Yes	4636922	R4636922
1990-88	All	3.0L	A413	Yes	4505520	R4797544AB
1990-88	All (non-turbo)	2.2L, 2.5L	A413	Yes	4419626	R4797544
1990-88	All	2.2L, 2.5L	A413	Yes	4471965	R4797544
1988-86	All	2.2L, 2.5L, 2.6L	A397	No	4419626	R4713159
1985-78	All	2.2L Turbo	A397	No	4293068	R4269970
1985-78	All	2.2L, 2.5L, 2.6L	A397	No	4293058	R5222597

*Approved for new vehicle warranty usage.

Trans.

TORQUE CONVERTERS

(continued)



TRUCKS

MODEL YEAR	APPLICATION	ENGINE	TRANS.	LOCK UP	O.E. PART NO.	REMAN PART NO.
12.2"						
2001-94	BR, BE Bodies	8.0L	47RE	Yes	52118506	R2118506*
10 3/4"						
2001-99	AN, DN Bodies	4.7L	45RFE		4736582	R4736582*
2001-96	AB, AB, BE, BR Bodies	5.2L	46RE	Yes	52119785	R4736595*
2001-96	AN, AB, BE, BR, DN Bodies	5.9L	46RE	Yes	52119787	R4736591*
2000-96	AN, DN Bodies	5.2L	44RE	Yes	4736549	R4736549*
1999-96	AB, BR, AN Bodies	3.9L	42RE	Yes	52119781	R4736593*
1998-96	AB Body	5.2L	36RH	No	4736546	R4736546*
1995-94	AB, AD, AN Bodies	3.9L	32RH, 42RH	Yes	52117853	R2117853
1995-93	AB, AD Bodies	5.9L	A518, 46RH	Yes	52117643	R2117643
1995-92	AB, AD, AN Bodies	3.9L	A518, 46RH	Yes	52117875	R2117875
	AB, AN Bodies	3.9L, 5.2L	A727, 36RH	No	52117863	R2117863
	AB, AD, AN Bodies	5.2L	A518, 44RH	Yes	52117879	R2117879
	AB, AD, AN Bodies	3.9L	A518, 44RH	Yes	52117629	R2117875
1993	AD, AN Bodies	3.9L	A500, A999	Yes	52117871	R2117871
	AB, AD, AN Bodies	3.9L	A500	No	52117873	R2117873
1993-92	AB, AD Bodies	5.2L	A518, A727	No	52117863	R2117863
1992-90	AD Body	5.2L	A500, A999	Yes	4728899	R4728899
1992-87	AB, AN Bodies	3.9L	A500, A999	Yes	52117627	R2117627
1992-84	AB, AD Bodies	5.2L	A518, A727	No	52117517	R2117517
	AB, AD Bodies	5.9L	A727	No	4431121	R4431121
1989-88	AN (Shelby) Body	5.2L	A727	Yes	4431119	R2117627
1989-82	AB, AD Bodies	5.2L	A500, A999	Yes	4431113	R4431113
1989-79	AB, AD Bodies	5.2L	A727	Yes	4293063	R4431140
1987-78	AB, AD Bodies	3.7L	A904	Yes	4419605	R4431115
1986-80	AB, AD Bodies	3.7L	A727	Yes	4293065	R4431125
1986-78	AB, AD Bodies	5.9L	A727	No	4293055	R4431127

Note: Refer to the Diesel product section for diesel applications.

JEEP®

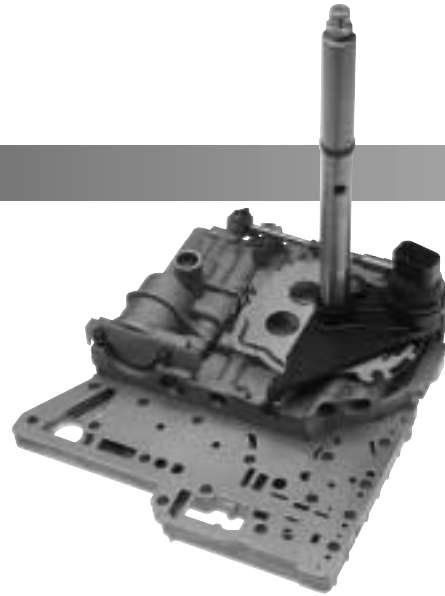
MODEL YEAR	APPLICATION	ENGINE	TRANS.	LOCK UP	O.E. PART NO.	REMAN PART NO.
9 1/2"						
1999-94	TJ, XJ Bodies	2.5L	30RH	Yes	4736388AB	R4736388AB*
10 3/4"						
2001-99	WJ Body	4.7L	45RFE	Yes	4736582	R4736582*
1999-96	TJ, WJ, ZJ Bodies	4.0L	42RE	Yes	4736596	R4736596*
1998-96	ZJ Body	5.2L, 5.9L	44RE, 46RH	Yes	52119792/04736599	R4736599*
1995-93	YJ, ZJ Bodies	4.0L	32RH, 42RE	Yes	52117703	R2117703
1995	ZJ Body	5.2L	46RH	Yes	52117879	R2117879
1993	All Jeep	5.9L	A727	No	4431180	R4740325
1993	YJ Body	4.0L	32RH	No	52117877	R2117877
1992-89	YJ Body	4.0L	32RH	No	52117749	R2117749

Trans.

V A L V E B O D I E S

PRODUCT FEATURES:

- Built to the latest engineering level
- 100% functional testing performed on each unit
- Kit comes complete with trans. filter and gasket
- New check valve, seal



PASSENGER CARS

MODEL YEAR	TYPE	DESCRIPTION	O.E. PART NO.	REMAN PART NO.
1998-96	A604/41TE	TRS	4864781	R4864781*
1998-93	A606/42LE	All	4864780	R4864780*
1996-95	A604/41TE	Non TRS	4863881	R4863881
1994-89	A604/41TE	Partial Lock Up	4659085	R4659085

*Approved for new vehicle warranty usage.

F R O N T P U M P S

PRODUCT FEATURES:

- 100% functional testing performed on each unit
- Castings are fully requalified to O.E. specs
- 100% replacement of front pump bushing
- Built to the latest engineering level
- New bushing, O-Ring, seal and sealing ring, gasket and input shaft ring



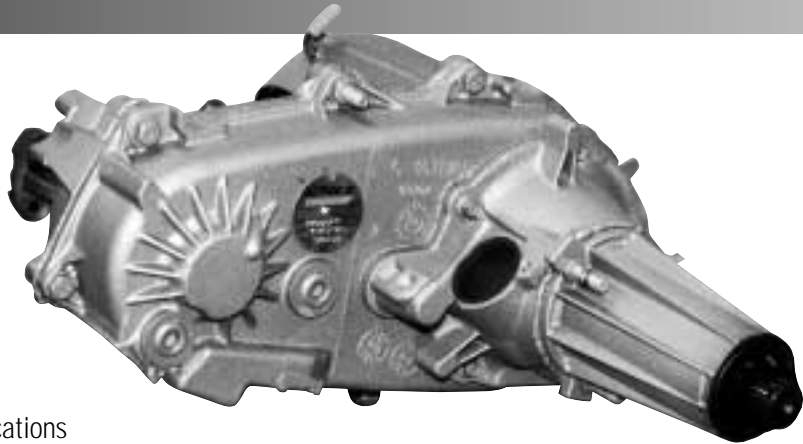
PASSENGER CARS

MODEL YEAR	TYPE	O.E. PART NO.	REMAN PART NO.
2000-98	A604/41TE	4567869AB	R4567869AB*
	A606/42LE	5013050AA	R5013050AA*
1999-86	A404/31TH	4412525	R4412525*
1997-93	A606/42LE	4741659	R4741659
1997-89	A604/41TE	4567869	R4567869

*Approved for new vehicle warranty usage.

PRODUCT FEATURES:

- All remanufactured transfer cases are disassembled and thoroughly cleaned
- Each O-ring, gasket and seal is replaced with O.E. replacement parts
- Individual parts are carefully inspected to ensure that they meet O.E. standards
- Any components that fail to meet O.E. standards are replaced with O.E. replacement parts
- Each transfer case is tested to O.E. specifications on a computer-controlled dynamometer and all remanufactured transfer cases incorporate the latest product updates



TRUCKS

MODEL YEAR	VEHICLE APPLICATION	TRANS.	ENGINE	MODEL	O.E. PART NO.	REMAN PART NO.
1999-98	AN, DN Bodies	AT	3.9L	231	52105316	R2105316
	AN, DN Bodies 4x4	AT	5.2L, 5.9L	231-HD	52105674AA	R2105674AA
	BR, BE Bodies	AT	5.2L, 5.9L, 8.0L	241-HD	52105028	R2105028
	BR, BE Bodies	AT	All	241	52105025	R2105025
	BR, BE Bodies	MT	5.9L, 8.0L	241-HD	52105027	R2105027
	BR, BE Bodies	MT	5.2L, 5.9L	241	52105023	R2105023
1998	AN Body	All	5.2L, 5.9L	242-HD	52105332 52105332AD	R2105332
1997-96	AN Body	AT	3.9L	231	52098497 52105094 52105364 52105364AB	R2105364
1997-96	AN Body	AT	5.2L	231	52098498 52105095 52105365 52105365AB	R2105365
1997-96	BR Body	AT	All	241-HD	52105315	R2105315
1997-96	BR Body	AT	All	241	52098151 52105369	R2105369
1997-96	BR Body	AT	5.2L, 5.9L	231-HD	52098357 52105367	R2105367

Note: Refer to the Diesel product section for diesel applications.

T R A N S F E R C A S E S

(continued)

TRUCKS (CONT.)

MODEL YEAR	VEHICLE APPLICATION	TRANS.	ENGINE	MODEL	O.E. PART NO.	REMAN PART NO.
1997-96	BR Body	MT	All	241-HD	52105314	R2105314
1997-96	BR Body	MT	All	241-HD	52105513	R2105513
1997-95	BR Body	MT	All	241	52098503 52098675 52105335 52105368	R2105368
1997-94	BR Body	All	5.2L, 5.9L	231-HD	52097521 52098314 52098502 52105366	R2105366
1997-94	BR Body	MT	All	241	52098504 52098530 52098676 52099035 52105336 52105370	R2105370
1995-93	AN Body	All	3.9L, 5.2L	231-HD	52098023 52098024 52098542 52098543	R2098543
1992-89	BR Body	All	All Except Diesel	241	53006100 53008205	R3008205
1992-88	AN Body	All	3.9L, 5.2L	231	52097606 52097607 53005467 53006099 53007979 53008206	R2097607

Note: Refer to the Diesel product section for diesel applications.

T R A N S F E R C A S E S

(continued)

JEEP®

MODEL YEAR	VEHICLE APPLICATION	TRANS.	ENGINE	MODEL	O.E. PART NO.	REMAN PART NO.
1998-96	ZJ Body	AT	5.2L	249	52098267	R2098916
	XJ Body	AT	4.0L	242	52098899	R2098899
	XJ Body	AT	4.0L	242	52111083	R2111083
	ZJ Body	AT	4.0L	242	52098383/52098917	R2098917
	XJ, TJ Bodies	MT	2.5L	231	52098471/52099310/ 52099364	R2099310
	XJ, TJ Bodies	AT	2.5L	231	52098473/52099211	R2099211
	ZG Body	All	4.0L	231	52098469/52099120	R2099120
1996	XJ Body	AT	4.0L	242	52098385	R2098385
	ZJ Body	AT	4.0L	242	52098384	R2098384
1995	ZJ Body	AT	5.2L	249	52098682	R2098682
1995-94	XJ Body	AT	2.5L	231	52098048/52095316	R2098316
1995-93	XJ Body	AT	4.0L	231	52097890/52098487	R2098487
	YJ Body	MT	2.5L	231	52097894/52098361	R2098361
	YJ Body	MT	4.0L	231	52097695/52098362	R2098362
	ZJ Body	AT	4.0L	231	52097526/52098319	R2098319
	XJ Body	AT	4.0L	242	52098045/52098317	R2098317
	XJ Body	AT	4.0L	242	52098046/52098315 53007856	R2098315
	ZJ Body	AT	4.0L	249	52097530	R2098532
	ZJ Body	AT	4.0L	242	52097528/52098531	R2098531
1995-92	ZJ Body	All	4.0L	231	52097534/52097696 52098318	R2098318
1995-91	YJ Body	AT	2.5L, 4.0L	231	52097893/52098563	R2098563
1994-93	ZJ Body	AT	4.0L, 5.2L	249	52097529	R2098539
1993-89	YJ Body	MT	2.5L	231	53006095/53008211	R3008211
	YJ Body	MT	4.0L	231	53005382/53006096 53008212	R3008212
1992-89	MJ, XJ Bodies	MT	4.0L	231	53005355/53006093 53008209	R3008209
1992-87	MJ, XJ Bodies	MT	2.1L, 2.5L	231	53003927/53006091 53008207	R3008207
1990-87	MJ, XJ Bodies	MT	4.0L	231	53004301/53006092 53008208	R3008208
	YJ Body	AT	2.5L	231	53004271/53006094 53008210	R3008210

Note: Refer to the Diesel product section for diesel applications.

Trans.

DIESEL PRODUCTS

Diesel Engine
Assemblies

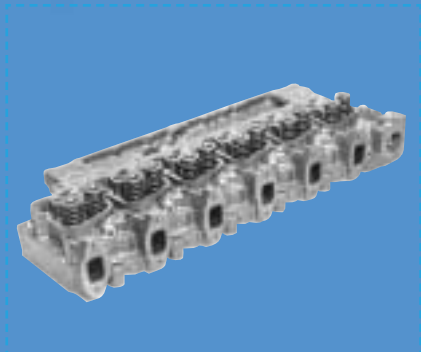
Engine Components
and Products



Mopar Remanufactured Diesel Product Offering

Top Quality Diesel Remanufactured Parts Mean Durable Diesel Engines For Your Customers

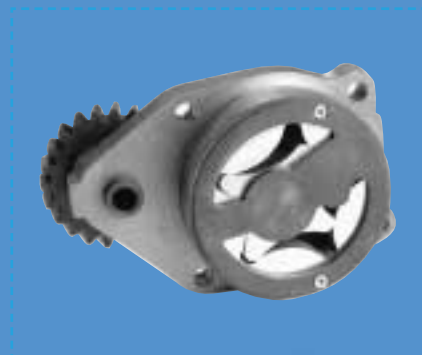
When most people look at a diesel engine, they see the whole engine. Mopar Remanufacturing, however, sees the hundreds of parts that are necessary to provide reliable power. In addition, Mopar puts a great deal of effort into remanufacturing an extremely wide variety of hard-to-find parts, so we can provide a replacement diesel engine for most vehicles. Here are some examples of key diesel engine components that get special attention from Mopar Remanufacturing.



Cylinder Head Assembly — Mopar will still remanufacture the cylinder heads when a complete diesel engine replacement isn't necessary. Mopar Diesel In-Line 6 cylinder heads use O.E. components and meet strict O.E. engineering standards. In addition, replacing only the cylinder heads when necessary saves the customer the cost of an entire engine and saves the dealer labor time.



Water Pump Assemblies — Basic operations include pre-inspection, salvage, assembly, test and packaging. Since the seals, bearings, and impeller are replaced 100%, the major focus of the remanufacturing operation centers on the body and pulley.

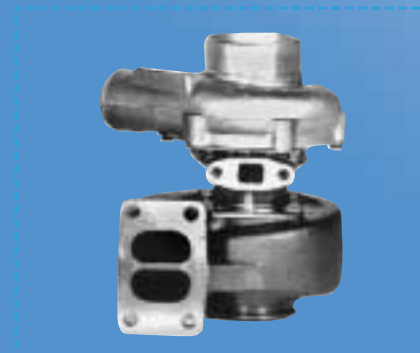


Oil Pumps — The oil pump supplies lubricating oil to all internal diesel engine parts to reduce friction and lower operating temperatures. Since it is critical that the pump rotates freely, all burrs are removed from the gears and shafts.

Torque checks are also made to ensure minimal rotational interference. All pumps undergo 100% functional testing for high and low pressure, and all bushings, bearings and gaskets are replaced with brand-new parts.



Connecting Rods — The connecting rod is a key component that transfers power from the piston to the crankshaft, which, in turn, drives the diesel engine. These rods are inspected to detect potentially damaging cracks and to ensure a superfine finish on the wear surfaces. All rods are then checked with magnetic particle testing equipment, and each rod is torqued and rehoned to original specifications.



Turbochargers — One of the fastest growing parts lines, more and more customers are discovering the advantages of a remanufactured diesel turbocharger. State-of-the-art processes are used to produce high quality, reliable turbos. This technology includes laser micrometers, CNC lathes and delicate balancing machines. When any turbo is in operation, the turbine wheel may reach speeds up to 100,000 rpm, so holding tight tolerances is critical to proper turbo performance.

CUMMINS DIESEL ENGINES INFORMATION

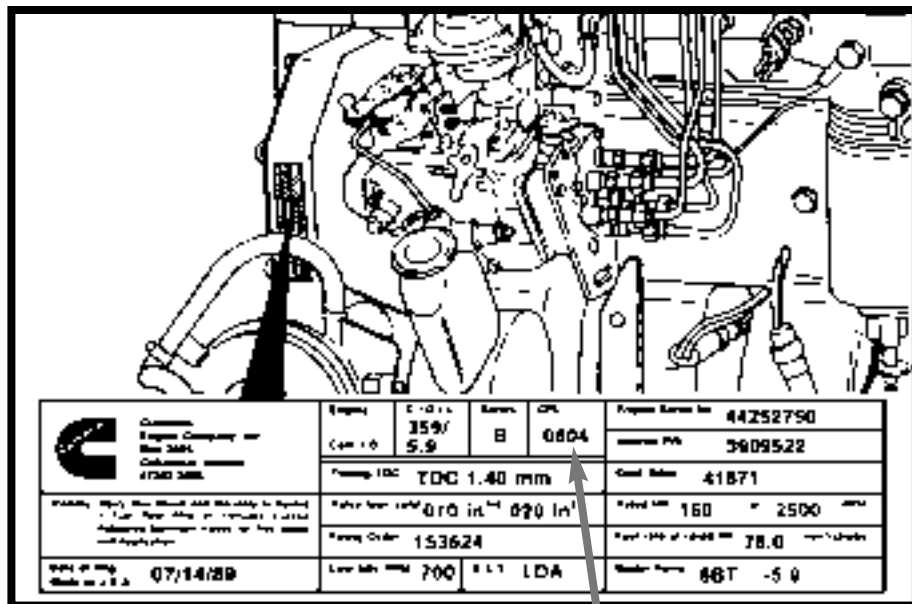
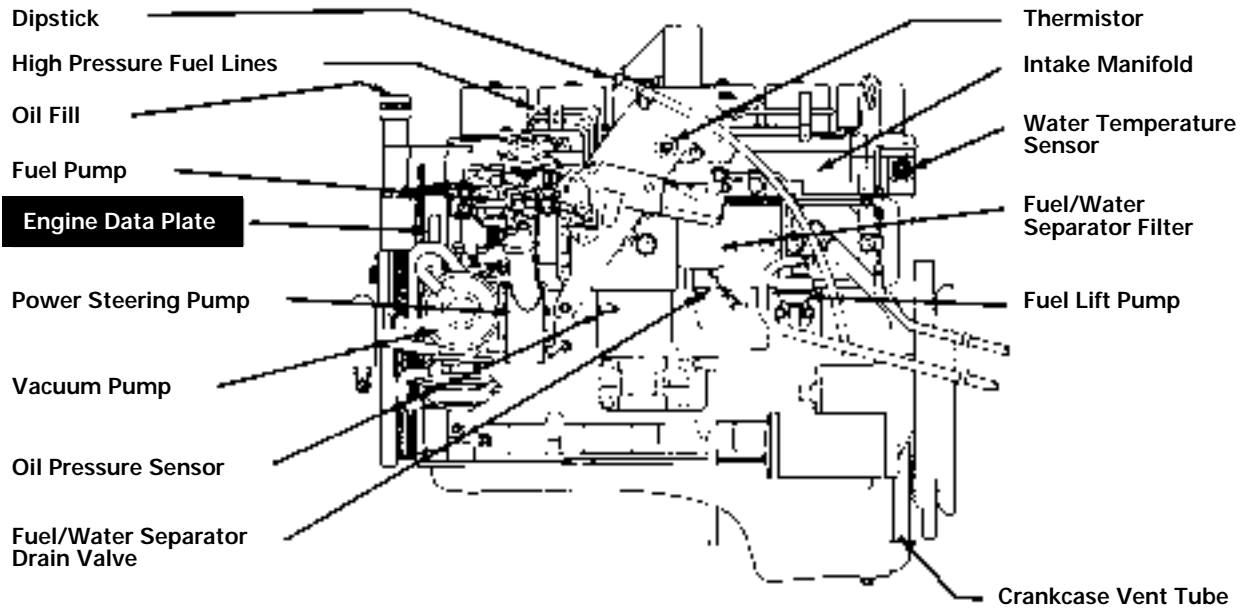
EXCELLENT WARRANTY

All Mopar Cummins Diesel Engine Remanufactured Parts have a 12-month or 100,000-mile limited warranty.

CPL IDENTIFICATION

To help you with product identification, Control Parts Listing (CPL) information is found on the engine data plate. This number will help determine the appropriate DaimlerChrysler replacement part number.

FUEL SIDE OF ENGINE



CPL

D I E S E L E N G I N E S

Below is a helpful matrix identifying which engine parts are included with the reman engine assembly.

MOPAR REMAN ENGINE MATRIX

MODEL YEAR	ENGINE	CYLINDER BLOCK	CYLINDER HEAD(S)	CRANKSHAFT	MAIN & ROD BEARINGS	CONNECTING ROD SET	PISTON, PIN, RINGS SET	CAMSHAFT(S)	VALVES AND SPRINGS	ROCKER ARMS	ROCKER SHAFTS	PUSHRODS	TAPPETS	CYL. HEAD GASKET(S)	VALVE COVER(S) W/GASKETS
COMPLETE ENGINE ASSEMBLIES Refer to page 140 in your Reman Catalog															
1997	R3040141	x	x	x	x	x	x	x	x	x	x	x	x	x	x
1998	R3040141AB	x	x	x	x	x	x	x	x	x	x	x	x	x	x
1998	R3040143AB	x	x	x	x	x	x	x	x	x	x	x	x	x	x
1998	R3040144AB	x	x	x	x	x	x	x	x	x	x	x	x	x	x
1991-89	R4429018	x	x	x	x	x	x	x	x	x	x	x	x	x	x
1993-91 1/2	R4711579	x	x	x	x	x	x	x	x	x	x	x	x	x	x
1995-94	R4711580	x	x	x	x	x	x	x	x	x	x	x	x	x	x
1995-94	R4711581	x	x	x	x	x	x	x	x	x	x	x	x	x	x
1996	R4864331	x	x	x	x	x	x	x	x	x	x	x	x	x	x
1996	R4864332	x	x	x	x	x	x	x	x	x	x	x	x	x	x
LONG BLOCK ASSEMBLIES Refer to page 141 in your Reman Catalog															
2000-98 1/2	R5016374AA	x	x	x	x	x	x	x	x	x	x	x	x	x	x
2001	R5019755AA	x	x	x	x	x	x	x	x	x	x	x	x	x	x
2001	R5019756AA	x	x	x	x	x	x	x	x	x	x	x	x	x	x
SHORT BLOCK ENGINE ASSEMBLIES Refer to page 142 in your Reman Catalog															
1991-89	R4429255	x	x	x	x	x	x							x	
1993-91 1/2	R4713169	x		x	x	x	x								
1995-94	R4761368	x		x	x	x	x								
1998-96	R4864329	x		x	x	x	x								
1998-96	R4864330	x		x	x	x	x								
2000-98 1/2	R5015092AA	x		x	x	x	x								
2001	R5019753AA	x		x	x	x	x								
2001	R5019754AA	x		x	x	x	x								

D I E S E L E N G I N E S

(continued)

MOPAR REMAN ENGINE MATRIX (CONT.)

MODEL YEAR	ENGINE	OIL PUMP	OIL PICK-UP	OIL PAN	WATER PUMP	EXHAUST MANIFOLD	INTAKE MANIFOLD	FUEL INJECTORS	FUEL PUMP	TURBOCHARGER	BLUE/YELLOW PLASTIC CRATE	CARDBOARD BOX	METAL SKID	WOODEN SKID
COMPLETE ENGINE ASSEMBLIES Refer to page 140 in your Reman Catalog														
1997	R3040141	x		x	x	x	x	x	x	x			x	
1998	R3040141AB	x		x	x	x	x	x	x	x			x	
1998	R3040143AB	x		x	x	x	x	x	x	x			x	
1998	R3040144AB	x		x	x	x	x	x	x	x			x	
1991-89	R4429018	x		x	x	x	x	x	x				x	
1993-91 1/2	R4711579	x		x	x	x	x	x	x	x			x	
1995-94	R4711580	x		x	x	x	x	x	x	x			x	
1995-94	R4711581	x		x	x	x	x	x	x	x			x	
1996	R4864331	x		x	x	x	x	x	x	x			x	
1996	R4864332	x		x	x	x	x	x	x	x			x	
LONG BLOCK ASSEMBLIES Refer to page 141 in your Reman Catalog														
2000-98 1/2	R5016374AA	x		x	x		x						x	
2001	R5019755AA	x		x	x		x						x	
2001	R5019756AA	x		x	x		x						x	
SHORT BLOCK ENGINE ASSEMBLIES Refer to page 142 in your Reman Catalog														
1991-89	R4429255												x	x
1993-91 1/2	R4713169										x	x		x
1995-94	R4761368										x	x		x
1998-96	R4864329										x	x		x
1998-96	R4864330										x	x		x
2000-98 1/2	R5015092AA										x	x		x
2001	R5019753AA										x	x		x
2001	R5019754AA										x	x		x

COMPLETE DIESEL ENGINES

FACTORY REMANUFACTURED TO DAIMLERCHRYSLER STANDARDS:

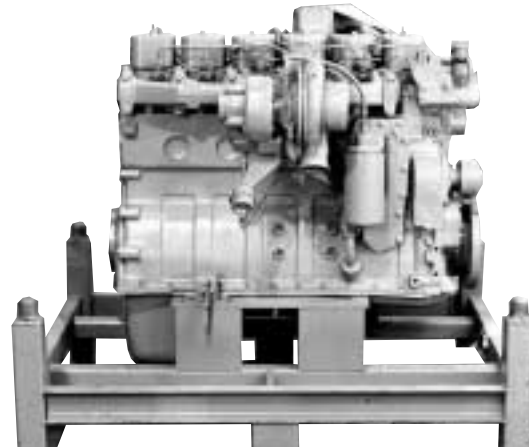
Engine Block, Cylinder Head, Crankshaft, Turbocharger,
Injectors, Water Pump, Connecting Rods, Fuel Pump,
Vibration Damper, and Lube Pump.

COMPLETE ENGINE ASSEMBLY

Same as long block kit and also includes:

REMAN OR NEW

- Exhaust manifold
- Fuel pump
- Injectors
- Turbocharger



CUMMINS-DIESEL APPLICATIONS (COMPLETE ASSEMBLIES)

MODEL YEAR	ENGINE CPL	REMAN PART NO.
COMPLETE ENGINE ASSEMBLIES		
1998	2175 (EPA 215 HP MT)	R3040141AB*
	2174 (EPA 180 HP AT)	R3040143AB*
	2308 (CARB 180 HP MT)	R3040142AB*
	2308 (CARB 180 HP AT)	R3040144AB*
1997	2175 (EPA 215 HP MT)	R3040141
1996	2023 (215 HP MT)	R4864332
	2022 (180 HP AT)	R4864331
1995-94	1550, 1816 (175 HP MT)	R4711581
	1549, 1815, 1959, 1968 (160 HP AT)	R4711580
1993-91 1/2	1351, 1579 (160 HP)	R4711579
1991-89	804 (Non-charge air cooled 160 HP)	R4429018

*Approved for new vehicle warranty usage.

L O N G B L O C K E N G I N E S

FACTORY REMANUFACTURED TO DAIMLERCHRYSLER STANDARDS:

Engine Block, Cylinder Head, Crankshaft, Water Pump,
Connecting Rods, Fuel Pump, Vibration Damper, and Lube Pump.

LONG BLOCK

NEW

- Bearings
- Pistons
- Camshaft and gear
- Tappets

REMAN OR NEW

- Gear cover
- Block
- Crankshaft
- Piston rods
- Valves and springs
- Rocker arms and shafts
- Valve cover
- Lube pump
- Oil pan
- Water pump
- Intake manifold

CUMMINS-DIESEL APPLICATIONS (LONG BLOCK ASSEMBLIES)

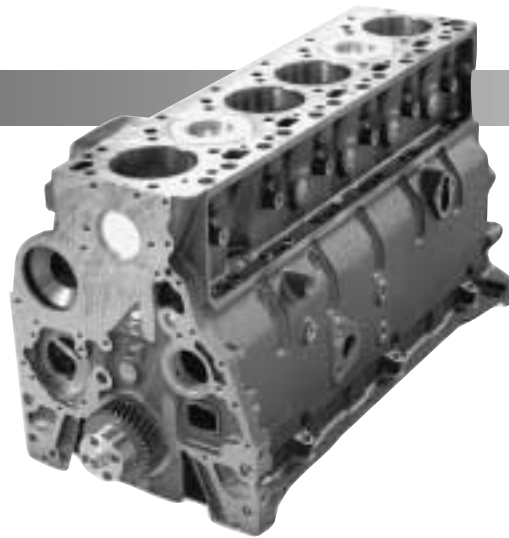
MODEL YEAR	ENGINE CPL	REMAN PART NO.
LONG BLOCK ASSEMBLIES		
2001	2415, 2495, 2906, 2907 (245 HP MT)	R5019756AA*
	2496, 2497, 2865, 2866, 2902, 2903, 2904, 2905 (235 HP)	R5019755AA*
2000-1998 1/2	2024, 2098, 2279, 2280, 2512, 2513, 2514, 2515, 2516, 2517, 2518, 2519, 2616, 2617, 2618, 2619, 2660, 2661, 2662, 2663	R5016374AA*

*Approved for new vehicle warranty usage.

SHORT BLOCK DIESEL ENGINES

KIT CONTAINS:

- Cylinder Block
- Crankshaft and Gear
- Connecting Rods
- Main, Thrust and Rod Bearing Set
- Pistons and Rings
- Camshaft Bushings (Camshaft not included)
- Block Hardware Kit



CUMMINS-DIESEL APPLICATIONS

MODEL YEAR	ENGINE CPL	REMAN PART NO.
2001	2415, 2495, 2906, 2907 (245 HP MT)	R5019754AA*
	2496, 2497, 2865, 2866, 2902, 2903, 2904, 2905 (235 HP)	R5019753AA*
2000-98 1/2	2024, 2098, 2279, 2280, 2513, 2412, 2514, 2515, 2516, 2517, 2518, 2519, 2616, 2617, 2618, 2619, 2660, 2661, 2662, 2663	R5015092AA*
1998-96	2023, 2175 (215 HP)	R4864330*
	1863, 2022, 2174, 2308 (180 HP)	R4864329*
1995-94	1549, 1550, 1815, 1959, 1968	R4761368
1993-91 1/2	1351, 1579	R4713169
1991-89	804	R4429255

*Approved for new vehicle warranty usage.

CONNECTING ROD



- Connecting Rod
- Rod Bushing (1 set)
- Rod Bolts

CUMMINS-DIESEL APPLICATIONS

MODEL YEAR	ENGINE CPL	REMAN PART NO.
2000-98 1/2	2024, 2098, 2279, 2280, 2415, 2495, 2496, 2497, 2512, 2513, 2514, 2515, 2516, 2517, 2518, 2519, 2616, 2617, 2618, 2619, 2660, 2661, 2662, 2663, 2865, 2866 (All 24-Valve Engines)	R5003649AA*
1998-89	804, 1351, 1549, 1550, 1579, 1815, 1816, 1863, 1959, 2022, 2023, 2174, 2175, 2308 (All 12-Valve Engines)	R4761457*

*Approved for new vehicle warranty usage.

D I E S E L C R A N K S H A F T S

KIT CONTAINS:

- Crankshaft
- Crankshaft Gear
- Dowel Pin
- Main, Thrust and Rod Bearings (1 set)



CUMMINS-DIESEL APPLICATIONS

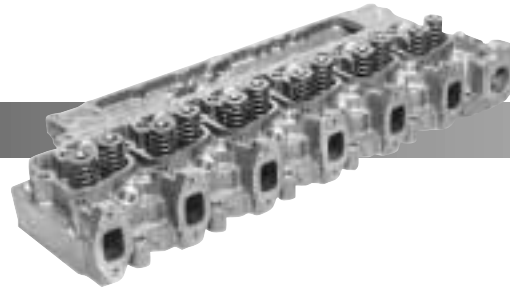
MODEL YEAR	ENGINE CPL	REMAN PART NO.
2001-1998 1/2	2415, 2495, 2496, 2497, 2865, 2866, 2902, 2903, 2904, 2905, 2906, 2907	R4429632*
1998 1/2-89	804, 1351, 1549, 1550, 1579, 1815, 1816, 1863, 1959, 2022, 2023, 2174, 2175, 2308	R4429632*

*Approved for new vehicle warranty usage.

D I E S E L C Y L I N D E R H E A D

KIT CONTAINS:

- Cylinder Head (excludes head gasket)
- Valves
- Springs



CUMMINS-DIESEL APPLICATIONS

MODEL YEAR	ENGINE CPL	REMAN PART NO.
2001-98 1/2	2024, 2098, 2279, 2280, 2496, 2497, 2512, 2513, 2514, 2515, 2516, 2517, 2518, 2519, 2616, 2617, 2618, 2619, 2660, 2661, 2662, 2663, 2865, 2866, 2902, 2903, 2905	R5014202AA*
1998-91 1/2	1351, 1549, 1550, 1579, 1815, 1816, 1863, 1959, 2022, 2023, 2174, 2175, 2308	R4864893*
1991-89	804 (7mm Head Replaces 9mm Head - Requires 7mm Injectors)	R4797177

*Approved for new vehicle warranty usage.

D I E S E L L U B E P U M P

- Lube Pump (complete assembly)
- New Bushings
- New Bearings



CUMMINS-DIESEL APPLICATIONS

MODEL YEAR	ENGINE CPL	REMAN PART NO.
2002-89	804, 1351, 1549, 1550, 1579, 1815, 1816, 1863, 1959, 2022, 2023, 2174, 2175, 2308, 2024, 2098, 2279, 2280, 2512, 2513, 2514, 2515, 2516, 2517, 2518, 2519, 2616, 2617, 2618, 2619, 2660, 2661, 2662, 2663	R5010965AB*

*Approved for new vehicle warranty usage.

Rev. May 2002. Bold items indicate 2002 additions and changes.

D I E S E L T U R B O C H A R G E R S

KIT CONTAINS:

- Turbocharger
- Exhaust Flange Gasket
- Oil Line Gaskets



CUMMINS-DIESEL APPLICATIONS

MODEL YEAR	ENGINE CPL	REMAN PART NO.
2001-00	2415, 2495, 2496, 2497, 2662, 2663, 2904, 2905, 2906, 2907	R5017509AA*
2000-99	2516, 2517, 2518, 2519, 2616, 2617, 2618, 2619, 2660, 2661	R5014203AA*
1998 1/2	2024, 2098, 2279, 2280, 2512, 2513, 2514, 2515	R5010961AA*
1998-96 1/2	1863, 2308 (CARB)	R5010280AA*
1998-96	2023, 2175 (MT)	R5010278AA*
1998-94	1816, 1968, 2022, 2174	R5010276AA*
1995-94	1549, 1550, 1815, 1959	R5010960AA
1993-91 1/2	1351, 1579	R4728700
1991-89	804	R4728036

*Approved for new vehicle warranty usage.

D I E S E L F U E L I N J E C T I O N P U M P



KIT CONTAINS:

- Fuel Pump (complete assembly)
- Mounting Gasket

CUMMINS-DIESEL APPLICATIONS

MODEL YEAR	ENGINE CPL	REMAN PART NO.
2001-00	2415, 2495, 2906, 2907 (245 HP)	R5019657AD*
2001-98	2496, 2497, 2660, 2661, 2662, 2663, 2865, 2866, 2902, 2903, 2904, 2905 (235 HP)	R5019658AD*
1999-98	2024, 2098, 2279, 2280, 2512, 2513, 2514, 2515, 2516, 2517, 2518, 2519, 2616, 2617, 2618, 2619 (235 HP)	R5013925AA*
1998-97	2175 (EPA 215 HP MT)	R4883974AA*
	2174 (EPA 180 HP AT)	R4883973AA*
1998-96 1/2	1863, 2308 (CARB 180 HP)	R4883975AA*
1996	2023 (175 HP MT)	R4882481
	2022 (160 HP AT)	R4882480
1995-94	1550, 1816 (175 HP MT)	R4761367
	1549, 1815, 1959, 1968 (160 HP AT)	R4798548
1993-91 1/2	1351, 1579 (160 HP)	R4728745
1991-89	804 (160 HP)	R4429991

*Approved for new vehicle warranty usage.

D I E S E L F U E L I N J E C T O R K I T

KIT CONTAINS:

- Fuel Injector
- Copper Banjo Seal
- Copper Sealing Washer
- Copper 7 mm to 9 mm Adapter Sleeve (where applicable)



CUMMINS-DIESEL APPLICATIONS

MODEL YEAR	ENGINE CPL	O.E. PART NO.	REMAN PART NO.
2001-98 1/2	2024, 2279, 2496, 2497, 2512, 2514, 2516, 2518, 2616, 2662, 2663, 2865, 2866 (235 HP MT)	5013847AA	R5013847AA*
2000-98 1/2	2098, 2280, 2513, 2515, 2517, 2519, 2617, 2619, 2660, 2661 (215 HP MT)	5013848AA	R5013848AA*
1998-96	2023, 2175 (215 HP)	N/A	R4864328*
	1863, 2022, 2174, 2308 (180 HP)	N/A	R4864325*
1995-94	1550, 1816 (175 HP)	N/A	R4761595
	1549, 1815, 1959, 1968 (160 HP)	4761596	R4761596
1993-91 1/2	1351, 1579 (160 HP)	4638651	R4638651
1991-89	804 (7mm injector tip - supersedes 9mm injector)	4720540	R4720540

*Approved for new vehicle warranty usage.

Rev. May 2002. Bold items indicate 2002 additions and changes.

D I E S E L A L T E R N A T O R S

PRODUCT FEATURES:

- New bearings and brushes
- New slip ring assembly (when necessary)
- New positive and negative heat sinks
- Load tested to DaimlerChrysler specifications
- All other parts are cleaned with an environmentally sound, recyclable Aqueous cleaning system. Inner parts are tested to ensure they meet O.E. specifications



TRUCKS

MODEL YEAR	APPLICATION	RATING	O.E. PART NO.	REMAN PART NO.
1993-90	AD Body w/5.9L Diesel	120-amp	5234374	R5234374

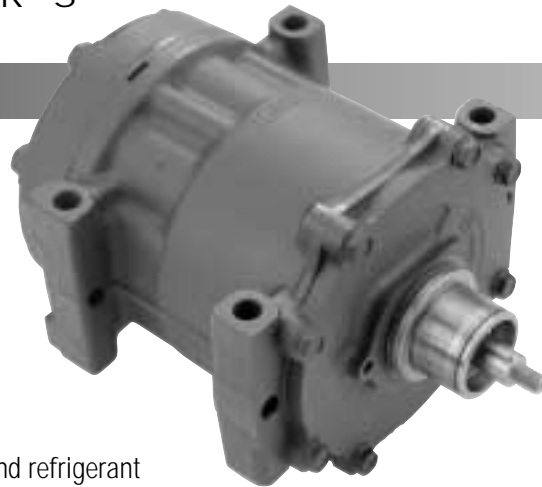
JEEP®

MODEL YEAR	APPLICATION	RATING	O.E. PART NO.	REMAN PART NO.
1990-85	XJ w/2.1L Diesel, w/o AC	60-amp	53002267	JR775028
1986-83	All Bodies w/std. alt. (except 2.1L Diesel)	63-amp	J8134663	JR775004
	All Bodies w/HD alt. (except 2.1L Diesel)	78-amp	J8134664	JR775005

D I E S E L A / C C O M P R E S S O R S

PRODUCT FEATURES:

- Cylinders are gauged and rehone
- Shaft bearings are replaced 100% new
- Reed valves are checked and tested for pressure buildup and vacuum capability
- Compressor is assembled in climate controlled room to control internal dimensional checks, contamination and rust
- Rotational torque of the pump assembly tested 100%
- Each compressor is functionally tested for pumping capacity
- Each compressor is leak tested to maximum leak rate of pound refrigerant loss in 80 years with helium mass spectrometer equipment



TRUCKS

MODEL YEAR	APPLICATION	ENGINE	COMPRESSOR TYPE	O.E. PART NO.	REMAN PART NO.* W/O CLUTCH
1999-94	BR Body	Diesel	SD7H15	55036561 55055339	R7151049
1993-90	AD Body	Diesel w/intercooler	SD709	56004657	R7091003
1991-88	AD Body w/5.9L	Diesel	C171	4428903	R4428903

*Compatible with both R12 and R134a refrigerant.

D I E S E L W A T E R P U M P S

KIT CONTAINS:

- Water Pump
- Gasket



CUMMINS-DIESEL APPLICATIONS

MODEL YEAR	ENGINE CPL	REMAN PART NO.
2001-98 1/2	2024, 2098, 2279, 2280, 2512, 2513, 2514, 2515, 2516, 2517, 2518, 2519, 2616, 2617, 2618, 2619, 2660, 2661, 2662, 2663 (All 24-Valve Engine)	R5010964AA*
1998-89	804, 1351, 1549, 1550, 1579, 1815, 1816, 1863, 1959, 2022, 2023, 2174, 2175, 2308 (All 12-Valve Engine)	R5003665AA*

*Approved for new vehicle warranty usage.

JEEP®

MODEL YEAR	APPLICATION	ENGINE	O.E. PART NO.	REMAN PART NO.
1989-85	XJ Body	2.1L Turbo Diesel	T1461336	JR775056

D I E S E L P O W E R S T E E R I N G P U M P S

KIT CONTAINS:

- New O-rings
- New seals
- New brass seal plate
- New fiber gaskets
- Every remanufactured power steering pump is performance-tested to new O.E. specifications.



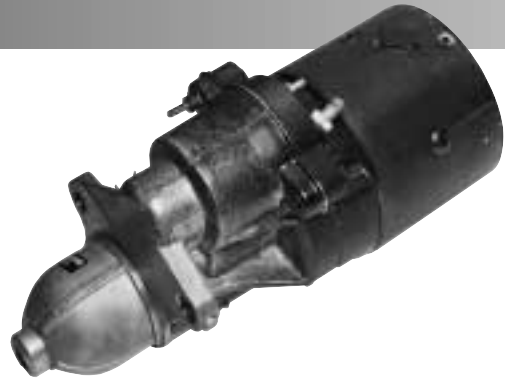
JEEP®

MODEL YEAR	APPLICATION	O.E. PART NO.	REMAN PART NO.
1994-87	XJ Body w/2.1L Diesel	52037567	R2037567

D I E S E L S T A R T E R S

PRODUCT FEATURES:

- New brushes and holders
- New battery posts, copper field coils and noise reduction pads
- New pinion assembly
- New solenoid switch
- New over-running clutch



CUMMINS-DIESEL APPLICATIONS

MODEL YEAR	CPL	REMAN PART NO.
2001-94	1549, 1550, 1815, 1816, 1863, 1959, 2022, 2023, 2174, 2175, 2308, 2024, 2098, 2279, 2280, 2512, 2513, 2514, 2515, 2516, 2517, 2518, 2519, 2616, 2617, 2618, 2619, 2660, 2661, 2662, 2663, 2495, 2496, 2497, 2865, 2866, 2902, 2903, 2904, 2905, 2906	R4741012*
1993-89	804, 1351, 1579	R4428221AB

*Approved for new vehicle warranty usage.

PRODUCT FEATURES:

- Extensive product testing for leakage, current draw, internal and external leakage, maximum pressure and voltage
- All parts thoroughly inspected, cleaned, or replaced

100% NEW PARTS:

Rubber O-rings, Gaskets, Sender Cards, Filters, Return Valves



TRUCKS

MODEL YEAR	APPLICATION	O.E. PART NO.	REMAN PART NO.
1997-96	BR Body, 5.9L Turbo Diesel	4798671	R4798671
1995	BR Body, 5.9L Turbo Diesel	4864209	R4864209
1994	BR Body, 5.9L Turbo Diesel	4864735	R4864735

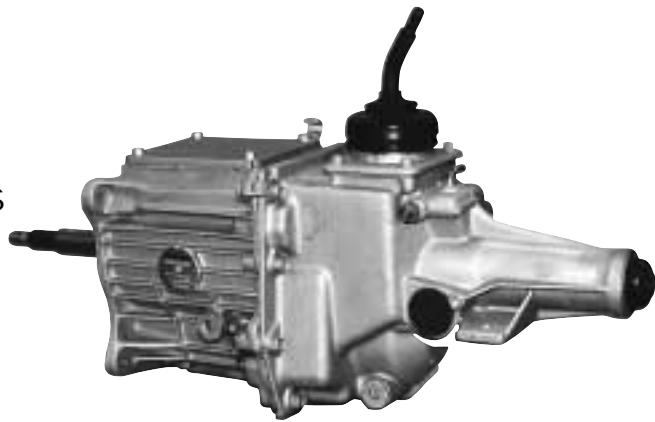
D I E S E L R W D A U T O M A T I C T R A N S M I S S I O N S



TRUCKS

MODEL YEAR	APPLICATION	TRANS.	ENGINE	O.E. PART NO.	REMAN PART NO.
1999-98	BE, BR Body 4x2	47RE	5.9L Diesel	5013628AA	R5013628AA
	BE, BR Body 4x4	47RE	5.9L Diesel	5013630AA	R5013630AA
1997-96	BR Body 4x2	47RE	5.9L Diesel	4883742AA	R4883742AA
	BR Body 4x4	47RE	5.9L Diesel	4883744AA	R4883744AA
1995-94	BR Body 4x2	47RH	5.9L Diesel	52119157	R2119157
	BR Body 4x4	47RH	5.9L Diesel	52119158	R2119158
1993-91	AD Body 4x2	47RH	5.9L Diesel	5014728AA	R5014728AA
	AD Body 4x4	47RH	5.9L Diesel	5014729AA	R5014729AA

D I E S E L M A N U A L T R A N S M I S S I O N S



TRUCKS & VANS

MODEL YEAR	APPLICATION	TRANS.	ENGINE	O.E. PART NO.	REMAN PART NO.
1991-88	Getrag 5-Speed	2WD	5.9L Diesel	53006590	R3006590
1991-88	Getrag 5-Speed	4WD	5.9L Diesel	53006591	R3006591

TRANSMISSION COVER

MODEL YEAR	APPLICATION	TRANS.	ENGINE	O.E. PART NO.	REMAN PART NO.
1993-88	Getrag Trans. Cover 5-Speed, Cummins-Diesel	2, 4WD	All	4740035	R4740035

D I E S E L T O R Q U E C O N V E R T E R S



PRODUCT FEATURES:

- Remanufactured to the most current design levels - meets O.E. specifications
- Remanufactured to a level high enough to qualify for warranty replacement
- Remanufactured with O.E. replacement components, including Vector balancing on lock-up style units



TRUCK

MODEL YEAR	APPLICATION	O.E. PART NO.	REMAN PART NO.
12.2"			
2001-97	BR, BE Bodies w/5.9L Turbo Diesel	52118868	R2118868*
1996-94	BR, BE Bodies w/5.9L Turbo Diesel	52117644	R2117644

*Approved for new vehicle warranty usage.

D I E S E L T R A N S F E R C A S E S

PRODUCT FEATURES:

- All remanufactured transfer cases are disassembled and thoroughly cleaned
- Each O-ring, gasket and seal is replaced with O.E. replacement parts
- Individual parts are carefully inspected to ensure that they meet O.E. standards
- Any components that fail to meet O.E. standards are replaced with O.E. replacement parts
- Each transfer case is tested to O.E. specifications on a computer-controlled dynamometer and all remanufactured transfer cases incorporate the latest product updates



TRUCKS

MODEL YEAR	VEHICLE APPLICATION	TRANS.	ENGINE	MODEL	O.E. PART NO.	REMAN PART NO.
1999-98	BR, BE Bodies	MT	5.9L Diesel	241	52105024	R2105024
1997-96	BR Body	AT	5.9L Diesel	241-HD	52098153 52105093	R2098153
1997-95	BR Body	MT	5.9L Diesel	241-HD	52098512 52098534 52098678 52105092	R2098678

JEEP®

MODEL YEAR	VEHICLE APPLICATION	TRANS.	ENGINE	MODEL	O.E. PART NO.	REMAN PART NO.
1998-96	XJ Body	All	2.5L Turbo Diesel	231	52098480/52099212	R2099212
1998-96	ZG Body	All	2.5L Diesel	231	52098469/52099120	R2099120
1998-95	XJ Body	MT	2.5L Turbo Diesel	231	52098661/520098913	R2098913
1995-91	XJ Body	MT	2.1L Diesel	231	52094533/52097888 82098486	R2098486

ELECTRONIC CONTROL MODULES

PRODUCT FEATURES:

- Mounts to engine block
- Contains engine, performance and emissions calibrations



CUMMINS-DIESEL ELECTRONIC CONTROL MODULES

MODEL YEAR	ENGINE CPL	O.E. PART NO.	REMAN PART NO.**
2001*	2415 (EPA 245 HP MT)	333032305J	R33032305J
2001*	2495 (CARB 245 HP MT)	373930304J	R73930304J
2001*	2496 (EPA 235 HP MT)	333033306J	R33033306J
2001*	2497 (CARB 235 HP MT)	373931305J	R73931305J
2001*	2865 (EPA 235 HP AT)	333030307J	R33030307J
2001*	2866 (CARB 235 HP AT)	373932306J	R73932306J
2001	2902 (EPA 235 HP AT)	383237303J	R83237303J
2001	2903 (CARB 235 HP AT)	383238303J	R83238303J
2001	2904 (EPA 235 HP MT)	383239302J	R83239302J
2001	2905 (CARB 235 HP MT)	383330302J	R83330302J
2001	2906 (EPA 245 HP MT)	383331302J	R83331302J
2001	2907 (CARB 245 HP MT)	383332302J	R83332302J
2000	2660 (EPA 215 HP AT)	353339304J	R53339304J
2000	2661 (CARB 215 HP AT)	353430304J	R53430304J
2000	2662 (EPA 235 HP MT)	353431304J	R53431304J
2000	2663 (CARB 235 HP MT)	353432304J	R53432304J
1999	2516, 2616 (EPA 235 HP MT)	323639306J	R23639306J
1999	2517, 2617 (EPA 215 HP AT)	323730306J	R23730306J
1999	2518, 2618 (CARB 235 HP MT)	323638306J	R23638306J
1999	2519, 2619 (CARB 215 HP AT)	323637306J	R23637306J
1998 1/2	2024, 2512 (EPA 235 HP MT)	333036304J	R33036304J
1998 1/2	2098, 2513 (EPA 215 HP AT)	333037304J	R33037304J
1998 1/2	2279, 2514 (CARB 235 HP MT)	333034304J	R33034304J
1998 1/2	2280, 2515 (CARB 215 HP AT)	333035304J	R33035304J

*Early production sold first half of 2000 calendar year.

**All are approved for new vehicle warranty usage.

D I E S E L S I N G L E B O A R D E N G I N E C O N T R O L L E R S (S B E C)

PRODUCT FEATURES:

- Preprogrammed, digital computer - adjusts air-fuel ratios, ignition timing, and alternator charge rate for optimal performance
- Self tests many input and output circuits
- Faults stored in memory - accessed by Diagnostic Readout Box II



TRUCKS

MODEL YEAR	APPLICATION	TRANS.	O.E. PART NO.	REMAN PART NO.
1995	BR Body w/5.9L Diesel, 50-State RF1	AT(4-speed)	56028336	R6028336
1994	BR Body w/5.9L Diesel All	AT(4-speed)	56027304	R6027304
1993	AD Body w/5.9L Diesel, 50 States	MT	56029101	R6029101

D I E S E L H E A T E R C O N T R O L M O D U L E

CUMMINS-DIESEL

MODEL YEAR	APPLICATION	O.E. PART NO.	REMAN PART NO.
1995-89	AD Body w/5.9L Diesel	4429546	R4429546

Mopar offers a full

line of remanufactured engine and transmission controllers for Chrysler, Dodge, Jeep and Plymouth vehicles dating back to 1978:

- Single Board Electronic Controllers (SBEC)
- Single Module Engine Controllers (SMEC)
- Electronic Engine Controllers (FENIX)
- Spark Control Computers (SCC)
- Electronic Automatic Transaxle Controllers (EATXII)

Why Mopar remanufactured engine controllers?

Quality – All Mopar remanufactured controllers are returned to original equipment specifications and include the latest engineering upgrades.

Testing – Following the remanufacturing process, Mopar controllers are subjected to a barrage of quality assurance tests to assure reliability and durability.

Value – Owners of older vehicles are looking for cost-effective ways to keep their cars and trucks on the road. Mopar remanufactured controllers represent a significant cost savings compared with new units. Give your customers Mopar quality at truly competitive prices.

Warranty – All Mopar controllers are covered by Mopar's 12-month/12,000-mile nationwide limited warranty.

Convenience/Availability – There's no searching for the right part. Mopar remanufactured controllers are available at more than 4400 Chrysler, Dodge and Jeep dealerships nationwide.

Hey, being a control freak isn't all bad – especially when it comes to doing the job right the first time. Don't settle for second best. Depend on genuine Mopar remanufactured engine and transaxle controllers.

Are You A

Freak?

Go ahead, admit it. You want everything just right when you repair your customers' vehicles: the **right products, the right repair job, the right price** and the best overall value. That just makes good business sense.

That's why you should depend on **Mopar** remanufactured engine controllers.



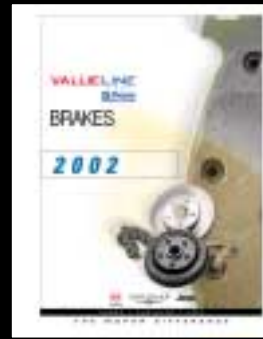
Value Line products from Mopar



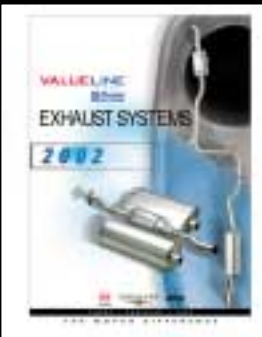
Value Line Batteries
OOPM3715



Value Line Belts & Hoses
OOPM3716



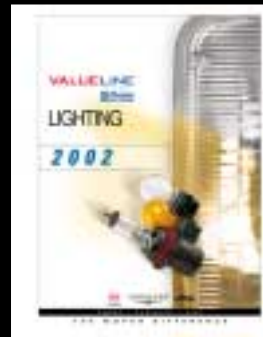
Value Line Brakes
OOPM3717



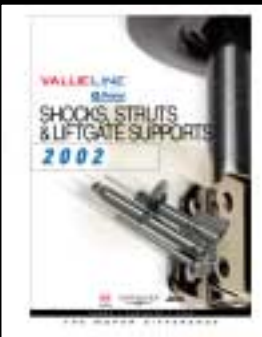
Value Line Exhaust
OOPM3703



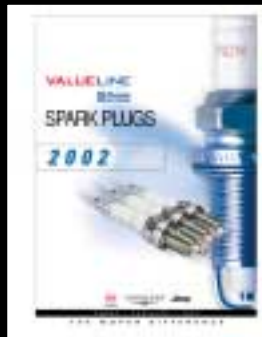
Value Line Filters
OOPM3718



Value Line Lighting
OOPM3719



Value Line Shocks & Struts
OOPM3720



Value Line Spark Plugs
OOPM3721



Value Line Wiper Blades
OOPM3722



Visit us today at www.mopar.com for more information